

C 730

**STEREO
RECEIVER**

C 730

**STEREO
RECEIVER**



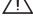
SERVICE MANUAL

NAD

SERVICE SAFETY PRECAUTIONS

1. Replacing the fuses

CAUTION: FOR CONTINUED PROTECTION AGAINST THE RISK OF FIRE REPLACE ONLY WITH SAME TYPE OF FUSE.

Reference No	Part Number	Description
M151 *AH 	5120-0037-0	FU T3.15A 250V UL/CSA 5X20MM
M152 *C 	5100-2530-1B	T2.5A/250V IEC
M154 *AH 	5120-0052-0	FUSE T1.6A 250V 5X20MM UL/CSA

NOTE:


<*AH > : USA, CANADIAN MODEL ONLY.

<*C > : EUROPEAN MODEL ONLY.

2. Safety check out

(Only U.S.A. model)

Before returning the product to the customer, make leakage current or resistance measurements to determine that exposed parts are acceptably insulated from the supply circuit.

Parts marked with the symbol  are critical with regard to the risk of fire and electric shock. Replace only with parts recommended by the manufacturer.

CONTENTS

DESCRIPTION	PAGE
SPECIFICATIONS3-4
REAR PANEL / FRONT PANEL5
DISASSEMBLY INSTRUCTIONS6
BLOCK DIAGRAM7
WIRING DIAGRAM8
ADJUSTMENT POINTS DIAGRAM9
INSTRUMENT SETUP10
ALIGNMENT PROCEDURES10-11
IMPORTANT NOTES11
PCB LAYOUT12-14
SCHEMATIC DIAGRAM15-19
IC BLOCK DIAGRAM20-23
ELECTRICAL PARTS LIST24-33
EXPLODED VIEW34
EXPLODED VIEW PARTS LIST35-36
PACKING DIAGRAM37

SPECIFICATIONS

POWER AMPLIFIER SECTION

- Rated Distortion
(THD 20Hz-20KHz, 30W, 8 ohm) $\leq 0.08\%$
(THD 1KHz, 30W, 4 ohm) $\leq 0.1\%$
- Input Sensitivity (ref. 30W 8 ohm, 1KHz) **350+/-30mV**
- S/N Ratio (A-wtd, 1K ohm, 500mV CD in, 1KHz) $\geq 85\text{dB}$
- Frequency Response (500mV CD in, 1W, 20Hz-20KHz) **0 \pm 0.8dB**
- Channel Balance
Volume maximal output 30W (ref), 1KHz $\leq 1\text{dB}$
1dB to -40dB, 1KHz $\leq 2\text{dB}$
-41dB to -50dB, 1KHz $\leq 3\text{dB}$
- Audio Muting at 1KHz $\geq 52\text{dB}$
- Headphone Output in 0.1% (600 ohm load, 500mV CD in, 1KHz) $\geq 10\text{V}$
- Crosstalk (2V input, 10W, 1KHz) $\leq 63\text{dB}$

PRE - AMPLIFIER SECTION

- Rated Distortion (THD, 2V CD input, 4V output, 1KHz) $\leq 0.08\%$
- Frequency Response (500mV CD in, 20Hz-20KHz) **0 \pm 0.08dB**
- S/N Ratio (A-wtd, 500mV CD in, 1KHz) $\geq 85\text{dB}$
- Tone Control Response
Bass (500mV in, 1W out, 100Hz) boost / cut **9 \pm 2dB**
Treble (500mV in, 1W out, 10KHz) boost / cut **9 \pm 2dB**

AM TUNER SECTION

Frequency Range:	AH	530 - 1710 KHz	Step	10 KHz
	C	531 - 1602 KHz	Step	9 KHz

Input level is expressed as the reading in open-circuit of 75-ohm source impedance signal generator.

- Usable Sensitivity (999/1000KHz) $\leq 30\text{dB}\mu\text{V}$
- S/N Ratio (5mV input) $\geq 38\text{dB}$
- THD (5mV input) $\leq 3\%$
- IF Rejection (450KHz) $\geq 36\text{dB}$
- Image Rejection (F+2xIF) $\geq 28\text{dB}$
- Selectivity $\geq 17\text{dB}$
- Output **130mV \pm 26mV**
- Loop Sensitivity (20dB S/N) 999/1000KHz $\leq 66\text{dB}$
603/600KHz $\leq 66\text{dB}$
1404/1400KHz $\leq 66\text{dB}$
- Frequency Response (100-2.3KHz, 5mV) **0 \pm 6dB**

FM TUNER SECTION

Frequency Range:	AH	87.5 - 108 MHz	Step	50 KHz
	C	87.5 - 108 MHz	Step	50 KHz

Input level is expressed as the reading in open-circuit of 75-ohm source impedance signal generator.

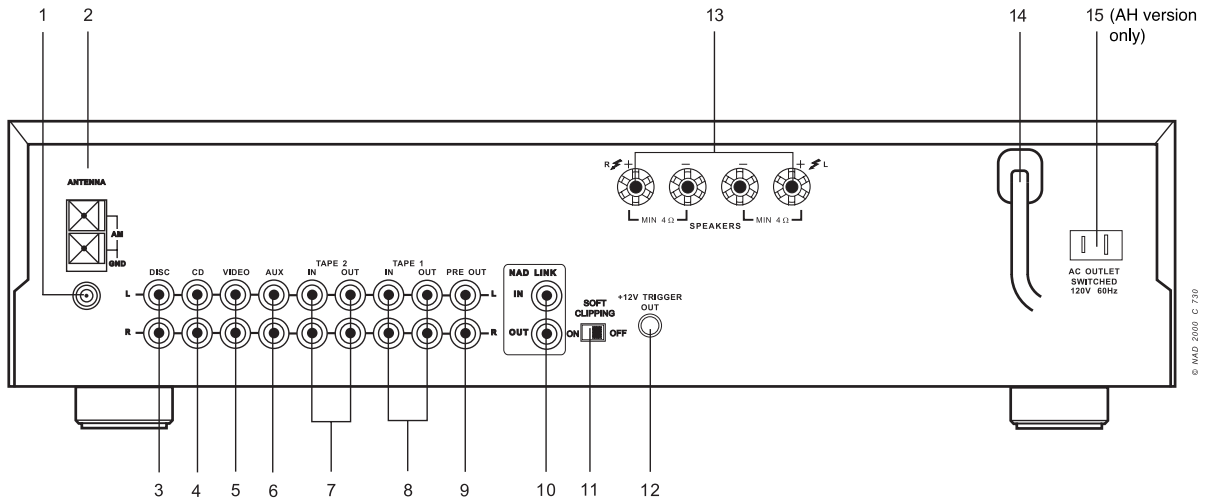
		<u>*C</u>	<u>*AH</u>
1. Usable Sensitivity (Mono, 98MHz)		≤15dBμ	≤15dBμ
2. S/N Ratio (60dBμ, IHF wtd)	Mono	≥72dB	≥72dB
	Stereo	≥66dB	≥66dB
3. THD (60dBμ, L=R, 75KHz Dev. for AH, 40KHz Dev. for C)			
	Mono	≤0.3%	≤0.3%
	Stereo	≤0.35%	≤0.35%
4. IF Rejection (10.7MHz)		≥78dB	≥65dB
5. Image Rejection (119.4MHz)		≥85dB	≥85dB
6. Capture Ratio (40dBμ)		≤3dB	≤3dB
7. AM Suppression (60dBμ, 100%mod FM, 30%mod AM)		≥48dB	≥48dB
8. Pilot Suppression (60dBμ)		≥60dB	≥60dB
9. Frequency Response (60dBμ, 20Hz - 15KHz in, 75μS for AH, 50μS for C and Japan)		0±1.5dB	0±1.5dB
10. Channel Separation (60dBμ, IHF wtd)	100Hz	≥30dB	≥30dB
	1KHz	≥38dB	≥38dB
	10KHz	≥30dB	≥30dB
11. Alternate Channel Selectivity (±400KHz, IHF)		≥60dB	≥45dB
12. Muting Level		18±3dBμ	18±3dBμ
13. Output		750mV±150mV	500mV±100mV
14. Blend on Separation (60dBμ IHF wtd)		6±2dB	6±2dB
15. RDS Decode Sensitivity		≤26dBμ	≤26dBμ
16. Auto-search Sensitivity	OFF	≤15dBμ	≤15dBμ
	ON	≤24dBμ	≤24dBμ

PHYSICAL SPECIFICATIONS

Dimensions (Width x Height x Depth)	435 x 109 x 305 mm
Net weight	7.2 kg (15.87 lbs)
Shipping weight	9.2 kg (20.5 lbs)

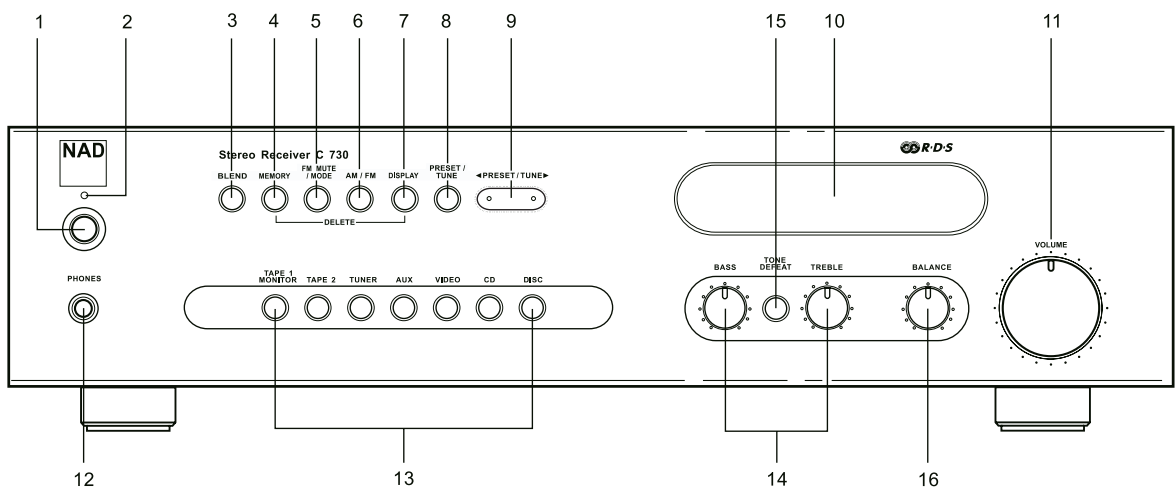
REAR PANEL / FRONT PANEL

REAR PANEL



- | | |
|-------------------|--|
| 1. FM ANTENNA | 9. PRE OUT |
| 2. AM ANTENNA | 10. NAD-LINK IN, OUT |
| 3. DISC INPUT | 11. SOFT CLIPPING |
| 4. CD INPUT | 12. 12V TRIGGER OUT |
| 5. VIDEO INPUT | 13. SPEAKERS |
| 6. AUX INPUT | 14. AC LINE CORD |
| 7. TAPE 2 IN, OUT | 15. SWITCHED AC OUTLET (AH version only) |
| 8. TAPE 1 IN, OUT | |

FRONT PANEL



- | | |
|-----------------------|--------------------------|
| 1. POWER ON / OFF | 9. PRESET / TUNE ◀ AND ▶ |
| 2. STAND-BY INDICATOR | 10. DISPLAY AREA |
| 3. BLEND | 11. VOLUME |
| 4. MEMORY | 12. HEADPHONE SOCKET |
| 5. FM MUTE / MODE | 13. INPUT SELECTORS |
| 6. AM / FM | 14. BASS & TREBLE |
| 7. DISPLAY | 15. TONE DEFEAT |
| 8. PRESET / TUNE | 16. BALANCE |

DISASSEMBLY INSTRUCTIONS

1. Remove machine screws M 4.0 x 6.0 (① to ④) from the side panels.
Remove tapping screw 3.0 x 8.5 (⑤) from the back panel.
Refer to **Figure No.1**.

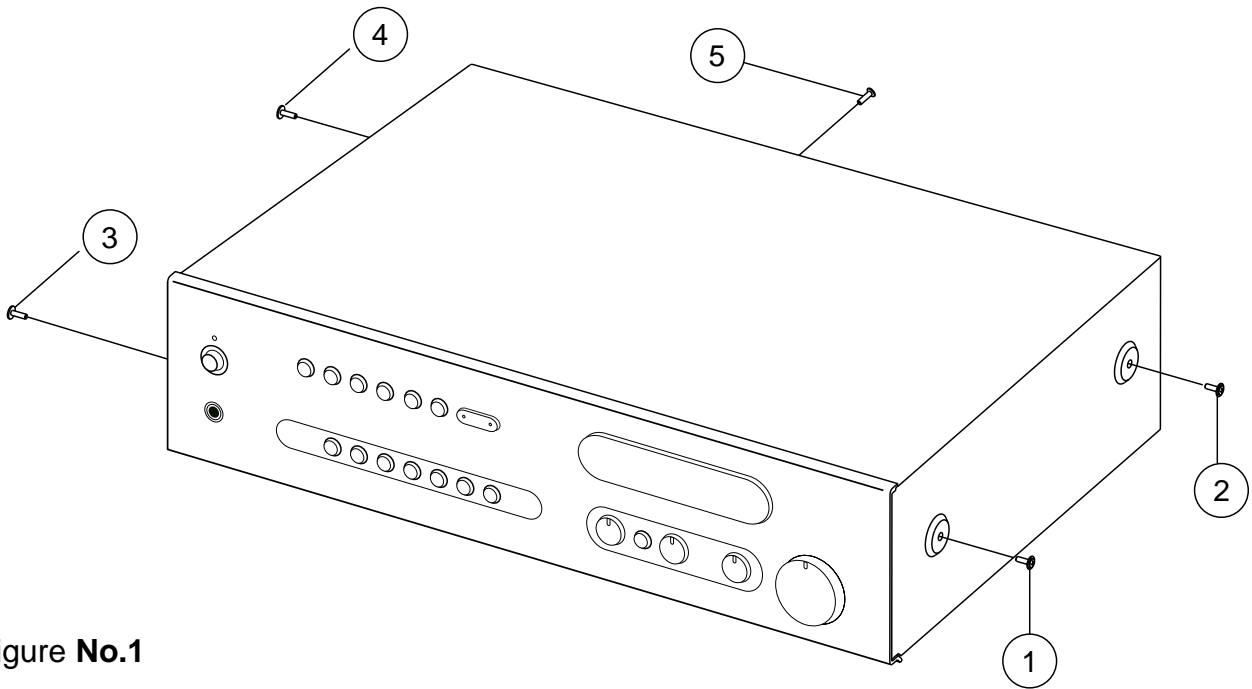


Figure No.1

2. Pull both sides of the TOP COVER slightly outwards (⑥) and tilt approx. 35° and then remove in the direction as indicated by the arrow (⑦). Refer to **Figure No.2**.

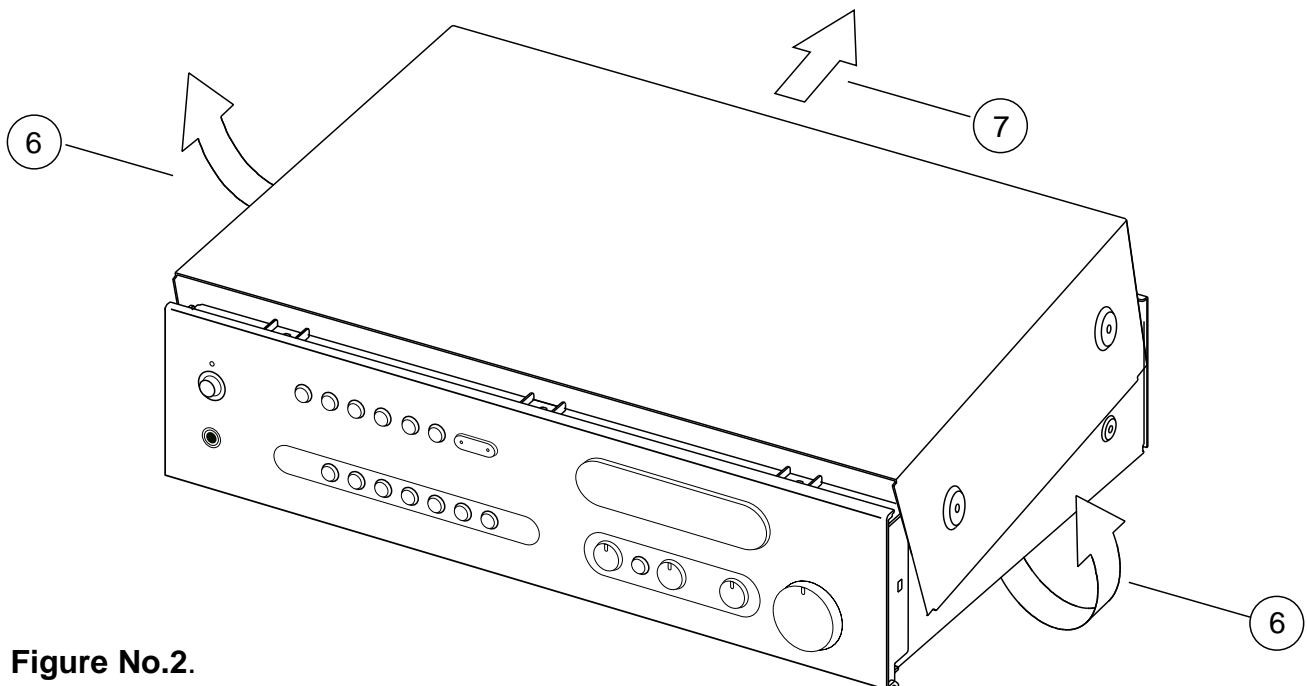
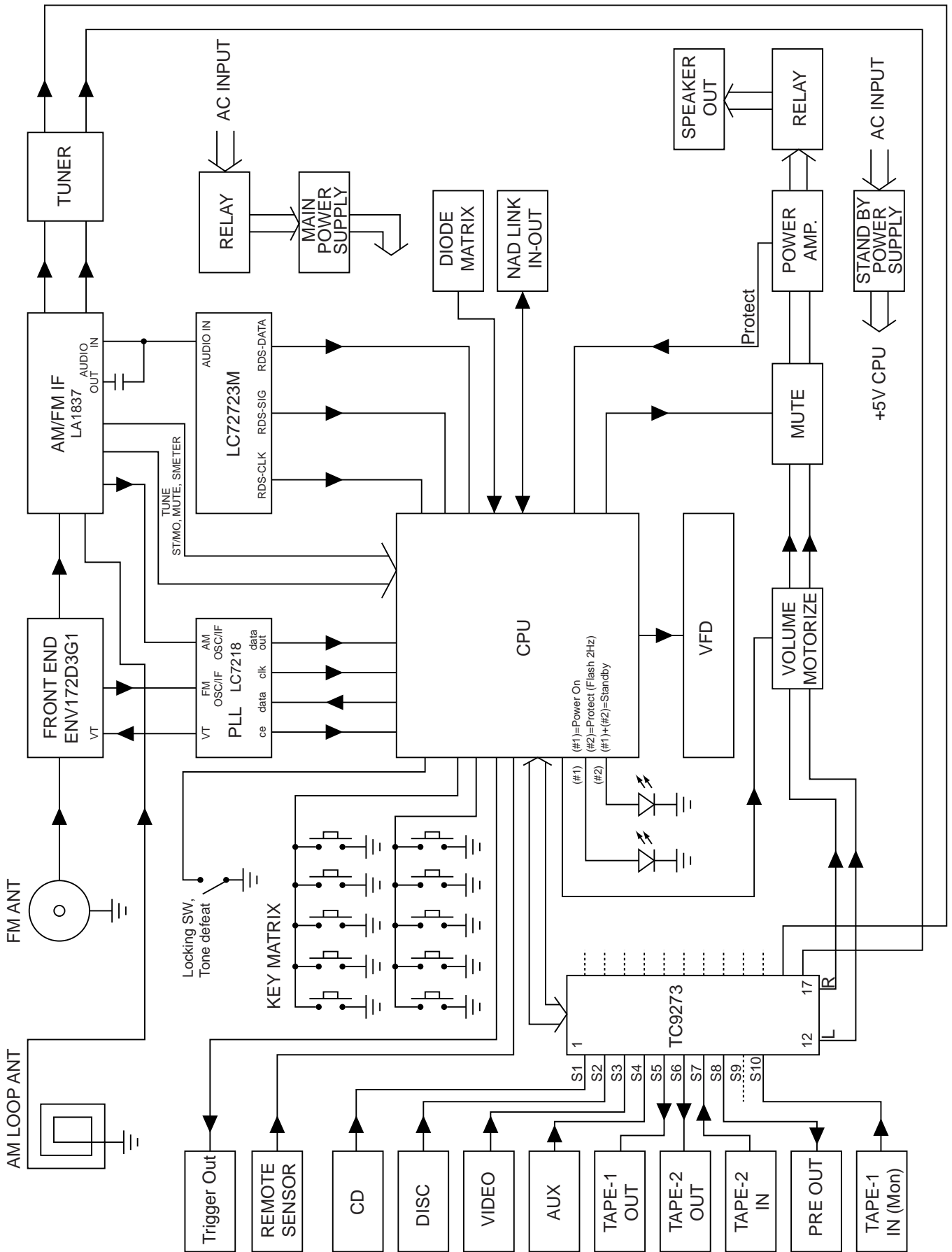
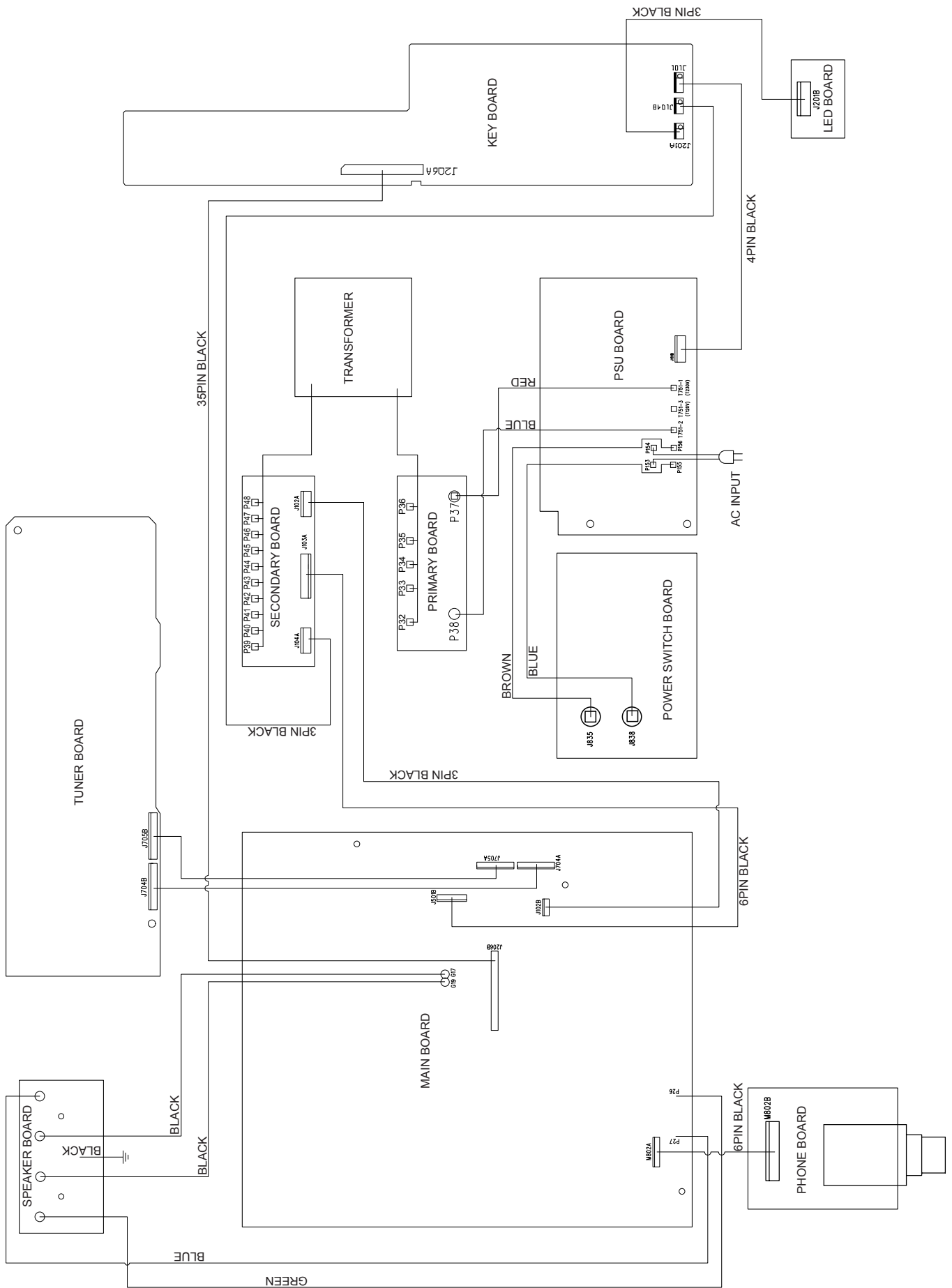


Figure No.2.

BLOCK DIAGRAM

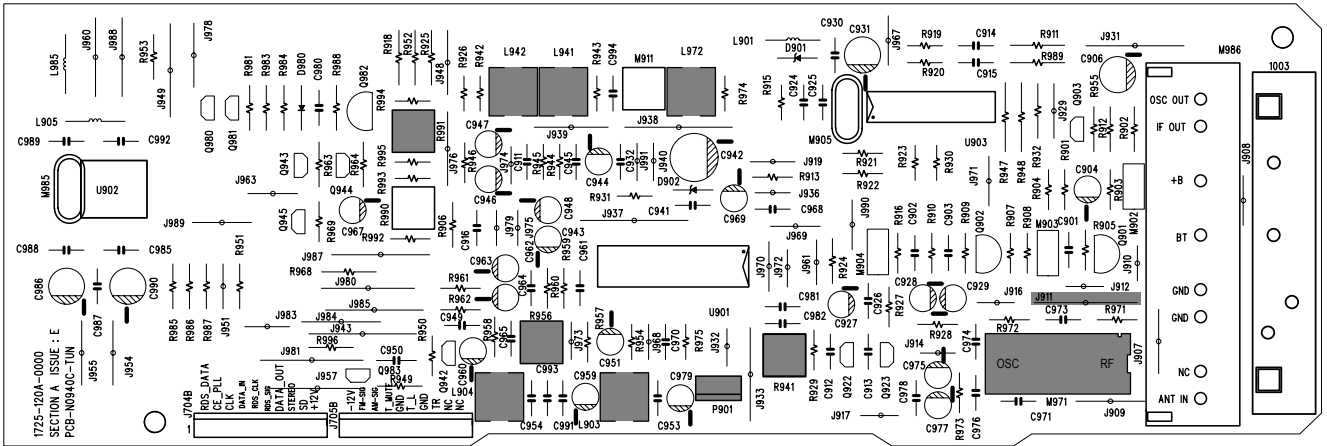


WIRING DIAGRAM

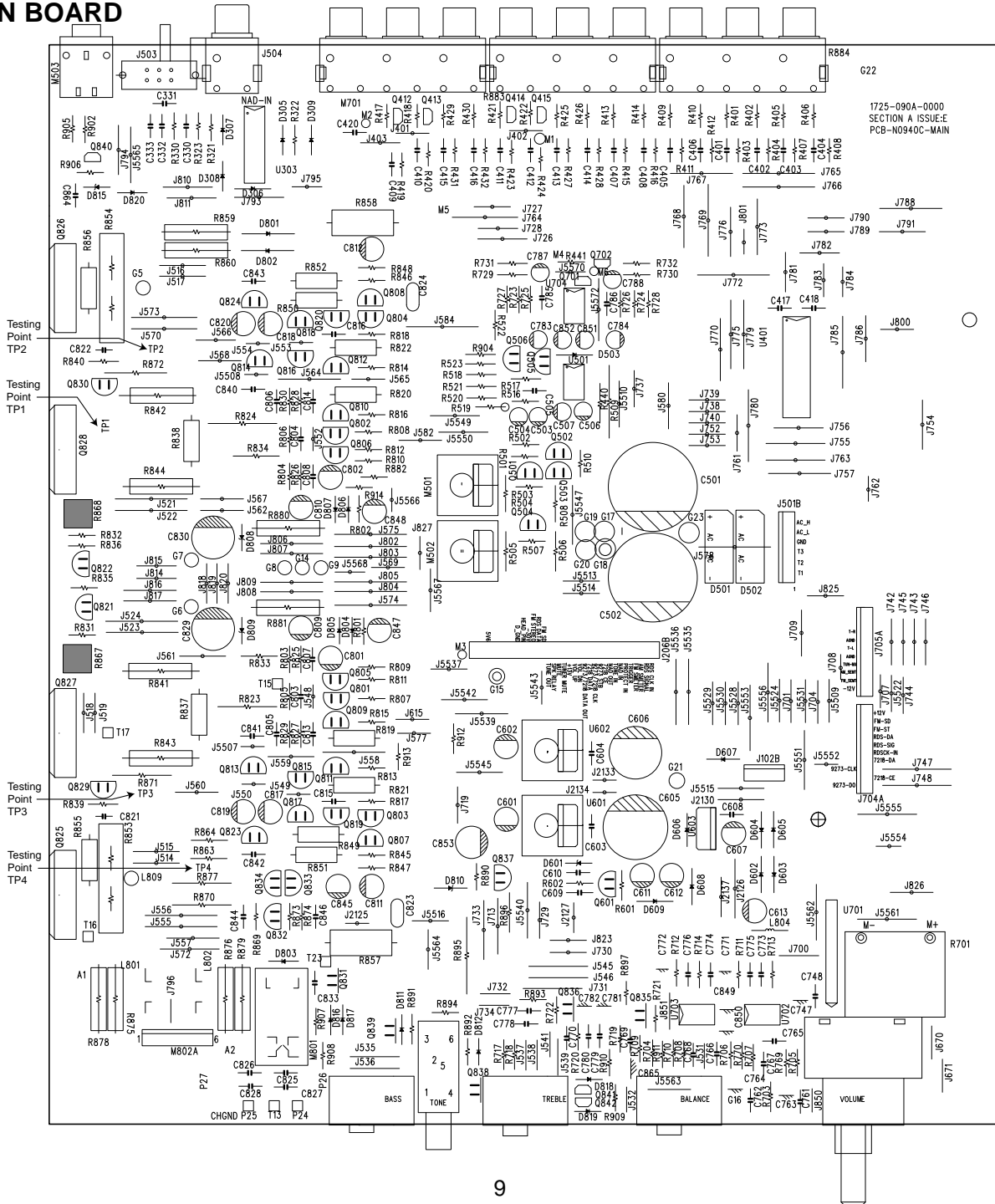


ADJUSTMENT POINTS DIAGRAM

1. TUNER



2. MAIN BOARD



INSTRUMENT SETUP

1. FM MEASUREMENT

Fig. 1

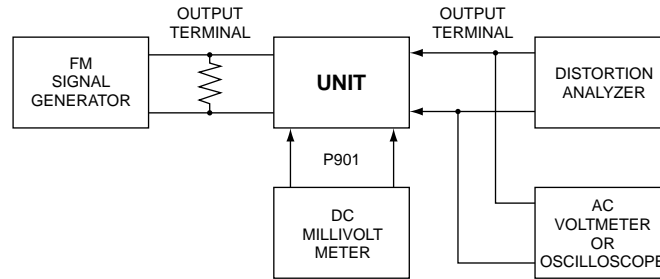
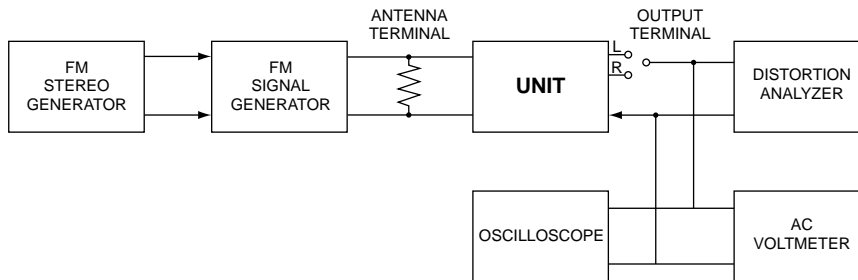
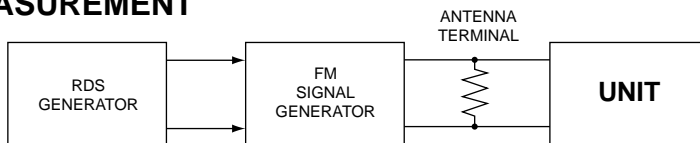


Fig. 2



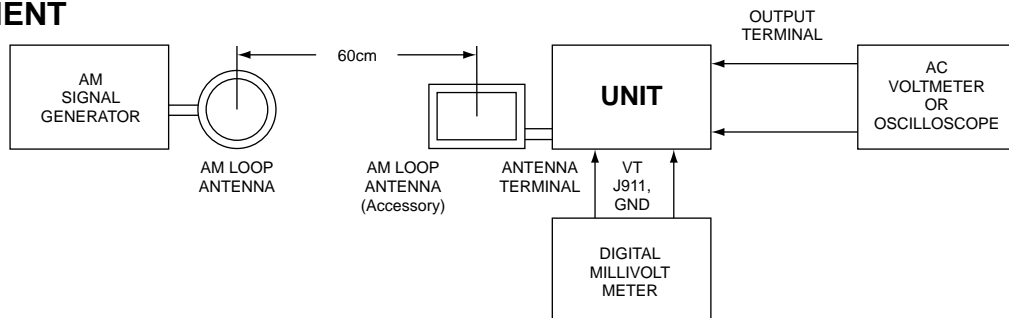
2. RDS MEASUREMENT

Fig. 3



3. AM MEASUREMENT

Fig. 4



ALIGNMENT PROCEDURES

AMPLIFIER SECTION

Step	Item	Connection	Adjustment	Adjust for
1	Left Channel	Voltmeter to TP1, TP2 on Amp Board	R868	2mV±0.2mV
2	Right Channel	Voltmeter to TP3, TP4 on Amp Board	R867	2mV±0.2mV

FM/RDS SECTION

INPUT

- FM mono: 1kHz, 75kHz devi., 60dB/μV
 - FM stereo: 1kHz, 67.5kHz devi., 60dB/μV
 Pilot signal 19kHz 7.5kHz devi.

OUTPUTS

- Connect the non-inductive type resistor of 8 ohms to all speaker terminals otherwise noted.

Item	Step	Connection of instrument	FM SG output	Stereo modulator output	Tuning frequency	Output indicator	Adjustment point	Adjust for	Remarks
FM IF/RF	1	Fig.1	99.0MHz 1kHz 75kHz devi. 65dBf (60dB)	-	99.0MHz	DC voltmeter	L941	0±100mV	FM MUTE/MODE switch: ON/AUTO Repeat the steps 1 to 3 until no further adjustment is necessary.
	AC voltmeter					IFT on the front end	Maximum		
	Distortion analyzer					L942	Minimum		
Stereo Distortion		Fig.2	99.0MHz Ext. mod. 65dBf (60dB)	Channel L or R 1kHz	99.0MHz	Distortion analyzer	IFT on the front end	Minimum	FM MUTE/MODE switch: ON/AUTO Don't turn more than +/-180°
Stereo Separation		Fig.2	99.0MHz Ext. mod. 65dBf (60dB)	Channel L or R 1kHz	99.0MHz	Oscilloscope	R956	Maximum separation	Repeat stereo distortion and stereo separation alignment until THD at minimum and separation at maximum.
Muting Level		Fig.1	99.0MHz 18dB	-	99.0MHz	Oscilloscope	R941	Signal output	Adjust such that output just unmute
Pilot Suppression		Fig.2	99.0MHz mod.65dBf(60dB)	Channel L or R pilot on signal	99.0MHz	VTVM	L903 FOR L L904 FOR R	MIN	
Signal Strength Indicator		Fig.1	99.0MHz 1KHz 75KHz devi 33dBμ	-	99.0MHz	VFD Signal Bars	R991	7 bars just lit	
RDS		Fig.3	99.0MHz mod. 65dBf(60dB) RDS 2% MOD	-	99.0MHz	-	-	-	Decode the RDS-program station

AM SECTION

AM Modulation: 400Hz, 30%
 For AH Version

Step	AM SG output	Tuning frequency	Output indicator	Adjustment point	Adjust for
1	-	530kHz	Digital DC voltmeter	OSC coil on RF block M971	1.35±0.2V
2	600kHz 400Hz 30% mod. 60dB/m	600kHz	AC voltmeter	RF coil on RF block M971	Maximum
3	600kHz 400Hz 30% mod. 60dB/m	990kHz	AC voltmeter	L972	Maximum

For C Version

Step	AM SG output	Tuning frequency	Output indicator	Adjustment point	Adjust for
1	-	522kHz or 531kHz	Digital DC voltmeter	OSC coil on RF block M971	1.3±0.2V (522kHz) 1.35±0.2V (531kHz)
2	600kHz 400Hz 30% mod. 60dB/m	603kHz	AC voltmeter	RF coil on RF block M971	Maximum
3	600kHz 400Hz 30% mod. 60dB/m	999kHz	AC voltmeter	L972	Maximum

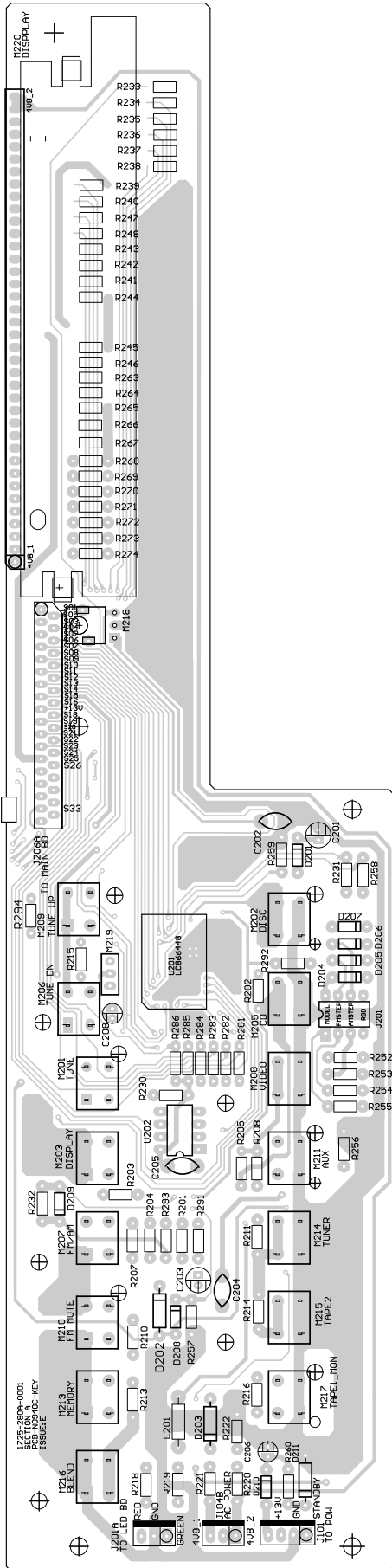
IMPORTANT NOTES

- Show the software version**
Press "PRESET/TUNE" and "TUNE UP".
- Light UP all the icon on the VFL**
Press "PRESET/TUNE" and "TUNE DOWN".
- CPU Resets**
Press "PRESET/TUNE" and "TUNE DOWN" and any one key.
- AM Step 10K/9K Change**
Add or delete the AM step jumper - J201 in the key PCB.

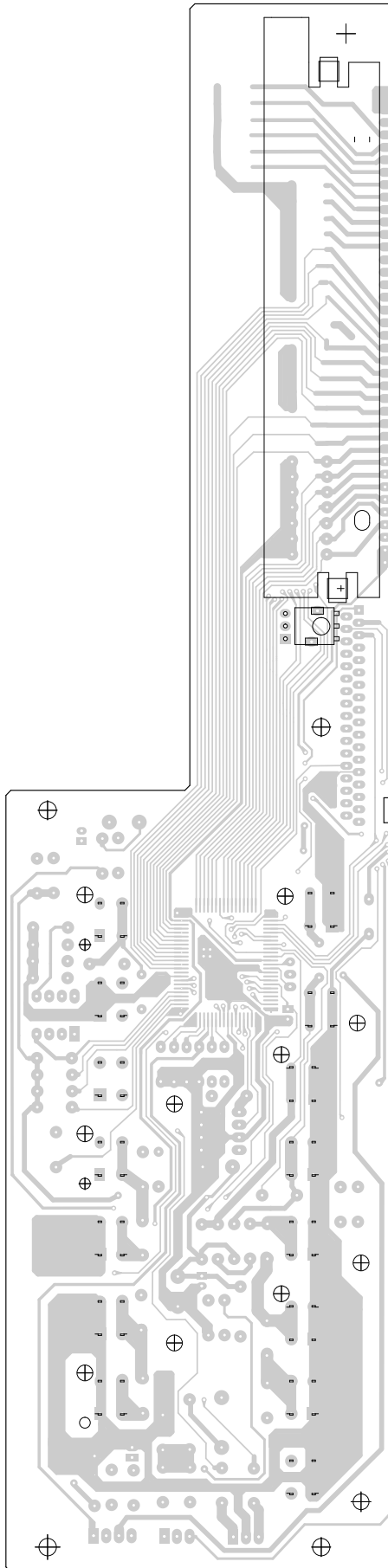
PCB LAYOUT

KEY BOARD

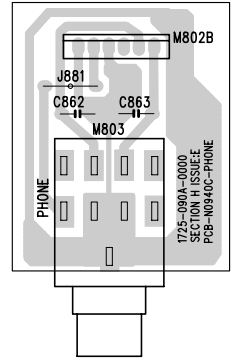
TOP VIEW



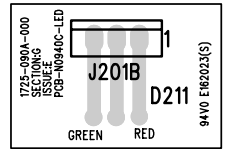
BOTTOM VIEW



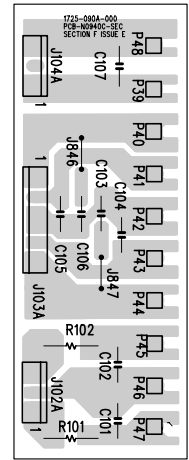
PHONE BOARD



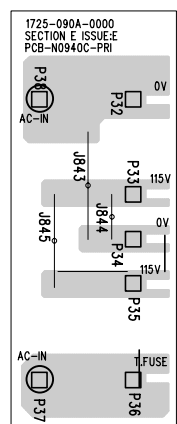
LED BOARD



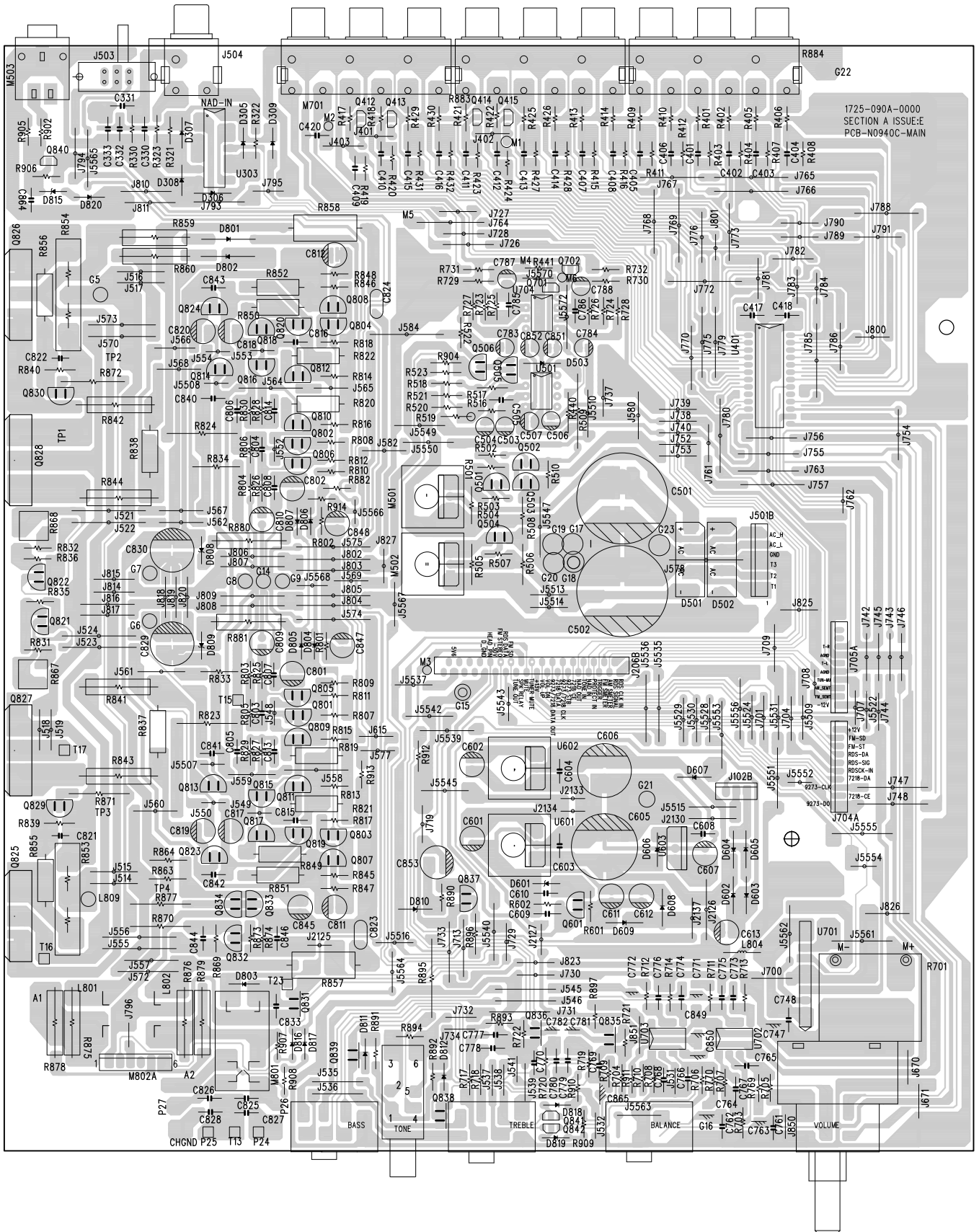
SECONDARY BOARD



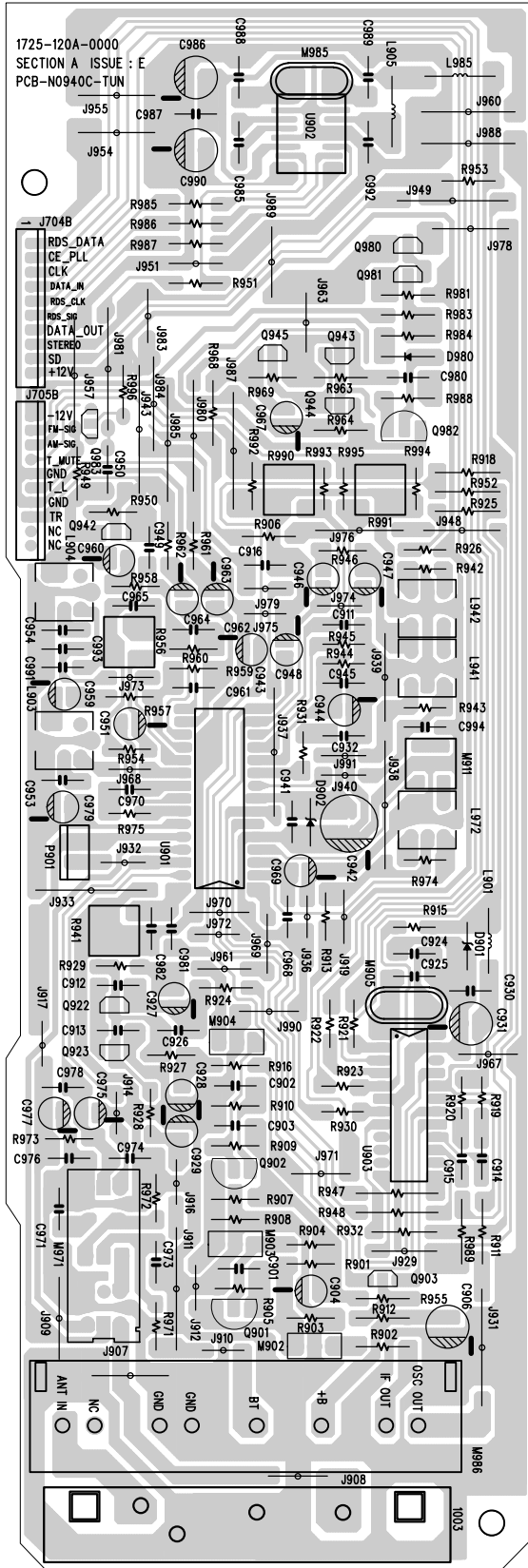
PRIMARY BOARD



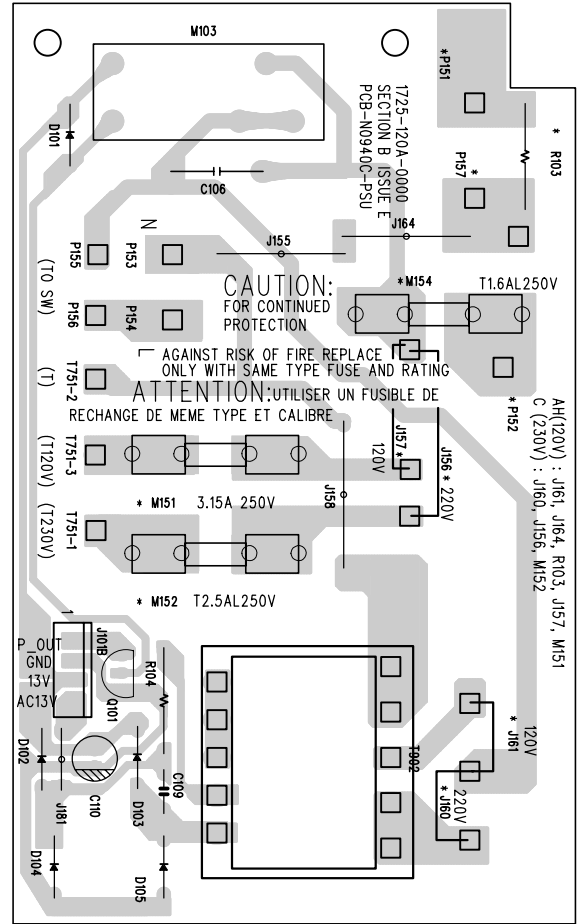
MAIN BOARD



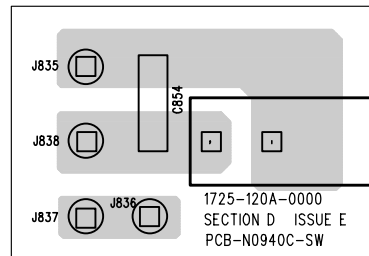
TUNER BOARD



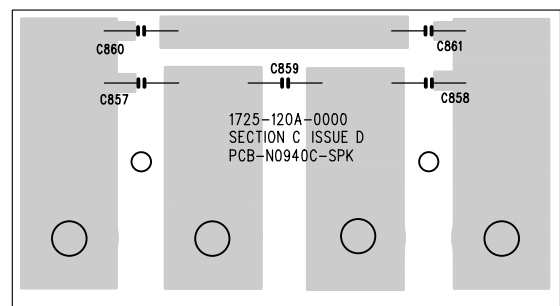
PSU BOARD



POWER SWITCH BOARD

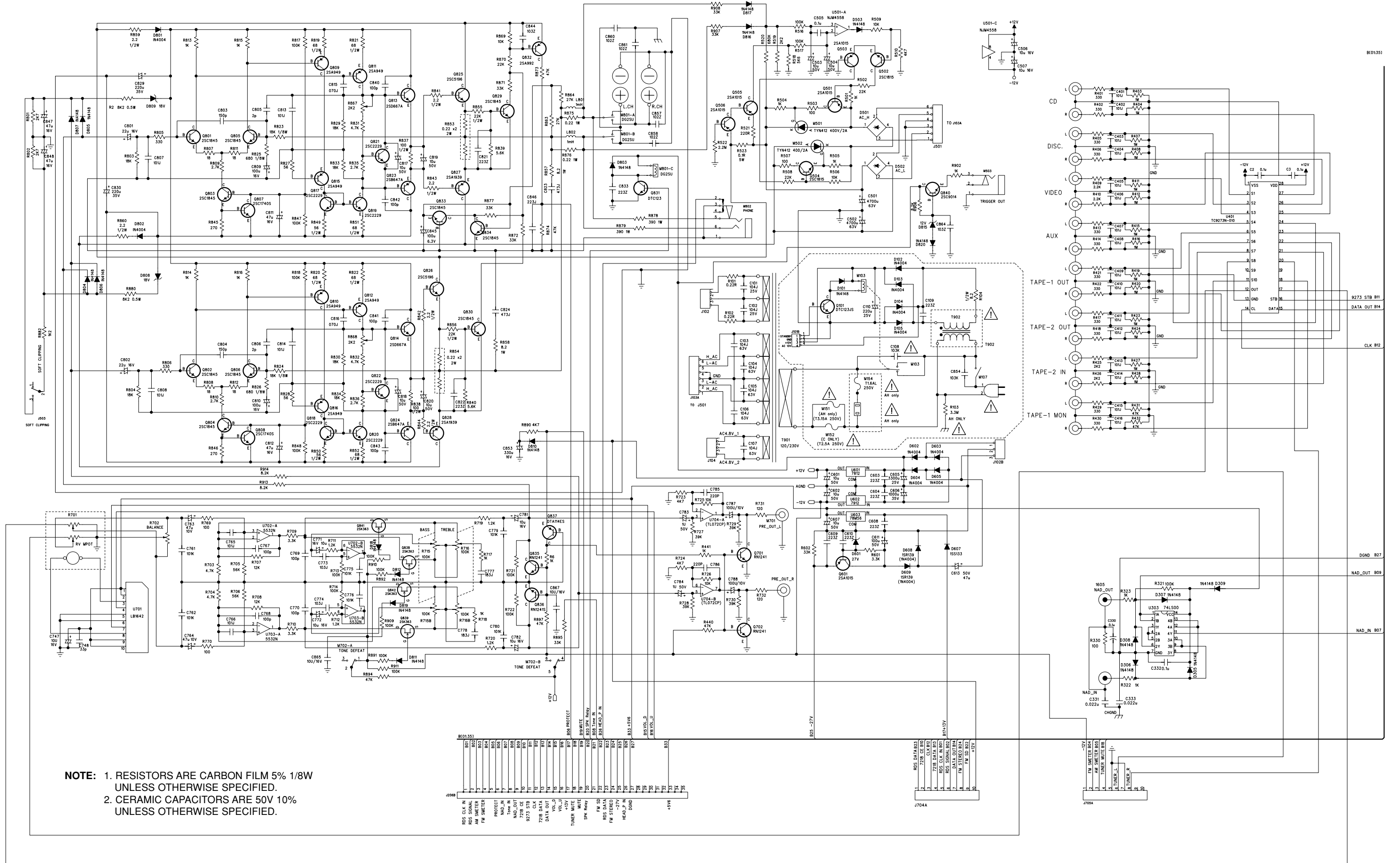


SPEAKER BOARD

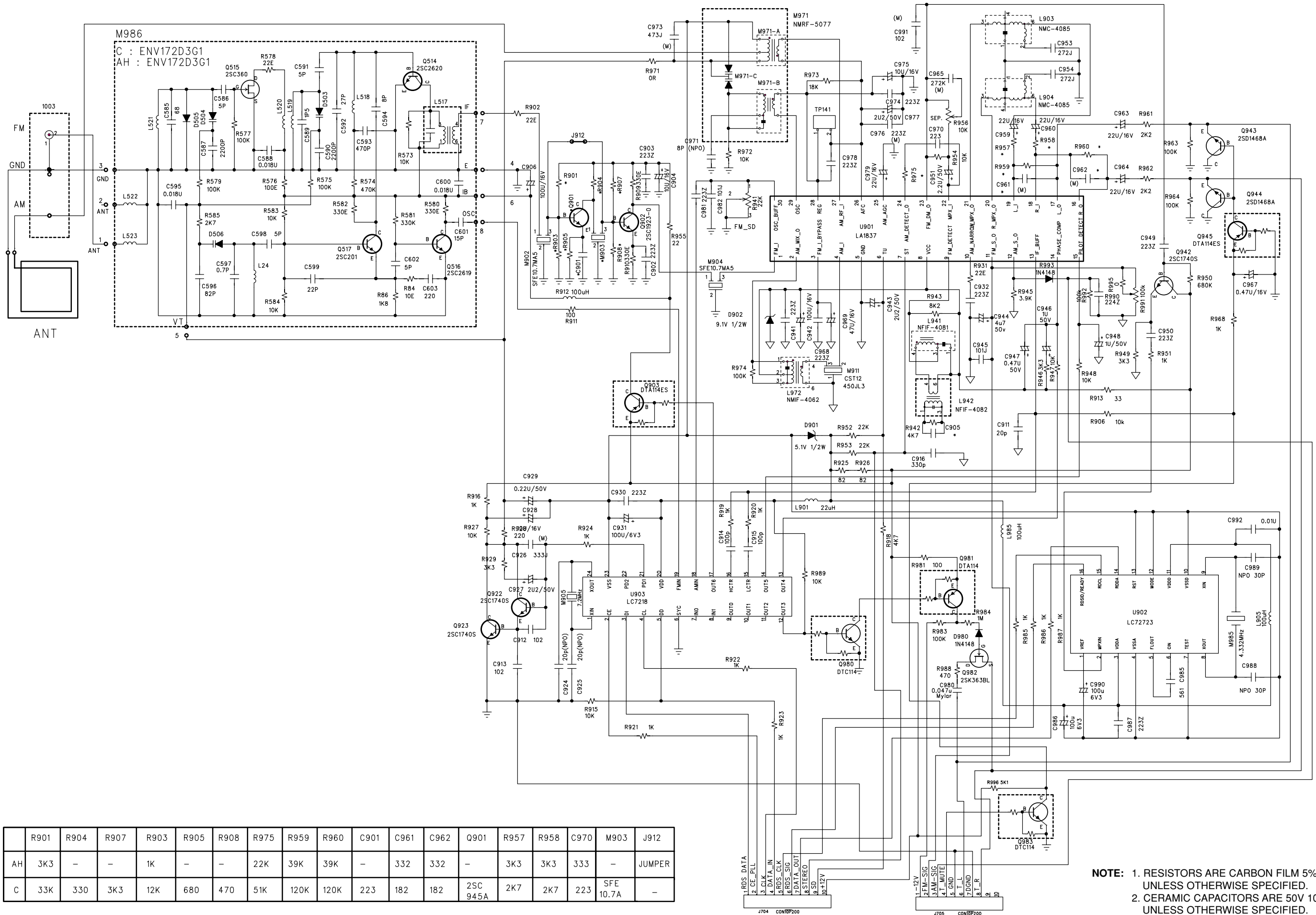


SCHEMATIC DIAGRAM

MAIN BOARD



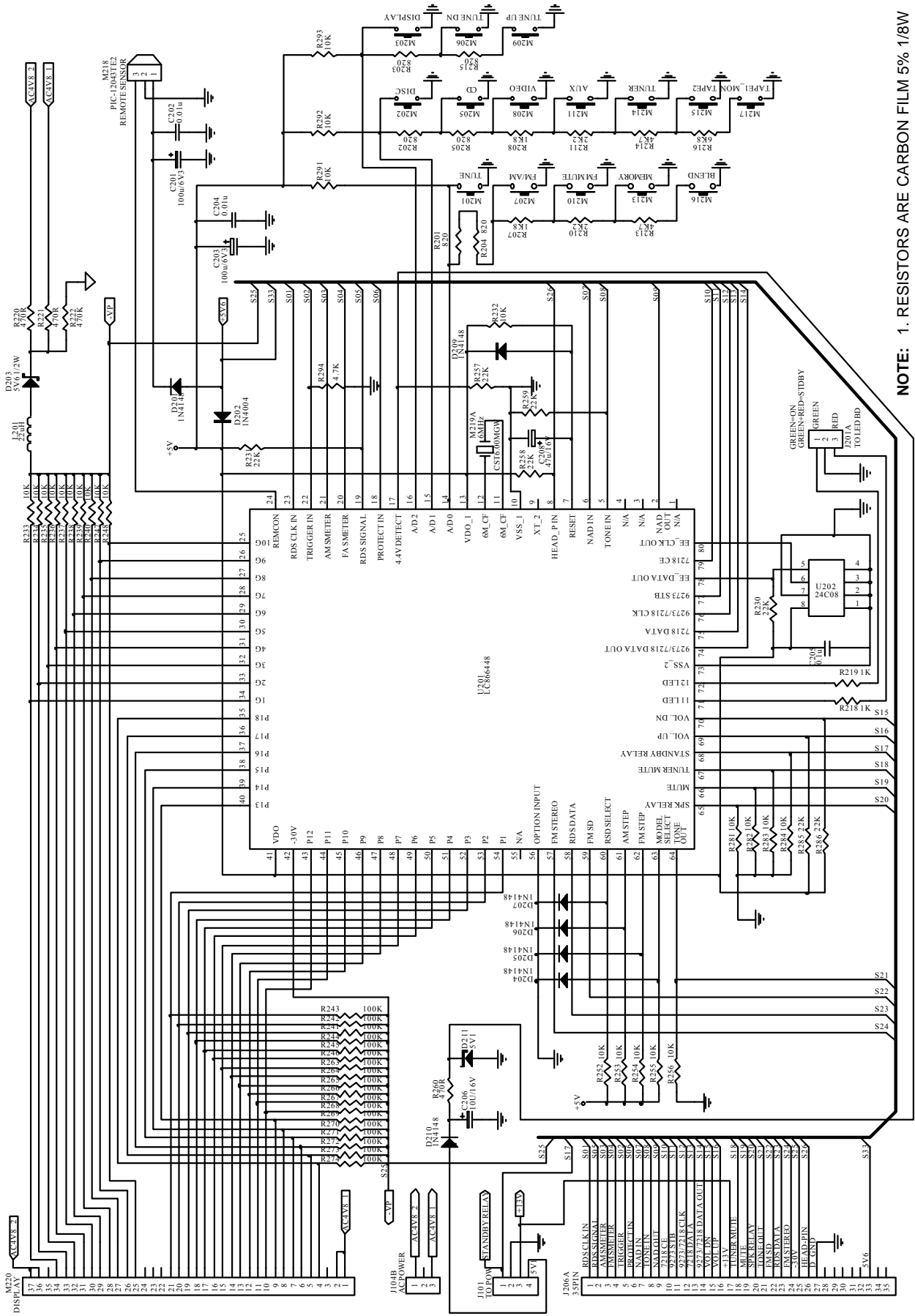
TUNER BOARD



	R901	R904	R907	R903	R905	R908	R975	R959	R960	C901	C961	C962	Q901	R957	R958	C970	M903	J912
AH	3K3	-	-	1K	-	-	22K	39K	39K	-	332	332	-	3K3	3K3	333	-	JUMPER
C	33K	330	3K3	12K	680	470	51K	120K	120K	223	182	182	2SC945A	2K7	2K7	223	SFE10.7A	-

NOTE: 1. RESISTORS ARE CARBON FILM 5% 1/8W UNLESS OTHERWISE SPECIFIED.
 2. CERAMIC CAPACITORS ARE 50V 10% UNLESS OTHERWISE SPECIFIED.

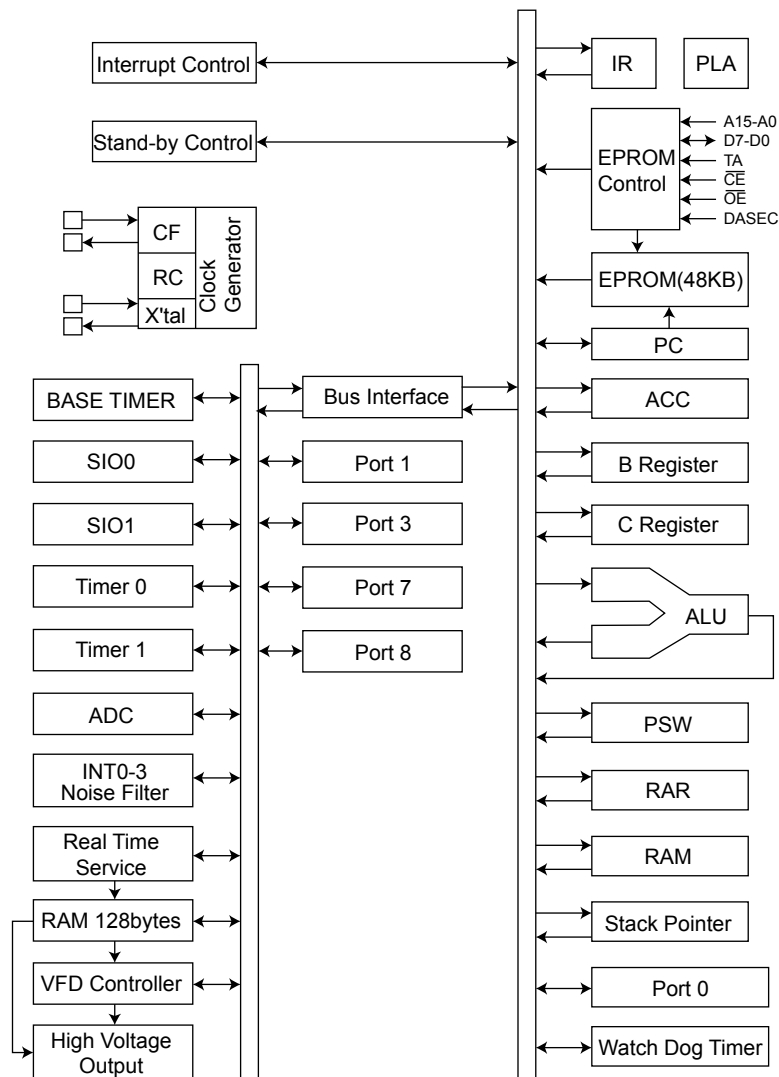
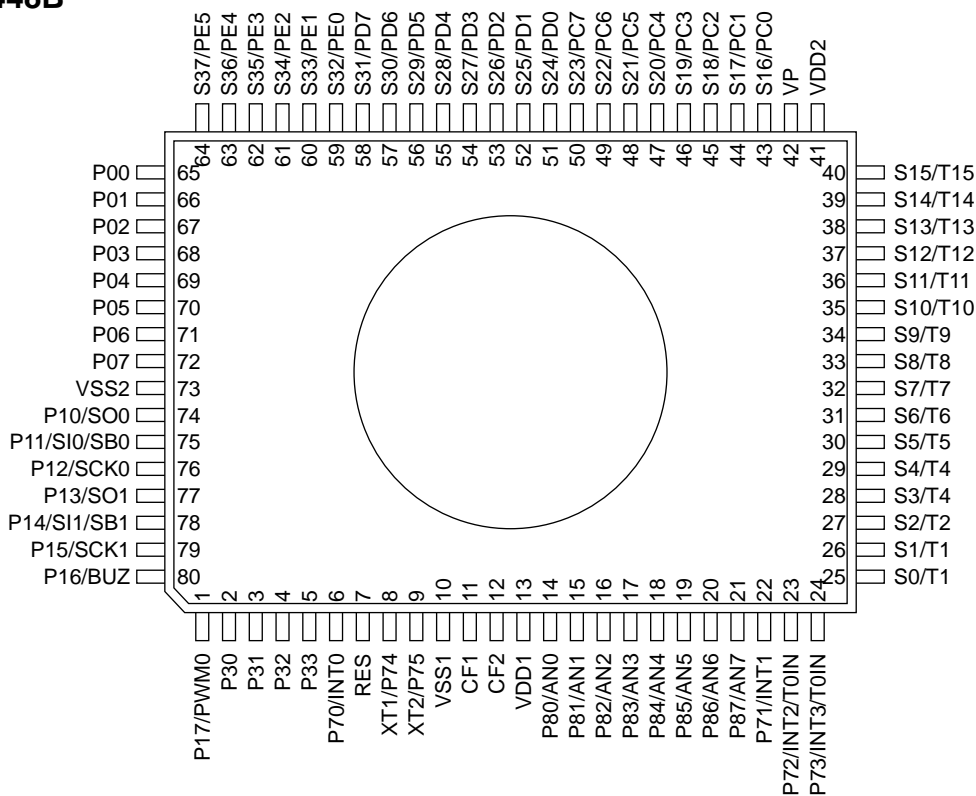
KEY BOARD



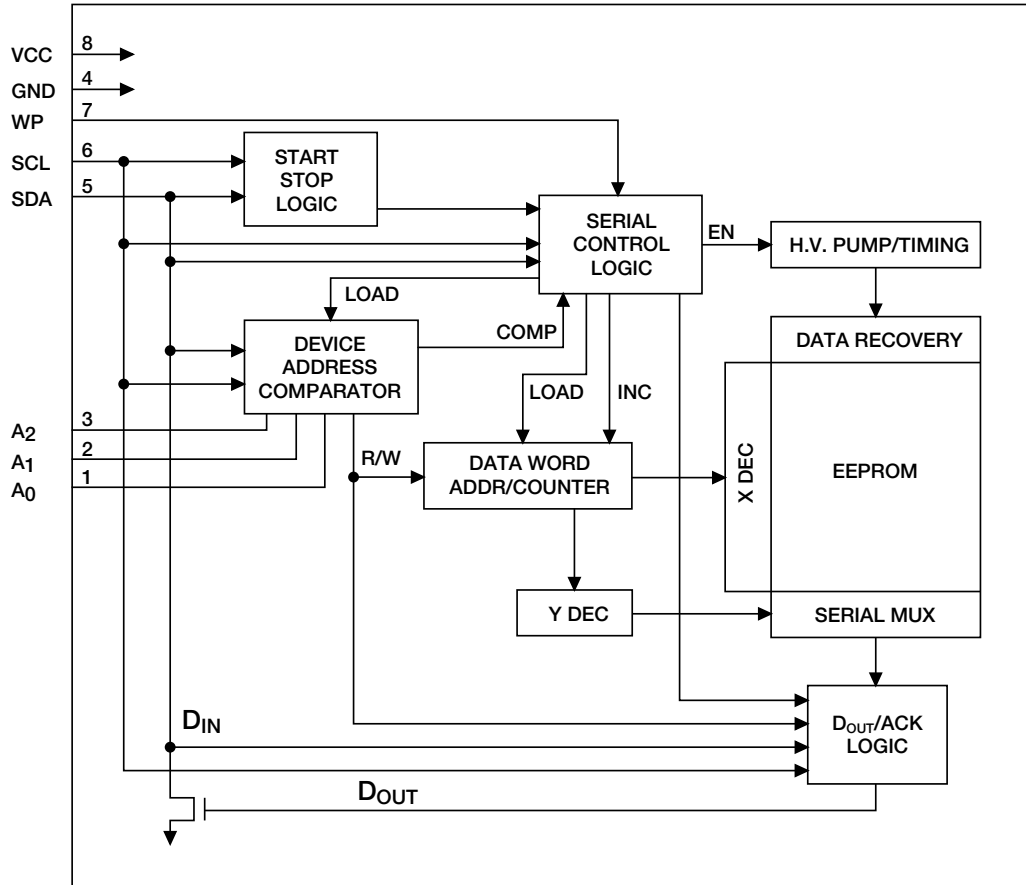
NOTE: 1. RESISTORS ARE CARBON FILM 5% 1/8W
 UNLESS OTHERWISE SPECIFIED.
 2. CERAMIC CAPACITORS ARE 50V 10%
 UNLESS OTHERWISE SPECIFIED.

IC BLOCK DIAGRAM

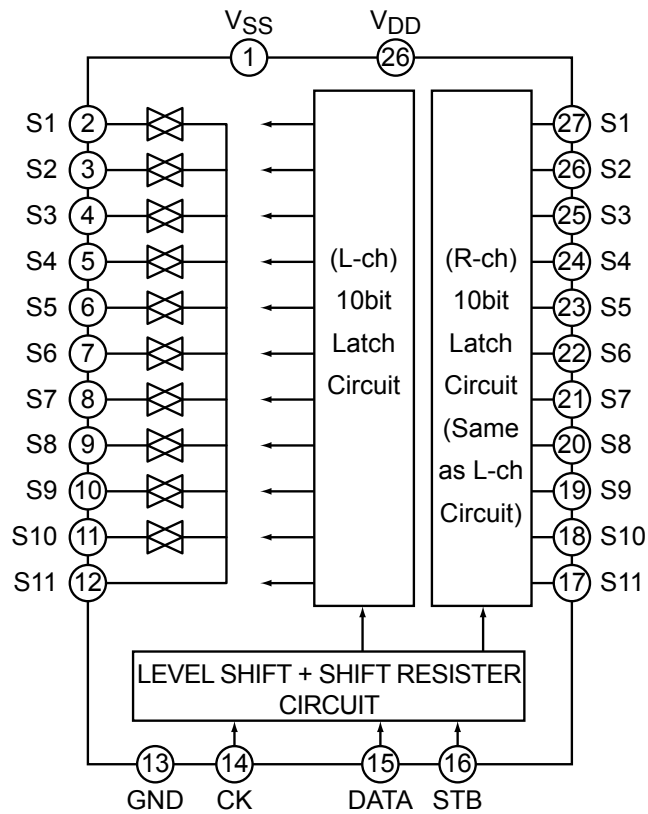
U201: LC866448B



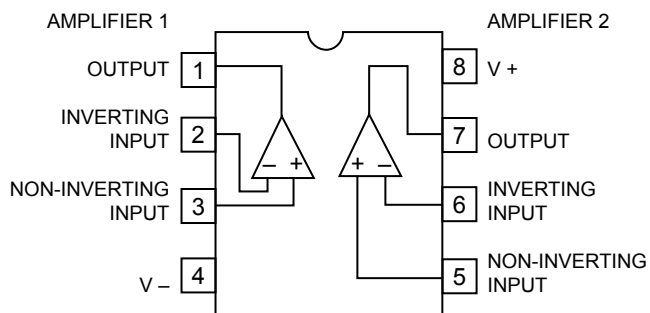
U202: 24C08



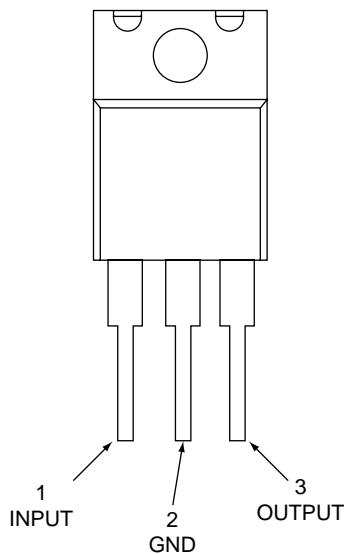
U401: TC9273N



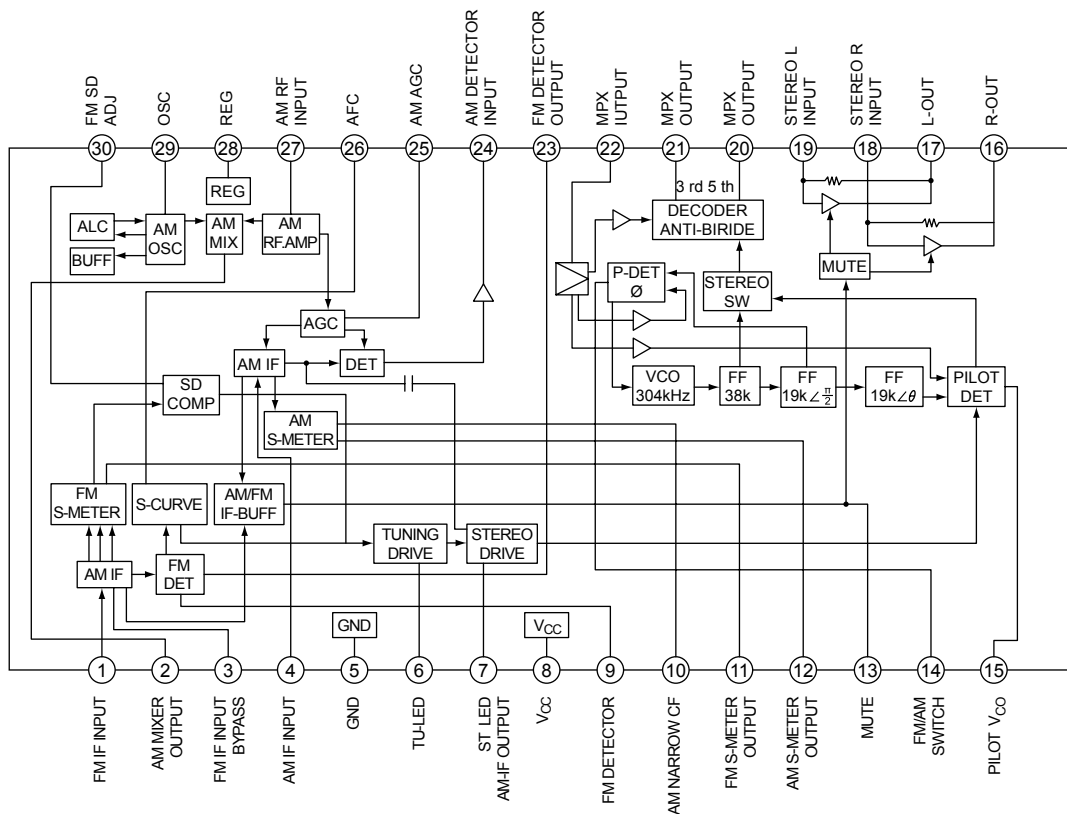
U501: NJM4558D
 U702, U703: NJM5532
 U704: TL072CP



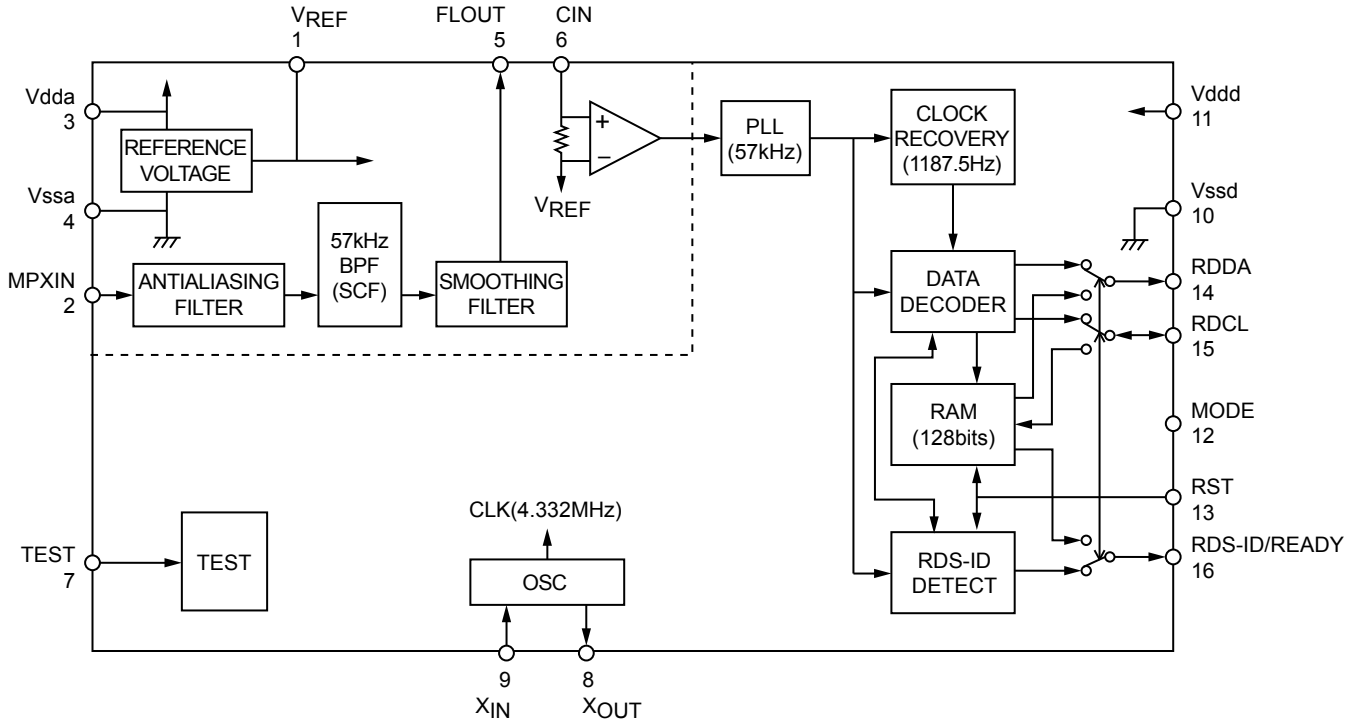
U603: NJM78M



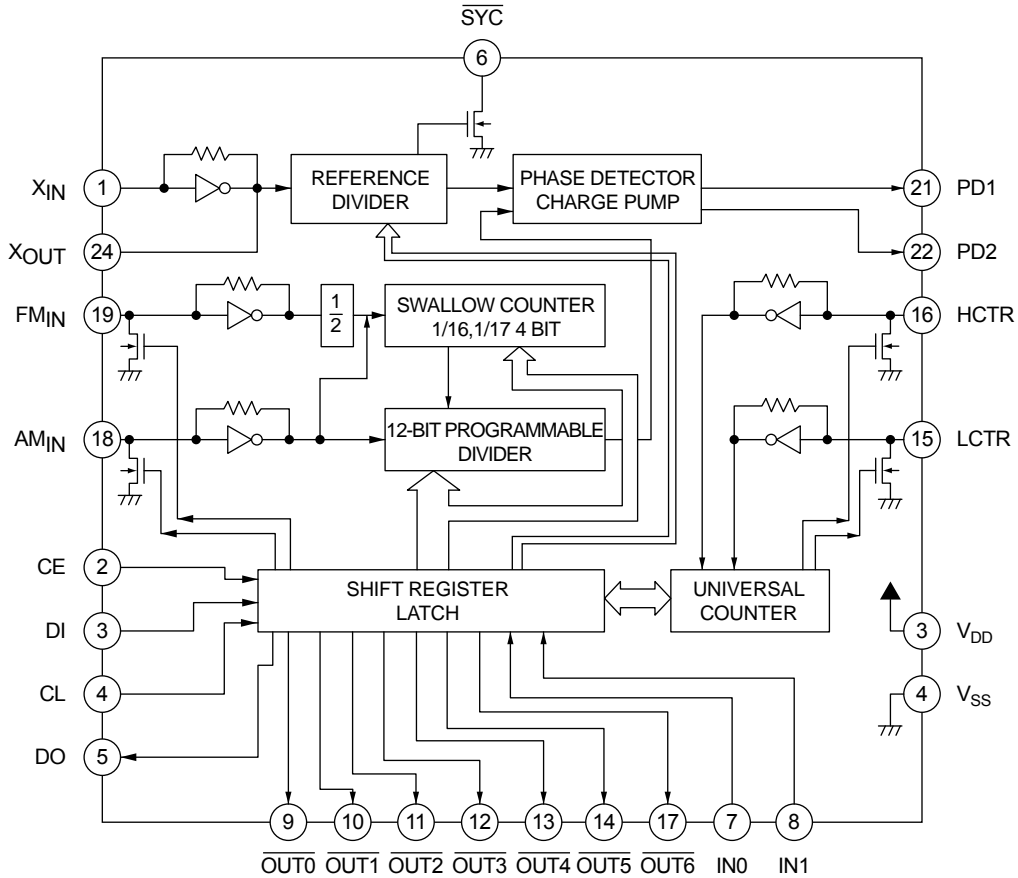
U901: LA1837



U902: LC72723M



U903: LC7218





ELECTRICAL PARTS LIST

Reference No.	Part No.	Description
LED ASSEMBLY PCB BOARD 01000	PCB-N0940C-LED	LED ASSEMBLY
LED D211	3700-3517-RG	LED RED/GREEN (L-469HW)
MAIN ASSEMBLY PCB BOARD 02000	PCB-N0940C-MAIN	MAIN ASSEMBLY
CAPACITORS		
C330, C332	150F-104K-2-FC	CC 50V 0.1μF 10% AT
C333	150F-223K-2-FD	CC 50V 0.022μF 10% AT
C401-C418	150F-101K-2-FC	CC 50V 100pF 10% AT 3.5x
C420	153F-103J-5-IM	CM 50V 0.01μF 5% RL 5x7
C501, C502	8910-0057-0	CE 63V 4700μF 20% RL
C503, C504	157F-106M-5-IMK	CE 50V 10μF 20% RL 5x7
C505	153F-104J-5-QUN	CM 50V 0.1μF RL (9x11)
C506, C507	157D-106M-5-IUK	CE 16V 10μF 20% RL 5x11
C601, C602	157F-106M-5-IMK	CE 50V 10μF 20% RL 5x7
C603, C604	150F-223K-2-FD	CC 50V 0.022μF 10% AT
C605	157E-338M-5-5\$	CE 25V 3300μF 20% RL
C606	157E-108M-5-X&	CE 25V 1000μF 20% RL
C607	157B-227M-5-LMK	CE 6.3V 220μF 20% RL
C608-C610	150F-223K-2-FD	CC 50V 0.022μF 10% AT
C611	157F-107M-5-OW	CE 50V 100μF 20% RL 8x12
C613	157F-476M-5-LU	CE 50V 47μF 20% RL
C747	157D-106M-5-IUK	CE 16V 10μF 20% RL 5x 11
C748	150F-330J-2-FC	CC 50V 33PF 5% AT 3.5x 2
C761, C762	150F-101J-5-IF	CC 50V 100pF 5% RL 5x3.5
C763, C764	157C-476M-5-IMK	CE 10V 47μF 20% RL 5x7
C765-C770	150F-101J-5-IF	CC 50V 100pF 5% RL 5x3.5
C771, C772	157D-106M-5-IUK	CE 16V 10μF 20% RL 5x11
C773, C774	153F-103J-5-IM	CM 50V 0.01μF 5% RL 5x7
C775, C776	150F-101J-5-IF	CC 50V 100pF 5% RL 5x3.5
C777, C778	153F-183J-5-KP	CM 50V 0.018μF 5% RL
C779, C780	150F-101J-5-IF	CC 50V 100pF 5% RL 5x3.5
C781, C782	157D-106M-5-IUK	CE 16V 10μF 20% RL 5x11
C783, C784	157F-105M-5-GMK	CE 50V 1μF 20% RL 4x7
C785, C786	150F-221K-5-GG	CC 50V 220pF 10% RL 4x4
C787, C788	157C-107M-5-IU	CE 10V 100μF 20% RL 5x11
C789	157D-106M-5-GMN	CE 16V 10μF 20% RL 4x7
C801, C802	157E-226M-5-GMK	CE 25V 22μF 20% RL 4x7
C803, C804	150F-151K-2-FC	CC 50V 150pF 10% AT 3.5x
C805, C806	15CH-020C-5-GG	CTC 0/60 2pF 0.25pF RL
C807, C808	150F-101J-5-IF	CC 50V 100pF 5% RL 5x3.5
C809, C810	157D-107M-5-KUK	CE 16V 100μF 20% RL
C811, C812	157D-476M-5-IMK	CE 16V 47μF 20% RL
C813, C814	150F-101J-5-IF	CC 50V 100pF 5% RL 5x3.5
C815, C816	150F-070D-5-GG	CC 50V 7PF 0.5PF RL 4x4
C817-C820	157F-106M-5-IMK	CE 50V 10μF 20% RL 5x7
C821, C822	150F-223Z-5-UG	CC 50V 0.022μF +80/-20%
C823, C824	153F-473J-5-NLM	CM 50V 0.047μF 5% RL 7.5
C829, C830	157F-108M-5-X&	CE 50V 1000μF 20% RL

<u>Reference No.</u>	<u>Part No.</u>	<u>Description</u>
C833	150F-223Z-5-UG	CC 50V 0.022μF +80/-20%
C840-C843	150F-101J-5-IF	CC 50V 100pF 5% RL 5x3.5
C844	153F-103J-5-IM	CM 50V 0.01μF 5% RL 5x7
C845	157B-107M-5-KMK	CE 6.3V 100μF 20% RL
C846	150F-223Z-5-UG	CC 50V 0.022μF +80/-20%
C847, C848	157D-476M-5-IMK	CE 16V 47μF 20% RL
C849-C852	157D-106M-5-IUK	CE 16V 10μF 20% RL 5x11
C853	157D-337M-5-OVK	CE 16V 330μF 20% RL
C864	153F-103J-5-IM	CM 50V 0.01μF 5% RL 5x7
C865	157D-106M-5-GMN	CE 16V 10μF 20% RL 4x7
C913, C914	157D-106M-5-IUK	CE 16V 10μF 20% RL 5x11
DIODES		
D305-D309	4804-1480-C	DIODE 1N4148 ATS
D501, D502	4840-2040-0	BRIDGE RECTIFIER RS403L
D503	4804-1480-C	DIODE 1N4148 ATS
D601	4837-27D1-2	DZ 1/2W 26.29~27.64V
D602-D605	4804-0040-2	DIODE 1N4004 AT
D607-D609	4804-0040-2	DIODE 1N4004 AT
D801, D802	4804-0040-2	DIODE 1N4004 AT
D803-D807	4804-1480-C	DIODE 1N4148 ATS
D808, D809	4837-18V6-2	DZ 1/2W 18V TEMIC AT
D810-D812	4804-1480-C	DIODE 1N4148 ATS
D815	4837-12V6-2	DZ 1/2W 12V 5% TEMIC AT
D816-D820	4804-1480-C	DIODE 1N4148 ATS
D910	4804-0040-2	DIODE 1N4004 AT
J709, J729	4837-3A31-2	DZ 1/2W 3.16~3.38V ROHM
COILS		
L801, L802	1804-0540-0	SPRING COIL 1MH
L804	1803-0014-0	COIL 1μH 10% BL 7
JACKS		
M503	2113-1179-0	PHONE JACK D3.5 BK
J504	2113-1121-0	2P RCA JACK Y/Y AU
R883, R884, M701	2113-1818-0	6P RCA JACK W/R GOLD
RELAY		
M801	4500-0910-0	RELAY 24VDC,125VA,3A
TRANSISTORS		
M501, M502	4860-5270-5	TR TYN412 400V 12A
Q501	4860-0660-5	TR 2SA1015 (G.R.) RL
Q502	4860-0700-5	TR 2SC1815 (G.R) RL
Q503	4860-0660-5	TR 2SA1015 (G.R.) RL
Q504	4860-0700-5	TR 2SC1815 (G.R) RL
Q505, C506	4860-0660-5	TR 2SA1015 (G.R.) RL
Q601	4860-0660-5	TR 2SA1015 (G.R.) RL
Q701, Q702	4851-241A-5	TR RN1241-A
Q801	4860-0700-5	TR 2SC1815 (G.R) RL
Q802-Q804	4860-0190-5	TR 2SC 1845 (F.E) RL
Q805	4860-0700-5	TR 2SC1815 (G.R) RL
Q806	4860-0190-5	TR 2SC 1845 (F.E) RL
Q807, Q808	4860-1590-5	TR 2SC1740S
Q809-Q812	485A-949O-5	TR 2SA949-O HFE 70-140
Q813, Q814	485D-667A-5	TR 2SD667A HFE 100-200
Q815, Q816	485A-949O-5	TR 2SA949-O HFE 70-140
Q817-Q822	485C-2229-5	TR 2SC2229-0 HFE 70-140
Q823, Q824	485B-647A-5	TR 2SB647A-C HFE 100-200
Q825, Q826	485C-5196-5	TR 2SC5196-0

Reference No.	Part No.	Description
Q827, Q828	485A-1939-5	TR 2SA1939-0 HFE 80-160
Q829, Q830	4860-0190-5	TR 2SC 1845 (F.E) RL
Q831	485C-123J-5	TR DTC123JSA ROHM
Q832	4850-992F-5	TR 2SA992 HFE 300-600
Q833, Q834	4860-0190-5	TR 2SC 1845 (F.E) RL
Q835, Q836	4851-241A-5	TR RN1241-A
Q837	485A-114E-5	TR DTA114ESA ROHM
Q838, Q839	4853-63BL-5	TR N-JFET 2SK-363BL
Q840	4859-014C-5	TR 9014C HFE 200-600
Q841, Q842	4853-63BL-5	TR N-JFET 2SK-363BL
Q913, Q914	4851-241A-5	TR RN1241-A
RESISTORS		
R321	4701-104J-C	RCF 1/8W 100K 5% ATS
R322, R323	4701-102J-C	RCF 1/8W 1K 5% ATS
R330	4701-101J-C	RCF 1/8W 100R 5% ATS
R401, R402	4701-331J-C	RCF 1/8W 330R 5% ATS
R403, R404	4701-105J-C	RCF 1/8W 1M 5% ATS
R405, R406	4701-331J-C	RCF 1/8W 330R 5% ATS
R407, R408	4701-105J-C	RCF 1/8W 1M 5% ATS
R409, R410	4701-222J-C	RCF 1/8W 2.2K 5% ATS
R411, R412	4701-105J-C	RCF 1/8W 1M 5% ATS
R413, R414	4701-331J-C	RCF 1/8W 330R 5% ATS
R415, R416	4701-105J-C	RCF 1/8W 1M 5% ATS
R417, R418	4701-331J-C	RCF 1/8W 330R 5% ATS
R419, R420	4701-105J-C	RCF 1/8W 1M 5% ATS
R421, R422	4701-331J-C	RCF 1/8W 330R 5% ATS
R423, R424	4701-105J-C	RCF 1/8W 1M 5% ATS
R425, R426	4701-222J-C	RCF 1/8W 2.2K 5% ATS
R427, R428	4701-105J-C	RCF 1/8W 1M 5% ATS
R429, R430	4701-331J-C	RCF 1/8W 330R 5% ATS
R431, R432	4701-473J-C	RCF 1/8W 47K 5% ATS
R440	4701-473J-C	RCF 1/8W 47K 5% ATS
R441, R501	4701-102J-C	RCF 1/8W 1K 5% ATS
R502	4701-223J-C	RCF 1/8W 22K 5% ATS
R503	4701-101J-C	RCF 1/8W 100R 5% ATS
R504, R505	4701-102J-C	RCF 1/8W 1K 5% ATS
R506	4701-103J-C	RCF 1/8W 10K 5% ATS
R507	4701-101J-C	RCF 1/8W 100R 5% ATS
R508	4701-223J-C	RCF 1/8W 22K 5% ATS
R509	4701-103J-C	RCF 1/8W 10K 5% ATS
R510	4701-472J-C	RCF 1/8W 4.7K 5% ATS
R516, R517	4701-104J-C	RCF 1/8W 100K 5% ATS
R518	4701-562J-C	RCF 1/8W 5.6K 5% ATS
R519	4701-222J-C	RCF 1/8W 2.2K 5% ATS
R520	4701-684J-C	RCF 1/8W 680K 5% ATS
R521	4701-221J-C	RCF 1/8W 220R 5% ATS
R522	4701-225J-C	RCF 1/8W 2.2M 5% ATS
R523	474B-0R1J-5	RWR 5W 0.1R 5% RL
R601	4701-332J-C	RCF 1/8W 3.3K 5% ATS
R602	4701-333J-C	RCF 1/8W 33K 5% ATS
R703, R704	4701-472J-C	RCF 1/8W 4.7K 5% ATS
R705, R706	4701-563J-C	RCF 1/8W 56K 5% ATS
R707, R708	4701-123J-C	RCF 1/8W 12K 5% ATS
R709, R710	4701-332J-C	RCF 1/8W 3.3K 5% ATS
R711, R712	4701-122J-C	RCF 1/8W 1.2K 5% ATS
R713, R714	4701-104J-C	RCF 1/8W 100K 5% ATS
R717, R718	4701-102J-C	RCF 1/8W 1K 5% ATS
R719, R720	4701-122J-C	RCF 1/8W 1.2K 5% ATS
R721, R722	4701-104J-C	RCF 1/8W 100K 5% ATS

<u>Reference No.</u>	<u>Part No.</u>	<u>Description</u>
R723, R724	4701-472J-C	RCF 1/8W 4.7K 5% ATS
R725, R726	4701-103J-C	RCF 1/8W 10K 5% ATS
R727-R730	4701-393J-C	RCF 1/8W 39K 5% ATS
R731, R732	4701-121J-C	RCF 1/8W 120R 5% ATS
R769, R770	4701-101J-C	RCF 1/8W 100R 5% ATS
R801, R802	4701-272J-C	RCF 1/8W 2.7K 5% ATS
R803, R804	4701-183J-C	RCF 1/8W 18K 5% ATS
R805, R806	4701-331J-C	RCF 1/8W 330R 5% ATS
R807, R808	4701-180J-C	RCF 1/8W 18R 5% ATS
R809, R810	4701-272J-C	RCF 1/8W 2.7K 5% ATS
R811, R812	4701-180J-C	RCF 1/8W 18R 5% ATS
R813-R816	4701-102J-C	RCF 1/8W 1K 5% ATS
R817, R818	4701-104J-C	RCF 1/8W 100K 5% ATS
R819-R822	4717-680J-2-F	RMF 1/2W 68R 5% AT
R823, R824	4701-183J-C	RCF 1/8W 18K 5% ATS
R825, R826	4701-681J-C	RCF 1/8W 680R 5% ATS
R827, R828	4701-560J-C	RCF 1/8W 56R 5% ATS
R829, R830	4701-183J-C	RCF 1/8W 18K 5% ATS
R831, R832	4701-472J-C	RCF 1/8W 4.7K 5% ATS
R833, R834	4701-183J-C	RCF 1/8W 18K 5% ATS
R835, R836	4701-272J-C	RCF 1/8W 2.7K 5% ATS
R837, R838	4717-101J-C	RMF 1/2W 100R 5% ATS
R839, R840	4701-562J-C	RCF 1/8W 5.6K 5% ATS
R841-R844	4717-2R2J-2	RMF 1/2W 2.2R 5% AT
R845, R846	4701-271J-C	RCF 1/8W 270R 5% ATS
R847, R848	4701-104J-C	RCF 1/8W 100K 5% ATS
R849, R850	4717-560J-2	RMF 1/2W 56R 5% AT
R851, R852	4717-680J-2-F	RMF 1/2W 68R 5% AT
R853, R854	474B-R22K-5-02	RWR 5W 0.22R X2 10% RL
R855, R856	4707-223J-2	RCF 1/2W 22K 5% AT
R857, R858	4718-8R2J-2-X	RMF 1W 8.2R 5% AT
R859, R860	4717-2R2J-2	RMF 1/2W 2.2R 5% AT
R863, R864	4701-273J-C	RCF 1/8W 27K 5% ATS
R869	4701-103J-C	RCF 1/8W 10K 5% ATS
R870	4701-223J-C	RCF 1/8W 22K 5% ATS
R871, R872	4701-333J-C	RCF 1/8W 33K 5% ATS
R873, R874	4701-473J-C	RCF 1/8W 47K 5% ATS
R875, R876	4718-R22J-2	RMF 1W 0.22R 5% AT
R877	4701-333J-C	RCF 1/8W 33K 5% ATS
R878, R879	4718-391J-2-X	RMF 1W 390R 5% AT
R880, R881	4707-822J-2	RCF 1/2W 8.2K 5% AT
R882	4701-122J-C	RCF 1/8W 1.2K 5% ATS
R890	4701-472J-C	RCF 1/8W 4.7K 5% ATS
R891, R892	4701-104J-C	RCF 1/8W 100K 5% ATS
R894	4701-473J-C	RCF 1/8W 47K 5% ATS
R895	4701-333J-C	RCF 1/8W 33K 5% ATS
R896	4701-102J-C	RCF 1/8W 1K 5% ATS
R897	4701-473J-C	RCF 1/8W 47K 5% ATS
R902	4701-102J-C	RCF 1/8W 1K 5% ATS
R906	4701-822J-C	RCF 1/8W 8.2K 5% ATS
R907, R908	4701-333J-C	RCF 1/8W 33K 5% ATS
R909-R911	4701-104J-C	RCF 1/8W 100K 5% ATS
R913, R914	4701-822J-C	RCF 1/8W 8.2K 5% ATS
VARIABLE RESISTORS		
R701	4750-9930-0	VR RK16312MC 2X50KA(15AM
R702	4750-9940-0	VR RK16311 10KB (3BM)
R715, R716	4750-9950-0	VR 100KW x 2 W/CC RK16312
R867, R868	4756-2226-3-06	SVR 2.2K H3 7X7.6 R0615C

Reference No.	Part No.	Description
ICs		
U303	3130-6650-0	IC 74LS00 QUAD 2-INPUT
U401	3130-8160-0	IC TC9273N ANALOG SWITCH
U501	3130-0890-0	IC NJM4558D DUAL OP AMP.
U601	3130-2520-3	IC 7812 12V REGULATOR
U602	3130-3800-0	IC UPC79M12HF REGULATOR
U603	3130-8190-0	IC NJM78M56FA 5.6V
U701	3130-3410-0	IC LB1642 MOTOR DRIVER
U702,U703	3130-9560-0	IC NJM5532
U704	3130-4080-0	IC TL072CP DUAL FET OPAMP
SWITCHES		
J503	5200-3171-0-01	DPDT SLIDE
M702	5200-3514-0	PUSH SW.ALPS SPUN19
PHONE ASSEMBLY		
PCB BOARD		
03000	PCB-N0940C-PHO	PCB ASSY PHONE N094XC
CAPACITORS		
C862, C863	150F-102K-5-IF	CC 50V 1000pF 10% RL 5x3
JACK		
M803	2113-1011-0	PHONE JACK
SECONDARY ASSEMBLY		
PC BOARD		
04000	PCB-N0940C-SEC	SECONDARY ASSEMBLY
CAPACITORS		
C101,C102	150F-104K-5-II	CC 50V 0.1μF 10% RL 5x5
C103-C107	153I-104J-5-NMN	CM 63V 0.1μF RL (7.5X7)
RESISTORS		
R101,R102	4718-R22J-2	RMF 1W 0.22R 5% AT
SW ASSEMBLY		
PC BOARD		
05000	PCB-N0940C-SW	PCB ASSY MAIN SW N094XC
CAPACITOR		
C854 	8910-0091-0	CC 400V 0.01μF +-20% RL
SWITCH		
M107 	5200-3665-0	POWER SWITCH TV5
KEYBOARD ASSEMBLY		
PC BOARD		
06000 *AH	PCB N0940C-KEY	KEYBOARD ASSEMBLY
06000 *C	PCB-N0941C-KEY	KEYBOARD ASSEMBLY
CAPACITORS		
C201	157B-107M-5-KMK	CE 6.3V 100μF 20% RL
C202	150F-103K-2-FC	CC 50V 0.01μF 10% AT 3.5
C203	157B-107M-5-KMK	CE 6.3V 100μF 20% RL
C204	150F-103K-2-FC	CC 50V 0.01μF 10% AT 3.5
C205	150F-104K-2-FC	CC 50V 0.1μF 10% AT
C206	157D-106M-5-IUK	CE 16V 10μF 20% RL 5x11
C208	157D-476M-5-IMK	CE 16V 47μF 20% RL
C212	150F-104K-2-FC	CC 50V 0.1μF 10% AT

<u>Reference No.</u>	<u>Part No.</u>	<u>Description</u>
DIODES		
D201	4804-1480-C	DIODE 1N4148 ATS
D202	4804-0040-1	DIODE 1N4004 AL
D203	4837-5B61-2	DZ 1/2W 5.45-5.73 ROHM
D204,D209,D210	4804-1480-C	DIODE 1N4148 ATS
D211	4837-5B11-2	DZ 1/2W 4.94-5.20V ROHM
D212	4804-1480-C	DIODE 1N4148 ATS
COIL		
L201	1801-220K-M	COIL 22 μ H 10% AL BL7
INFRA-RED SENSOR		
M218	4814-3TE2-3	IR SENSOR PIC-12043TE2
VFD		
M220	2460-1960-0	VFD SAMSUNG HNA-10SM12
SWITCH		
M201-M203, M205-M209 M210-M211, M213-M217	5200-3538-0	SWITCH, TACT SKHHBY 7MM
RESISTORS		
R201-R205	4701-821J-C	RCF 1/8W 820R 5% ATS
R207, R208	4701-182J-C	RCF 1/8W 1.8K 5% ATS
R210, R211	4701-222J-C	RCF 1/8W 2.2K 5% ATS
R213, R214	4701-472J-C	RCF 1/8W 4.7K 5% ATS
R215	4701-821J-C	RCF 1/8W 820R 5% ATS
R216	4701-682J-C	RCF 1/8W 6.8K 5% ATS
R218, R219	4701-102J-C	RCF 1/8W 1K 5% ATS
R220, R221	4701-471J-C	RCF 1/8W 470R 5% ATS
R222	4701-473J-C	RCF 1/8W 47K 5% ATS
R230, R231	4701-223J-C	RCF 1/8W 22K 5% ATS
R232-R240	4701-103J-C	RCF 1/8W 10K 5% ATS
R241-R246	4701-104J-C	RCF 1/8W 100K 5% ATS
R247, R248	4701-103J-C	RCF 1/8W 10K 5% ATS
R252-R256	4701-103J-C	RCF 1/8W 10K 5% ATS
R257, R259	4701-223J-C	RCF 1/8W 22K 5% ATS
R260	4701-471J-C	RCF 1/8W 470R 5% ATS
R263-R274	4701-104J-C	RCF 1/8W 100K 5% ATS
R281-R284	4701-103J-C	RCF 1/8W 10K 5% ATS
R285, R286	4701-223J-C	RCF 1/8W 22K 5% ATS
R291-R293	4701-103J-C	RCF 1/8W 10K 5% ATS
R294	4701-472J-C	RCF 1/8W 4.7K 5% ATS
ICs		
U201	3131-9750-1	IC LC866448B 8 BIT
U202	3131-7250-0	IC 24C08 8K EEPROM
PRIMARY ASSEMBLY		
PC BOARD		
07000	PCB-N0941C-PRI	PRIMARY ASSEMBLY
PSU ASSEMBLY		
PC BOARD		
08000 *AH	PCB-N0940C-PSU	POWER SUPPLY ASSEMBLY
08000 *C	PCB-N0941C-PSU	POWER SUPPLY ASSEMBLY
CAPACITORS		
C106 \triangle	8910-0091-0	CC 400V 0.01 μ F +-20% RL
C109	150F-223Z-5-UG	CC 50V 0.022 μ F +80/-20%

Reference No.	Part No.	Description
C110	157E-227M-5-PU	CE 25V 220μF 20% RL
DIODES		
D101	4804-1480-C	DIODE 1N4148 ATS
D102-D105	4804-0040-1	DIODE 1N4004 AL
RELAY		
M103 ▲	4500-0890-0	RELAY 12VDC,250VAC,10A
FUSE		
M151 *AH ▲	5120-0037-0	FU T3.15A 250V UL/CSA 5x20MM
M152 *C ▲	5100-2530-1B	T2.5A/250V IEC
M154 *AH ▲	5120-0052-0	FUSE T1.6A 250V 5x20MM UL/CSA
TRANSISTOR		
Q101	485C-123J-5	TR DTC123JSA ROHM
RESISTOR		
R103 *AH ▲	4717-335J-2-S	RMF 1/2W 3.3M 5% AT
R104	4707-8R2J-2	RCF 1/2W 8.2R 5% AT
TRANSFORMER		
T902 ▲	1806-2311-0	EI-35 TRANSFORMER 12V/AC
<u>SPEAKER ASSEMBLY</u>		
PC BOARD		
09000 *AH	PCB-N0940C-SPK	SPEAKER ASSEMBLY
09000 *C	PCB-N0941C-SPK	SPEAKER ASSEMBLY
CAPACITORS		
C857, C858	150F-102K-5-IF	CC 50V 1000pF 10% RL 5x3
C860, C861	150F-102K-5-IF	CC 50V 1000pF 10% RL 5x3
<u>TUNER ASSEMBLY</u>		
PC BOARD		
10000 *AH	PCB-N0940C-TUN	TUNER ASSEMBLY
10000 *C	PCB-N0941C-TUN	TUNER ASSEMBLY
CAPACITORS		
C901 *C	150F-223K-2-FD	CC 50V 0.022μF 10% AT
C902-C903	150F-223K-2-FD	CC 50V 0.022μF 10% AT
C904	157D-106M-5-GM	CE 16V 10μF 20% RL 4x7
C906	157D-107M-5-KUK	CE 16V 100μF 20% RL
C911	150F-200J-2-FC	CC 50V 20pF 5% AT 3.5x2
C912, C913	150F-102K-2-FC	CC 50V 1000pF 10% AT 3.5
C914, C915	150F-101K-2-FC	CC 50V 100pF 10% AT 3.5x
C916	150F-331K-2-FC	CC 50V 330pF 10% AT 3.5x
C924, C925	15CH-200J-5-GG	CTC 0/60 20pF 5% RL 4x4
C926	153F-333J-5-NLM	CM 50V 0.033μF 5% RL 7.5
C927	157F-225M-5-GM	CE 50V 2.2μF 20% RL 4x7
C928	157D-106M-5-GM	CE 16V 10μF 20% RL 4x7
C929	157F-224M-5-GM	CE 50V 0.22μF 20% RL 4x7
C930	150F-223K-2-FD	CC 50V 0.022μF 10% AT
C931	157B-107M-5-KM	CE 6.3V 100μF 20% RL 6x7
C932, C941	150F-223K-2-FD	CC 50V 0.022μF 10% AT
C942	157D-107M-5-KUK	CE 16V 100μF 20% RL
C943	157F-225M-5-GM	CE 50V 2.2μF 20% RL 4x7
C944	157F-475M-5-GM	CE 50V 4.7μF 20% RL 4x7
C945	150F-101K-2-FC	CC 50V 100pF 10% AT 3.5x

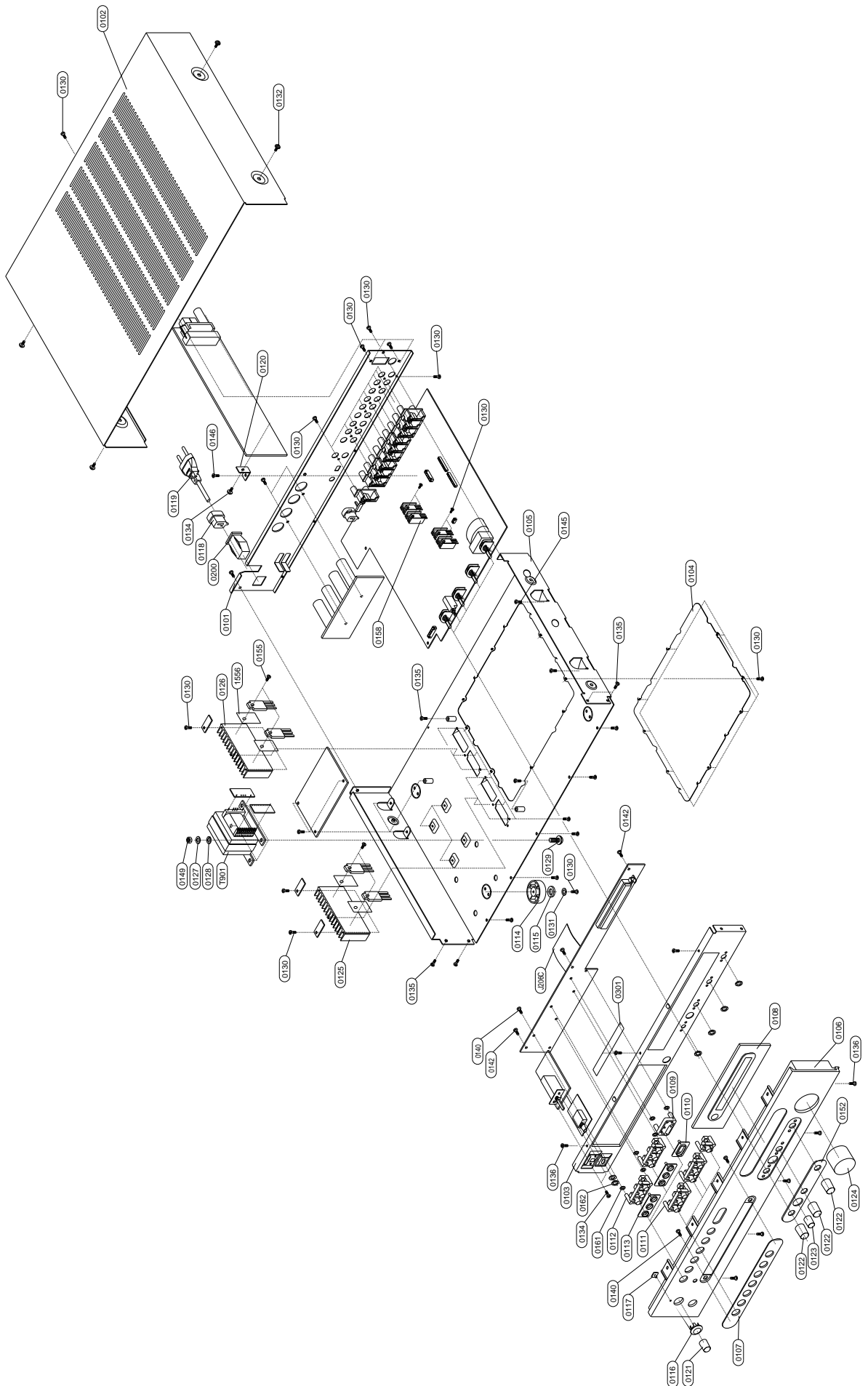
<u>Reference No.</u>	<u>Part No.</u>	<u>Description</u>
C946	157F-105M-5-GM	CE 50V 1μF 20% RL 4x7
C947	157F-474M-5-GM	CE 50V 0.47μF 20% RL 4x7
C948	157F-105M-5-GM	CE 50V 1μF 20% RL 4x7
C949, C950	150F-223K-2-FD	CC 50V 0.022μF 10% AT
C951	157F-225M-5-GM	CE 50V 2.2μF 20% RL 4x7
C953, C954	150D-272K-2-FC	CC 16V 2700pF 10% AT
C959, C960	157D-226M-5-GM	CE 16V 22μF 20% RL 4x7
C961, C962 *AH	153F-332J-5-KW	CM 50V 3300pF 5% RL 6x12
C961, C962 *C	153F-182K-5-KW	CM 50V 1800pF 10% RL 6x1
C963, C964	157D-226M-5-GM	CE 16V 22μF 20% RL 4x7
C965	150D-272K-2-FC	CC 16V 2700pF 10% AT
C967	157D-474M-5-II	CE 16V 0.47μF 20% RL 5x5
C968	150F-223K-2-FD	CC 50V 0.022μF 10% AT
C969	157D-476M-5-IM	CE 16V 47μF 20% RL 5x7
C970 *AH	153F-333J-5-NLM	CM 50V 0.033μF 5% RL 7.5x6.5
C970 *C	150F-223K-2-FD	CC 50V 0.022μF 10% AT
C971	15CH-080D-5-GG	CTC 0/60 8pF 0.5pF RL
C973	153F-473J-5-NLM	CM 50V 0.047μF 5% RL 7.5
C974	150F-223K-2-FD	CC 50V 0.022μF 10% AT
C975	157D-106M-5-GM	CE 16V 10μF 20% RL 4x7
C976	150F-223K-2-FD	CC 50V 0.022μF 10% AT
C977	157F-225M-5-GM	CE 50V 2.2μF 20% RL 4x7
C978	150F-223K-2-FD	CC 50V 0.022μF 10% AT
C979	157D-226M-5-GM	CE 16V 22μF 20% RL 4x7
C980	153F-473J-5-NLM	CM 50V 0.047μF 5% RL 7.5
C981	150F-223K-2-FD	CC 50V 0.022μF 10% AT
C982	150F-101K-2-FC	CC 50V 100pF 10% AT 3.5x
C985	150F-561K-2-FC	CC 50V 560pF 10% AT 3.5x
C986	157B-107M-5-KM	CE 6.3V 100μF 20% RL 6x7
C987	150F-223K-2-FD	CC 50V 0.022μF 10% AT
C988, C989	15CH-300J-5-IG	CTC 0/60 30pF 5% RL 5x4
C990	157B-107M-5-KM	CE 6.3V 100μF 20% RL 6x7
C991	150F-102K-2-FC	CC 50V 1000pF 10% AT 3.5
C992	150F-103K-2-FC	CC 50V 0.01μF 10% AT 3.5
DIODES		
D901	4837-4C20-2	DZ 1/2W 5.0-5.2V AT
D902	4837-7C20-2	DZ 1/2W 9.1-9.5V AT
D980	4804-1480-C	DIODE 1N4148 ATS
COILS		
L901	1801-220K-M	COIL 22μH 10% AL BL7
L903, L904	5600-3386-S	COIL MPX LPF NMC-4085
L905	1801-101K-M	COIL 100μH 10%
L941	5600-3396-S	COIL FM DET-1 10.7MHZ
L942	5600-3406-S	COIL FM DET-2 10.7MHZ
L972	5600-3416-S	COIL AM IFT NMIF-4062
L985	1801-101K-M	COIL 100μH 10%
M971	5600-3280-G	COIL MW RF BLOCK
R912	1801-101K-M	COIL 100μH 10%
CERAMIC FILTERS		
M902, M904	2701-0010-1	CF10.7 +-30 SFE10.7MA5-A
M903 *C	2701-0010-1	CF10.7 +-30 SFE10.7MA5-A
M911	2701-0680-0	CF 450 +-1 SFZ450JL3
CRYSTALS		
M905	2300-0440-0	CRYSTAL 7.2MHZ 20PPM
M985	2300-1220-0	CRYSTAL 4.332MHZ

Reference No.	Part No.	Description
TUNER M986	1300-0726-0	TUNER ENV172D3G1
TRANSISTORS		
Q901 *C	485C-945P-5	TR 2SC945P HFE 200-400
Q902	4851-9230-5	TR 2SC1923-0 HFE 70-140
Q903	485A-114E-5	TR DTA114ESA ROHM
Q922, Q923	4860-1590-5	TR 2SC1740S
Q942	4860-1590-5	TR 2SC1740S
Q943, Q944	4860-8120-0	TR 2SD 1468 S
Q945, Q980, Q981	485A-114E-5	TR DTA114ESA ROHM
Q982	4853-63BL-5	TR N-JFET 2SK-363BL
Q983	485C-114E-5	TR DTC114ES
RESISTORS		
R901 *AH	4701-332J-C	RCF 1/8W 3.3K 5% ATS
R901 *C	4701-333J-C	RCF 1/8W 33K 5% ATS
R902	4701-220J-C	RCF 1/8W 22R 5% ATS
R903 *AH	4701-102J-C	RCF 1/8W 1K 5% ATS
R903 *C	4701-123J-C	RCF 1/8W 12K 5% ATS
R904 *C	4701-331J-C	RCF 1/8W 330R 5% ATS
R905 *C	4701-681J-C	RCF 1/8W 680R 5% ATS
R906	4701-103J-C	RCF 1/8W 10K 5% ATS
R907 *C	4701-332J-C	RCF 1/8W 3.3K 5% ATS
R908 *C	4701-471J-C	RCF 1/8W 470R 5% ATS
R909, R910	4701-331J-C	RCF 1/8W 330R 5% ATS
R911	4701-101J-C	RCF 1/8W 100R 5% ATS
R913	4701-330J-C	RCF 1/8W 33R 5% ATS
R915	4701-103J-C	RCF 1/8W 10K 5% ATS
R916	4701-102J-C	RCF 1/8W 1K 5% ATS
R918	4701-472J-C	RCF 1/8W 4.7K 5% ATS
R919	4701-102J-C	RCF 1/8W 1K 5% ATS
R920-R924	4701-102J-C	RCF 1/8W 1K 5% ATS
R925, R926	4701-820J-C	RCF 1/8W 82R 5% ATS
R927	4701-103J-C	RCF 1/8W 10K 5% ATS
R928	4701-221J-C	RCF 1/8W 220R 5% ATS
R929	4701-332J-C	RCF 1/8W 3.3K 5% ATS
R931	4701-220J-C	RCF 1/8W 22R 5% ATS
R942	4701-472J-C	RCF 1/8W 4.7K 5% ATS
R943	4701-822J-C	RCF 1/8W 8.2K 5% ATS
R945	4701-392J-C	RCF 1/8W 3.9K 5% ATS
R946	4701-332J-C	RCF 1/8W 3.3K 5% ATS
R947, R948	4701-103J-C	RCF 1/8W 10K 5% ATS
R949	4701-332J-C	RCF 1/8W 3.3K 5% ATS
R950	4701-684J-C	RCF 1/8W 680K 5% ATS
R951	4701-102J-C	RCF 1/8W 1K 5% ATS
R952, R953	4701-223J-C	RCF 1/8W 22K 5% ATS
R954	4701-103J-C	RCF 1/8W 10K 5% ATS
R955	4701-220J-C	RCF 1/8W 22R 5% ATS
R957, R958 *AH	4701-332J-C	RCF 1/8W 3.3K 5% ATS
R957, R958 *C	4701-272J-C	RCF 1/8W 2.7K 5% ATS
R959, R960 *AH	4701-393J-C	RCF 1/8W 39K 5% ATS
R959, R960 *C	4701-124J-C	RCF 1/8W 120K 5% ATS
R961, R962	4701-222J-C	RCF 1/8W 2.2K 5% ATS
R963, R964	4701-104J-C	RCF 1/8W 100K 5% ATS
R968	4701-102J-C	RCF 1/8W 1K 5% ATS
R969	4701-104J-C	RCF 1/8W 100K 5% ATS
R972	4701-103J-C	RCF 1/8W 10K 5% ATS
R973	4701-183J-C	RCF 1/8W 18K 5% ATS

<u>Reference No.</u>	<u>Part No.</u>	<u>Description</u>
R974	4701-104J-C	RCF 1/8W 100K 5% ATS
R975 *AH	4701-223J-C	RCF 1/8W 22K 5% ATS
R975 *C	4701-513J-C	RCF 1/8W 51K 5% ATS
R981	4701-101J-C	RCF 1/8W 100R 5% ATS
R983	4701-104J-C	RCF 1/8W 100K 5% ATS
R984	4701-105J-C	RCF 1/8W 1M 5% ATS
R985, R986	4701-102J-C	RCF 1/8W 1K 5% ATS
R987	4701-102J-C	RCF 1/8W 1K 5% ATS
R988	4701-471J-C	RCF 1/8W 470R 5% ATS
R989	4701-103J-C	RCF 1/8W 10K 5% ATS
R996	4701-512J-C	RCF 1/8W 5.1K 5% ATS
SEMIFIXED VARIABLE RESISTORS		
R941	4756-2036-3-15	SVR B20K H3 NVZ6TL1 6.3x6.8 HDK
R956	4756-1036-3-06	SVR 10K H3 7x7.6 RH0615C
R991	4756-1046-3-17	SVR B100K H3 NVZ6TL1 6.3x6.8 HDK
ICs		
U901	3130-8180-0	IC LA1837 AM/FM IF
U902	3131-9040-0	IC LC72723M RDS
U903	3131-3760-0	IC LC7218 PLL FREQ

- NOTE:**
- The components identified by \triangle mark are critical for risk of fire and electrical shock. Replace only with part number specified.
 - <*AH > : USA, Canadian model only.
 - <*C > : European model only.
 - Capacitors : CP-Polystyrene, CM-Mylar, CE-Electrolytic, CC-Ceramic, CTC-NPO.
 - Resistors : RMF-Metal Film, RCF-Carbon Film, RWR-Wirewound Metal Oxide Film.

EXPLODED VIEW



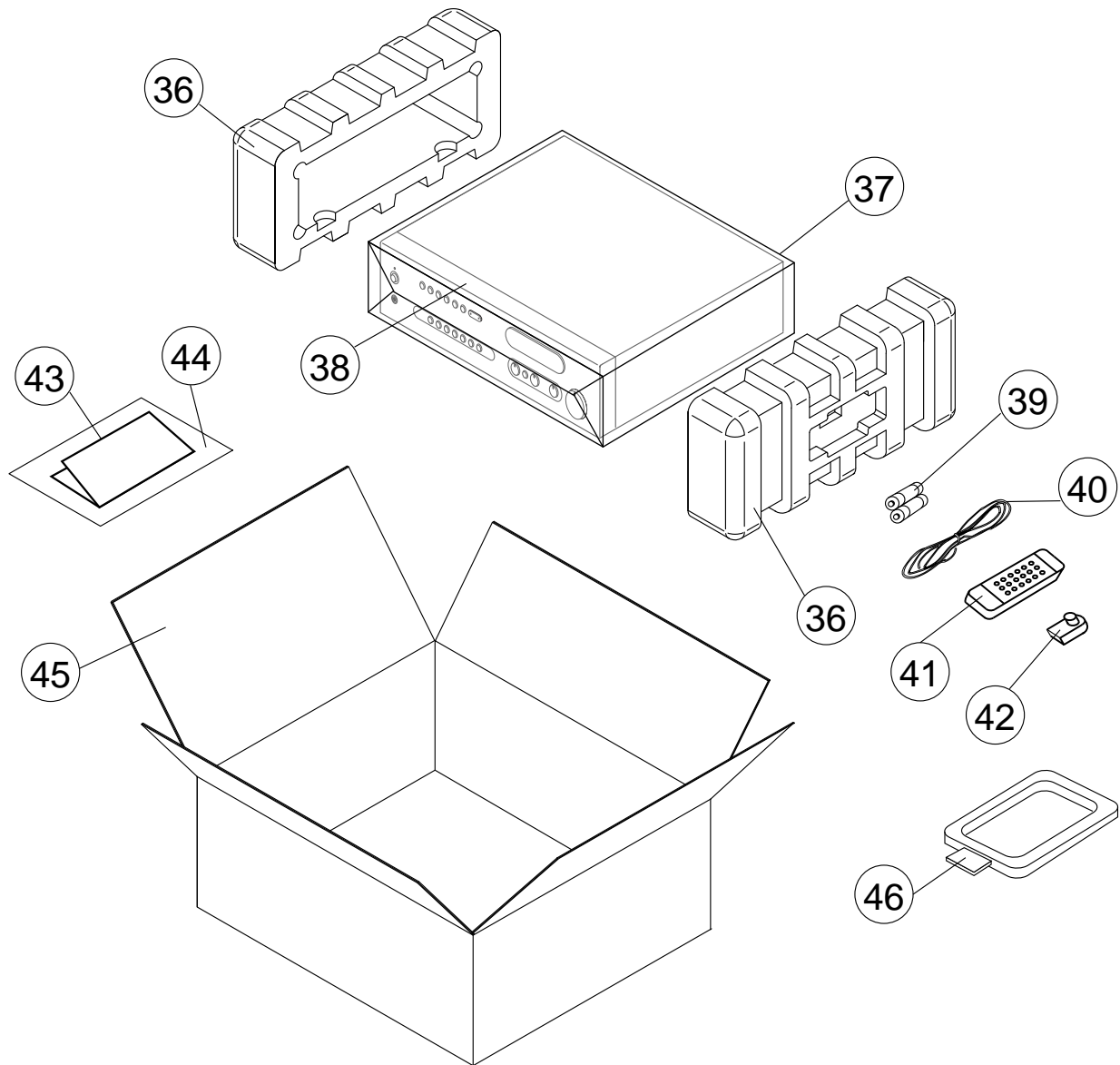
EXPLODED VIEW PARTS LIST

<u>ITEM</u>	<u>Part No.</u>	<u>Description</u>	<u>Qty</u>
0101 *AH	1403-7071-0	REAR PANEL C730 (AH)	1
0101 *C	1403-7072-0	REAR PANEL C730 (C)	1
0102	1403-7080-0	TOP COVER C730	1
0103	1403-7090-0	SUB-FASCIA C730	1
0104	1403-7100-0	BOTTOM COVER C730	1
0105	1403-7110-0	BOTTOM CHASSIS C730	1
0106	1466-8200-0	FASCIA C730	1
0107	4154-2091-0	INPUT BUTTON LOZENGE C730	1
0108	3716-4315-0	WINDOW LENS C730 W/SS	1
0109	2444-1301-1	BUTTON RACKER	1
0110	4154-0091-0	BEZEL RACKER	1
0111	2444-2101-0	INPUT BUTTON	3
0112	2444-1201-0	BUTTON TRIO	2
0113	4154-0031-0	BEZEL TRIO	3
0114	4152-4631-0	RUBBER FOOT (522) 14MM HIGH	4
0115	4152-4641-0	CUSHION FOOT (522)	4
0116	4152-4331-0	POWER BUTTON BEZEL	1
0117	3714-5706-0	LED LENS (412) CLEAR SAN	1
0118	△ 4152-3851-0	SQ. STRAIN RELIEF BUSHING	1
0119 *AH	△ 7009-3100-2	AC CORD 18AWGX2	1
0119 *C	△ 7009-3100-0	AC CORD (SEMKO)	1
0120	4152-0451-0	L-BRACKET	1
0121	2442-1000-0	POWER BUTTON	1
0122	2445-0201-0	TONE KNOB SHORT C730	3
0123	2445-0301-0	TONE DEFEAT BUTTON	1
0124	2445-0401-0	VOLUME KNOB SHORT C730	1
0125	5400-9171-0	FRONT HEATSINK C730	1
0126	5400-9181-0	REAR HEATSINK C730	1
0127	2600-4008-0973	FLAT WASHER M4X0.8X9.7 BZ	4
0128	2607-4010-0703	SPRING WASHER M4X1X7 BZ	4
0129	2904-4010-3000	SCREW M4X10 (BLK)	4
0130	2954-3008-3000	T3X8MM SELF TAPPING	42
0131	2842-3367-0	METAL WASHER ID=3.3 OD=6.7	4
0132	2900-4006-3010	M4X0.5PX6MM W/FLAT WASHER	4
0134	2954-3006-0000	3X6MM B-TITE (YEL.ZN)	1
0135	2954-3008-0000	TAPPING 3X8MM B-TITE (YEL.ZN)	8
0136	2954-3006-3000	3X6MM B-TITE (BLK.ZN)	8
0140	2954-2606-3000	SCREW BH 2.6X6 BLACK	11
0142	2954-2608-3000	SCREW BT 2.6X8 BLACK ZINC	11
0145	2904-3006-0000	SCREW M3X6	4
0146	2904-3008-0000	M3X8MM BINDING HEAD (YEL.ZN)	1
0149	2640-4030-0703	M4 NUT (BLK)	4
0152	4154-2191-0	TONE CONTROL LOZENGE, N0940C	1
0155	2900-3010-3030	SCREW M3X10 W/S&F WASHER (BLK)	4
0158	5400-0831-0	HEATSINK (214) 20MM-HIGH HOLE	4
0161	2601-3004-0801	FIBRE WASHER M3X0.4X8 NA.	7
0162	2640-C020-1434	HEXAGON NUT M12X2.0X14.3 NI	1

<u>ITEM</u>	<u>Part No.</u>	<u>Description</u>	<u>Qty</u>
0200 *AH \triangle	2113-1662-0	AC OUTLET 2 PIN 15A 125VAC (AH)	1
0301	3100-5101-0	PC SHEET 50X7X0.25	1
1556	3100-3211-0	SILICON SHEET (26X20MM)	4
J206C	7010-1660-0	FLEXIBLE CABLE 35P L220 P1.25	1
T901 \triangle	1806-3546-0	X'FORMER I/P 120/230V N094XC	1

- NOTE:**
- The components identified by \triangle mark are critical for risk of fire and electrical shock.
Replace only with part number specified.
 - <*AH > : USA, Canadian model only.
 - <*C > : European model only.

PACKING DIAGRAM



ITEM	PART NO.	DESCRIPTION	Q'TY
36	1490-3773-0	POLYFORM ENDCAP	2
37	1497-1332-1	UNIT POLYBAG	1
38	1497-1442-0	FASCIA COVER	1
39	4060-0530-0	BATTERIES	2
40	2107-0661-1	300 OHM T ANTENNA	1
41	8901-2950-0	REMOTE CONTROL HANDSET	1
42	2103-6101-0 *AH	RF CONNECTOR PLUG	1
42	2103-6201-0 *C	RF CONNECTOR PLUG	1
43	4301-4869-1	INSTRUCTION MANUAL C730	1
44	1497-1062-0	MANUAL POLYBAG	1
45	1480-1900-1	CARTON BOX	1
46	2113-1155-0	AM LOOP ANTENNA	1

Proprietary information for servicing purposes only. The information herein may not be used commercially without the prior written agreement of NAD Electronics International, Toronto, Canada.

SERVICE MANUAL

C 730

STEREO
RECEIVER

© NAD 2001

NAD ELECTRONICS INTERNATIONAL
TORONTO, CANADA