

## BLOCK DIAGRAM

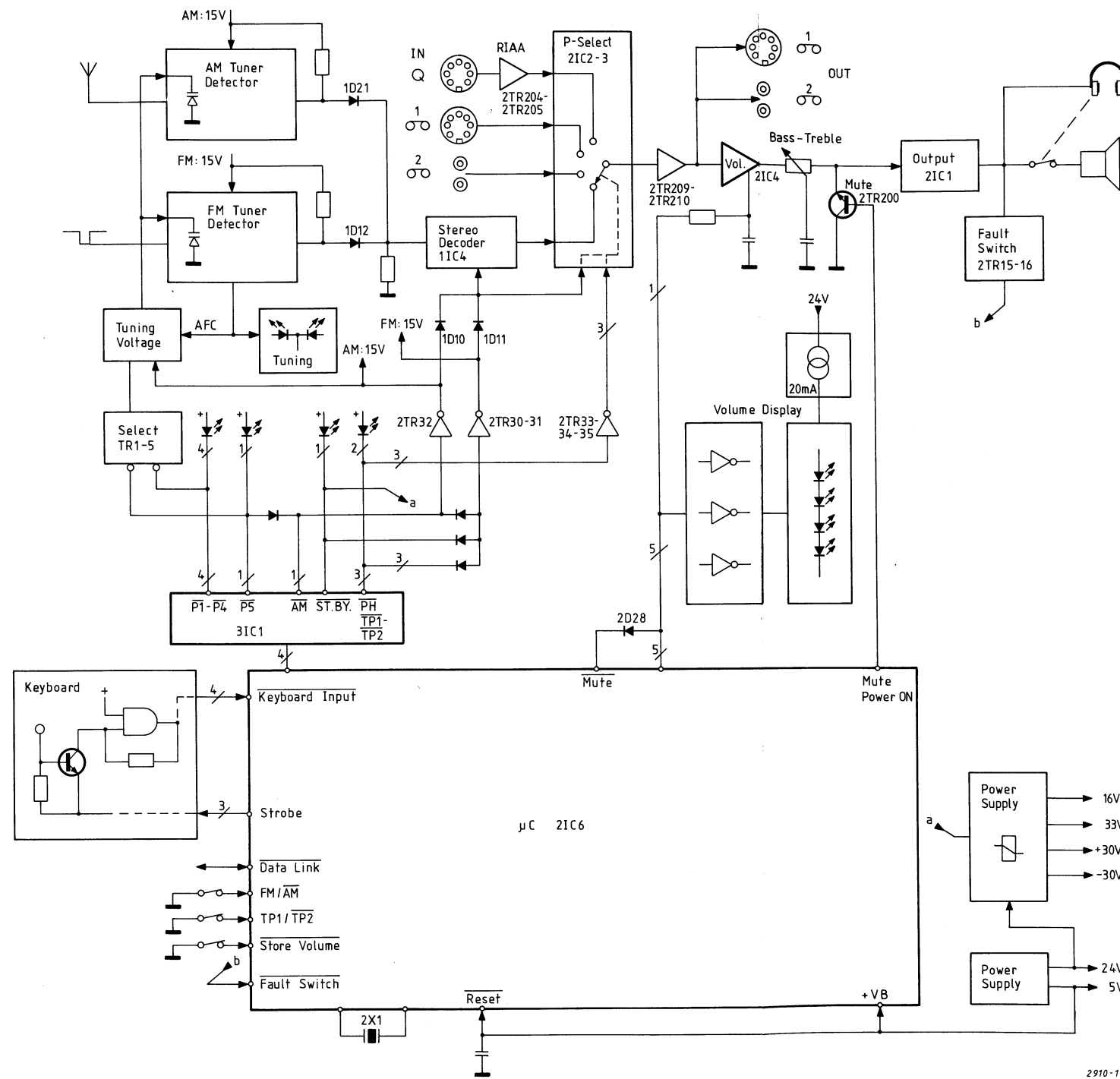


DIAGRAM A, type 2912/15/17 From serial no. 2930001

