

Bang & Olufsen

Beogram 8002

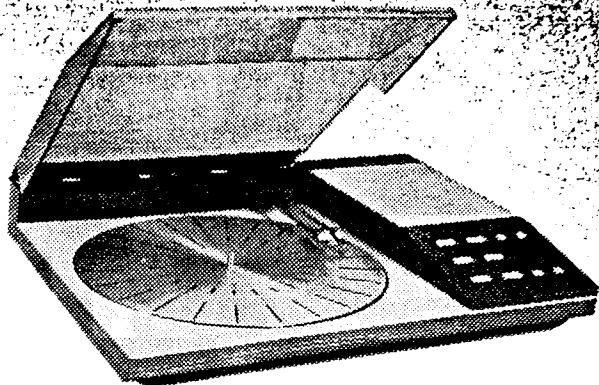
Type 5631/32/33/34/35/36/37

Beogram 8000

Type 5611/12/13/14/15/16/17

Beogram 6006

Type 5621/22/23/24/25/26/27



6.80

For Service Manuals Contact
MAURITRON TECHNICAL SERVICES
8 Cherry Tree Rd, Chinnor
Oxon OX9 4QY
Tel:- 01844-351694 Fax:- 01844-352554
Email:- enquiries@mauritron.co.uk

For Service Manuals
MAURITRON SERVICES
8 Cherry Tree Road, Chinnor
Oxfordshire, OX9 4QY.
Tel (01844) 351694
Fax (01844) 352554
email:- mauritron@dial.pipex.com



INDHOLD

Diagram og printtegninger	1
Transistorer, IC'er og dioder	2
Elektrisk stykliste	3
Mekanisk stykliste	4
Justeringer	5
Tekniske specifikationer	6
Adskillelse	7
Service tips og isolatontest	8

CONTENTS

Circuit diagram and PC-boards	1
Semi-conductors	2
List of electrical parts	3
List of mechanical parts	4
Adjustments	5
Technical specifications	6
Dismantling	7
Service tips and insulation test	8

INHALT

Schaltbild und Printplatten	1
Transistoren, IC'en und Dioden	2
Elektrische Stückliste	3
Mechanische Stückliste	4
Justierungen	5
Technische Daten	6
Zerlegung	7
Service tips und Isolationsprüfung	8

TABLE DES MATIERES

Schéma et circuits imprimés	1
Transistors, IC's et diodes	2
List des pièces détachées électriques	3
Liste des pièces détachées mécaniques	4
Réglages	5
Caractéristiques techniques	6
Démontage	7
Service tips et test d'isolation	8

DIAGRAMFORKLARING

På diagrammet er der angivet typenumre på transistorer og IC'er i de tilfælde, hvor typenummeret er entydigt for komponentens placering i kredsløbet – f. eks. TR20/BC 557B.

Hvis positionsnummeret er efterfulgt af en stjerne skal reservedelsnummeret benyttes, da denne komponent er specielt udvalgt – f. eks. TR102*.

Koordinatsystem

De største printplader er forsynet med et koordinatsystem. Komponenterne på disse printplader er på diagrammet forsynet med en koordinatbetegnelse, som fortæller i hvilket felt på printpladen de er placeret (mindre skrifttype end positionsnummeret – f. eks. B3).

EXPLANATION OF DIAGRAM

Type numbers of transistors and IC's have been indicated on the diagram in those cases where the type number is unambiguous for the position of the component in a circuitry – e. g. TR20/BC 557B.

If the position number is followed by an asterisk the spare part number **must be used** because this component has been especially selected – e. g. TR102*.

Co-ordinate System

The largest PC-boards have been provided with a co-ordinate system. The components on these PC-boards are provided with a grid reference on the diagram indicating in what grid they are positioned on the PC-board (smaller typing than position numbers – e. g. B3).

ERLÄUTERUNGEN ZUM SCHALTBILD

Auf dem Schaltbild sind Typen-Nummern für Transistoren und IC's in den Fällen angegeben, in denen die Typen-Nummer für die Placierung der Komponente in einem Schaltkreis eindeutig ist – z. B. TR20/BC 557B.

Wenn auf die Positionsnummer ein Stern folgt, **ist die Ersatzteilnummer zu benutzen**, da dies Komponente speziell ausgewählt werden ist – z. B. TR102*.

Koordinatensystem

Die grössten Printplatten sind mit einem Koordinatensystem versehen. Die Komponenten auf diesen Printplatten sind auf dem Schaltbild mit einer Koordinatennummer versehen, die erhält, in welcher Koordinate der Printplatte sie angebracht sind (kleinere Schrifttype als die der Positionsnummer – z. B. B3).

NOTICE EXPLICATIVE DES SCHEMAS

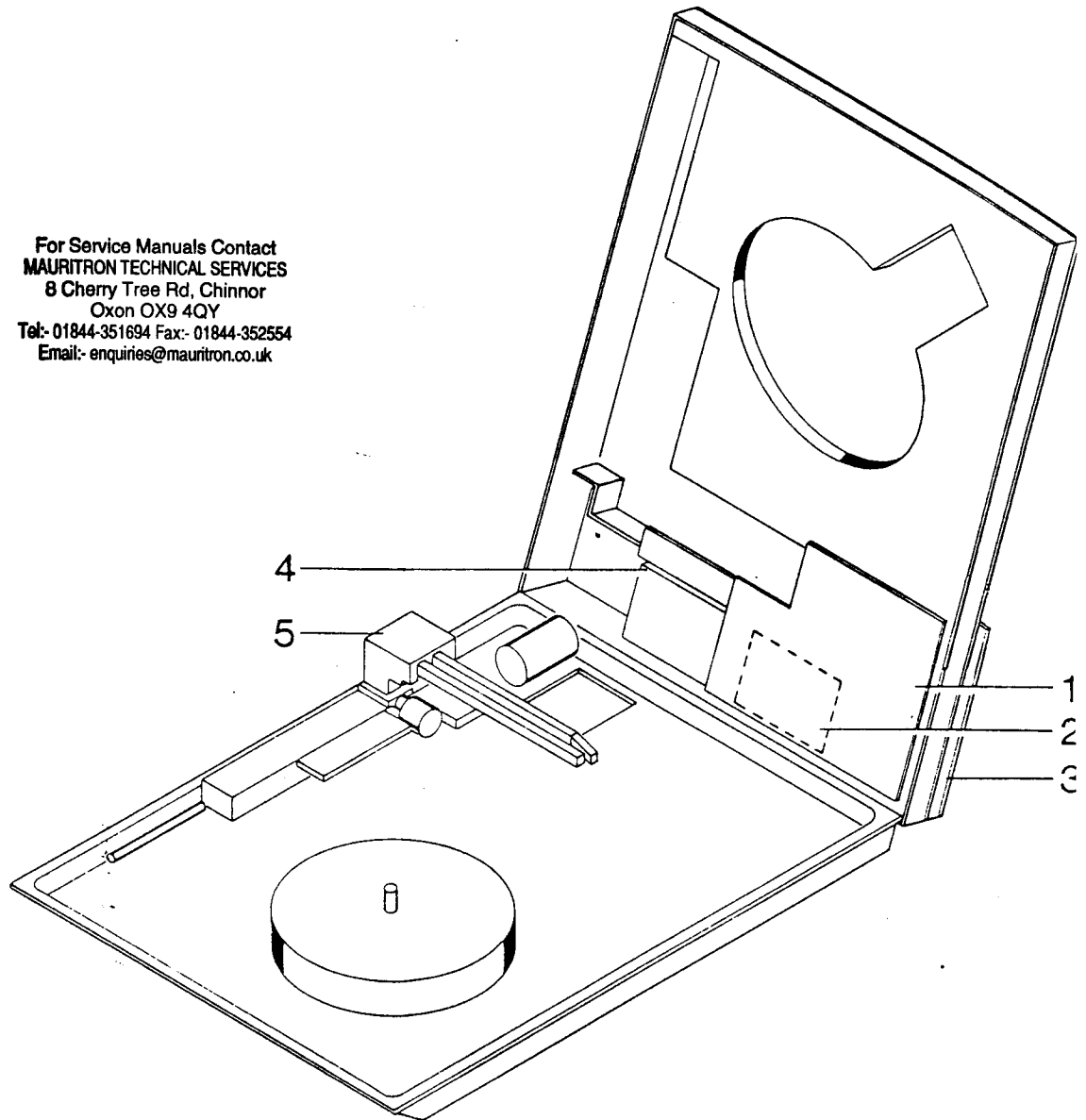
Sur les schémas, les numéros de types sont indiqués pour les transistors et les circuits intégrés dans les cas où le numéro de type est univoque pour la disposition du composant dans un circuit – par exemple TR20/BC557B.

Si le numéro de position est suivi par un astérisque, il **faut** utiliser le numéro de la pièce de rechange, étant donné qu'il agit dès lors d'un composant spécialement sélectionné – par exemple TR102*.

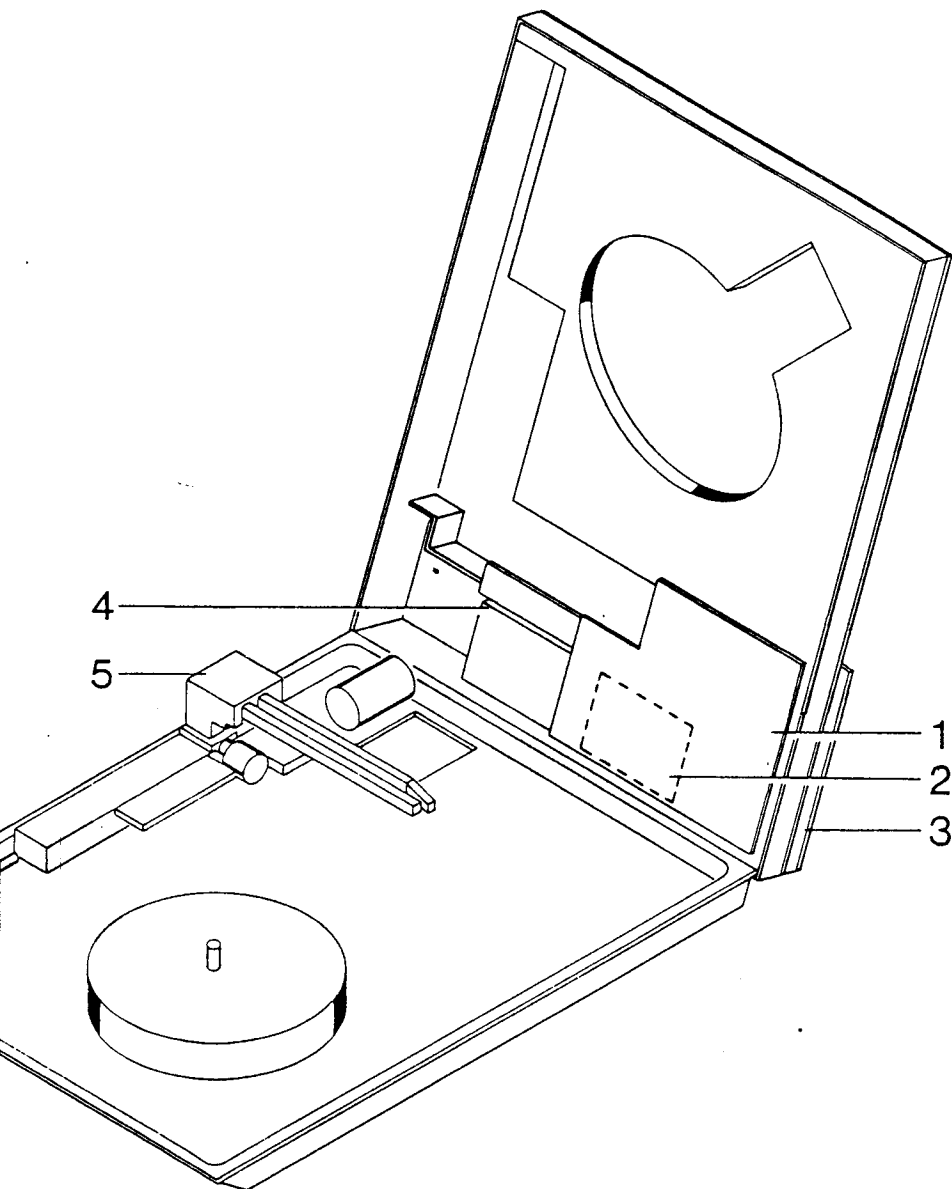
Système de coordonnées

Les plus grands circuits imprimés sont munis d'un système de coordonnées. Les composants de ces circuits imprimés portent un numéro de coordonnée sur le schéma qui indiquent dans quelle coordonnées ils sont placés sur le circuit imprimé (en caractères plus petit que ceux qui indiquent le numéro de position) – par exemple B3).

For Service Manuals Contact
MAURITRON TECHNICAL SERVICES
8 Cherry Tree Rd, Chinnor
Oxon OX9 4QY
Tel: 01844-351694 Fax: 01844-352554
Email: enquiries@mauritron.co.uk

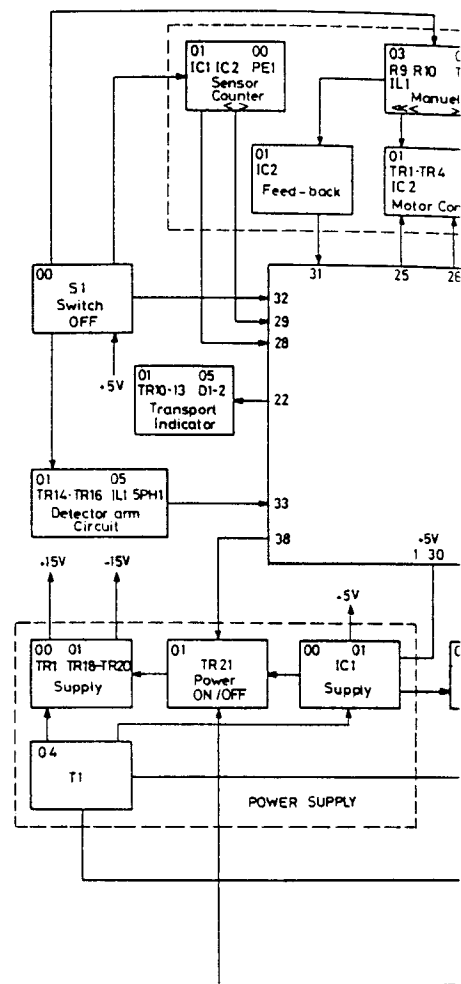


1. Control Circuits and Power Supply
2. Microcomputer
3. Operating Panel
4. Mains Transformer
5. Sliding Chassis



- 1. Control Circuits and Power Supply
- 2. Microcomputer
- 3. Operating Panel
- 4. Mains Transformer
- 5. Sliding Chassis

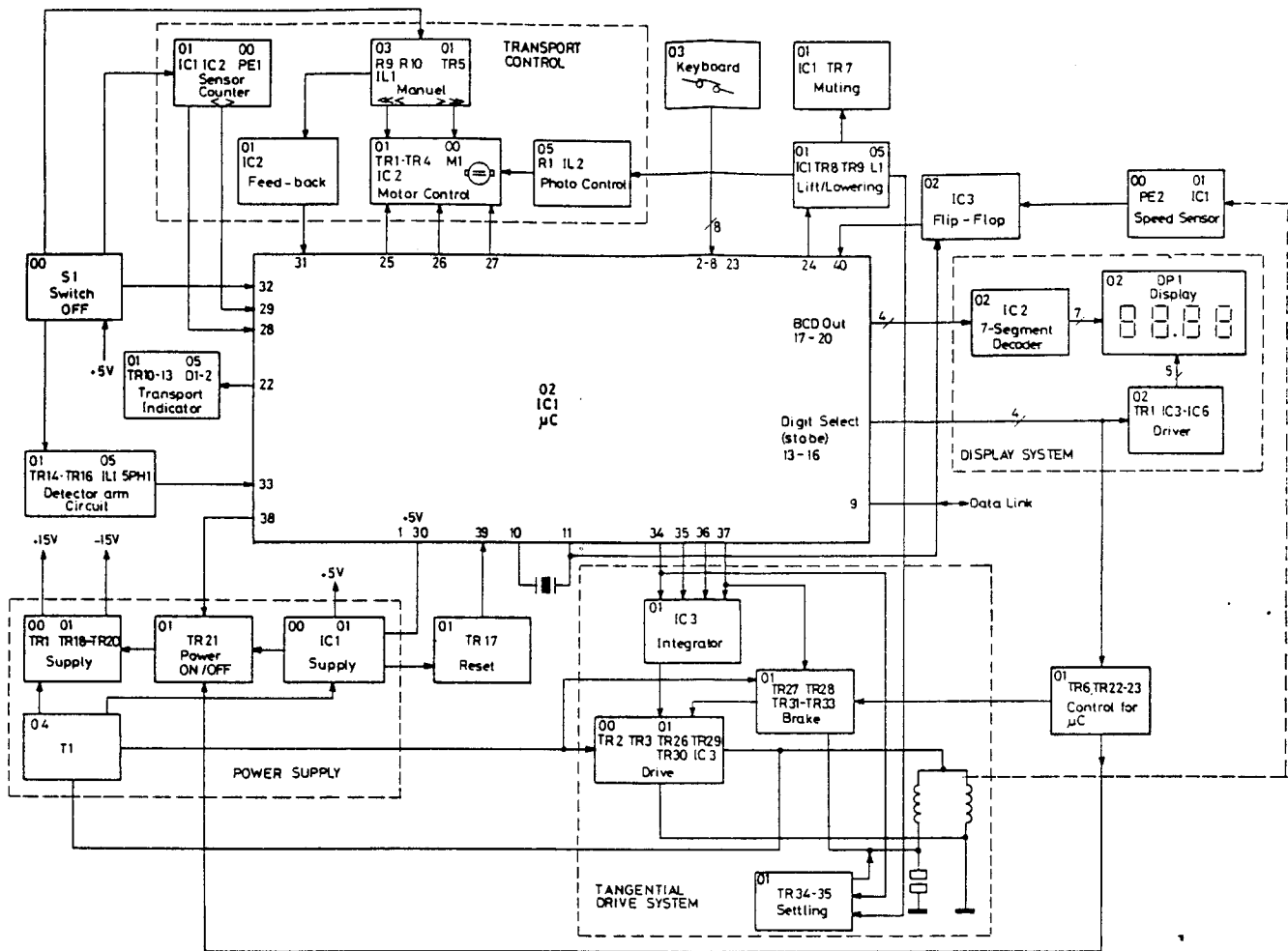
Block Diagram



2IC1 Pin Configuration

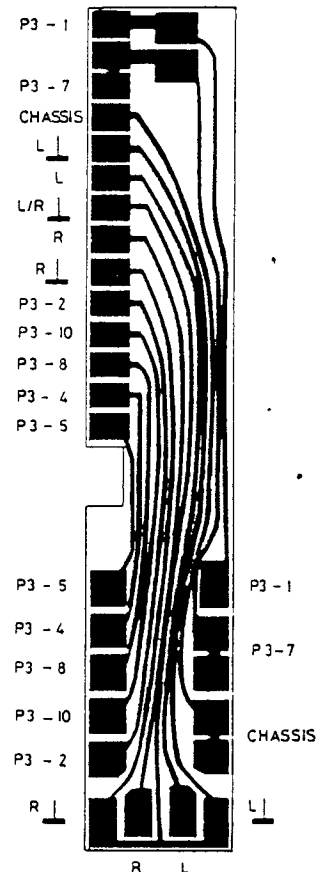
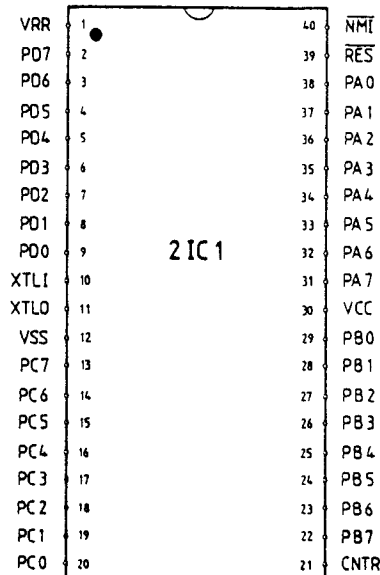
>
>

Block Diagram

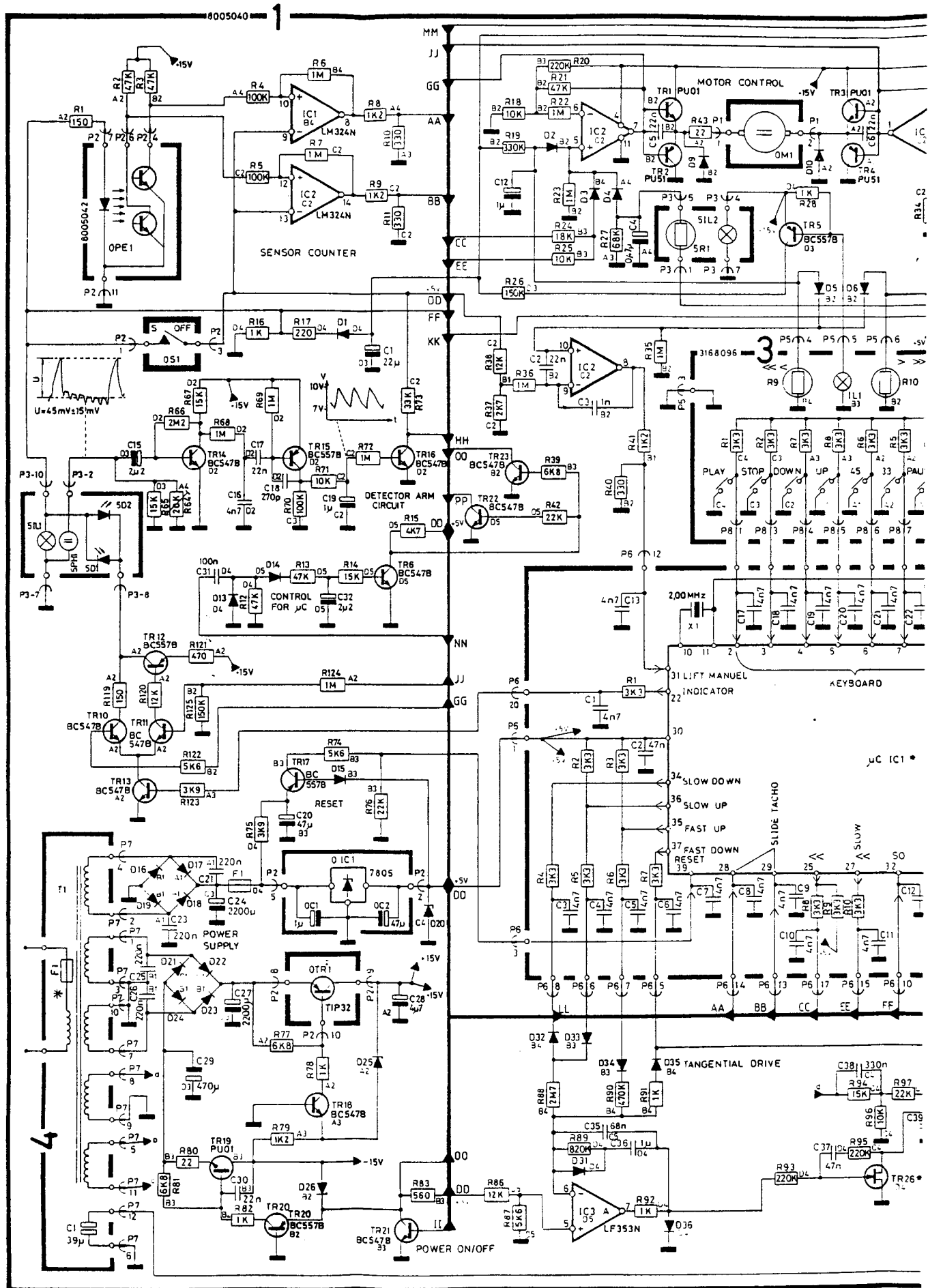


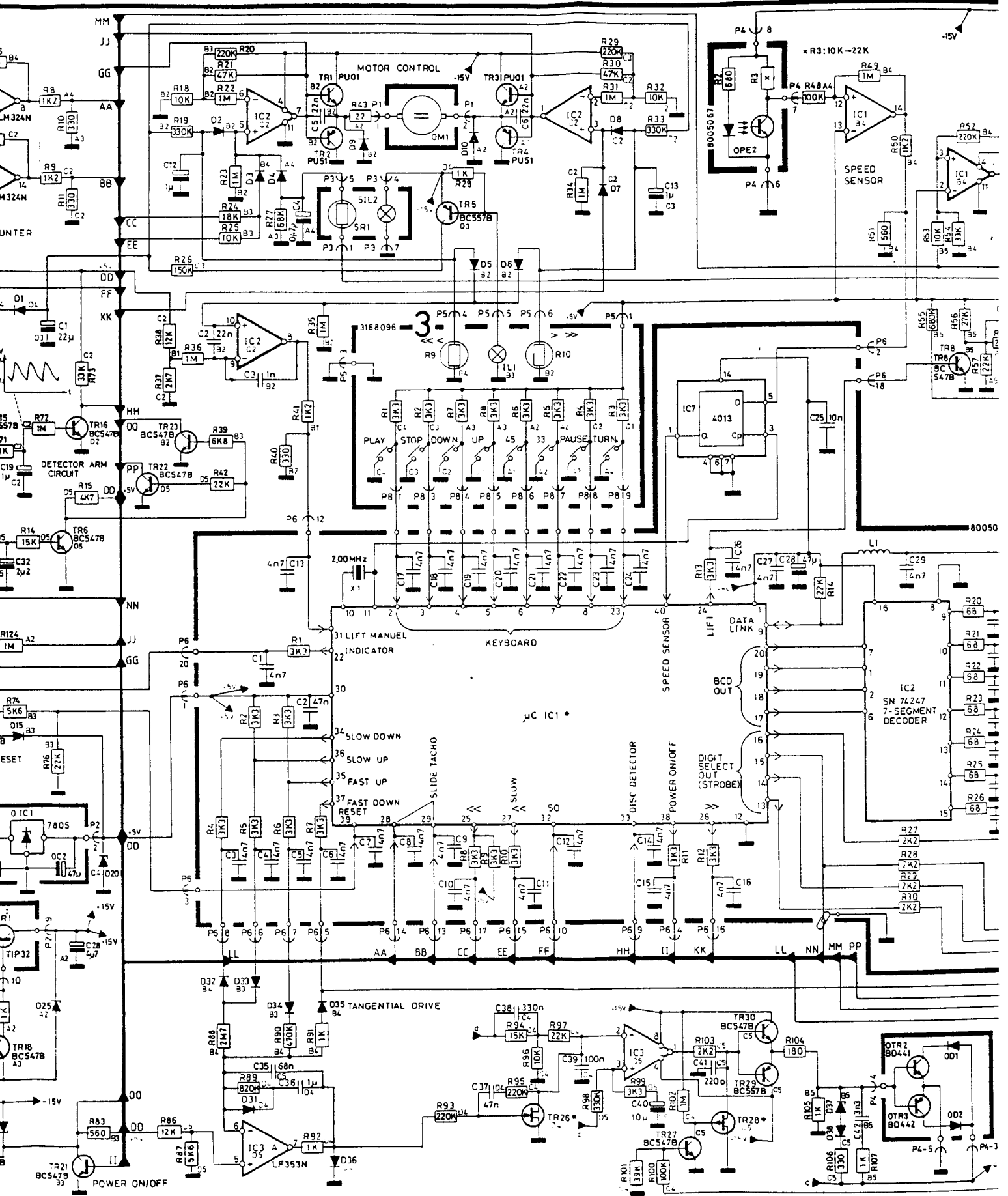
For Service Manuals Contact
MAURITRON TECHNICAL SERVICES
 8 Cherry Tree Rd, Chinnor
 Oxon OX9 4QY
 Tel: 01844-351694 Fax: 01844-352554
 Email: enquiries@mauritron.co.uk

2IC1 Pin Configuration



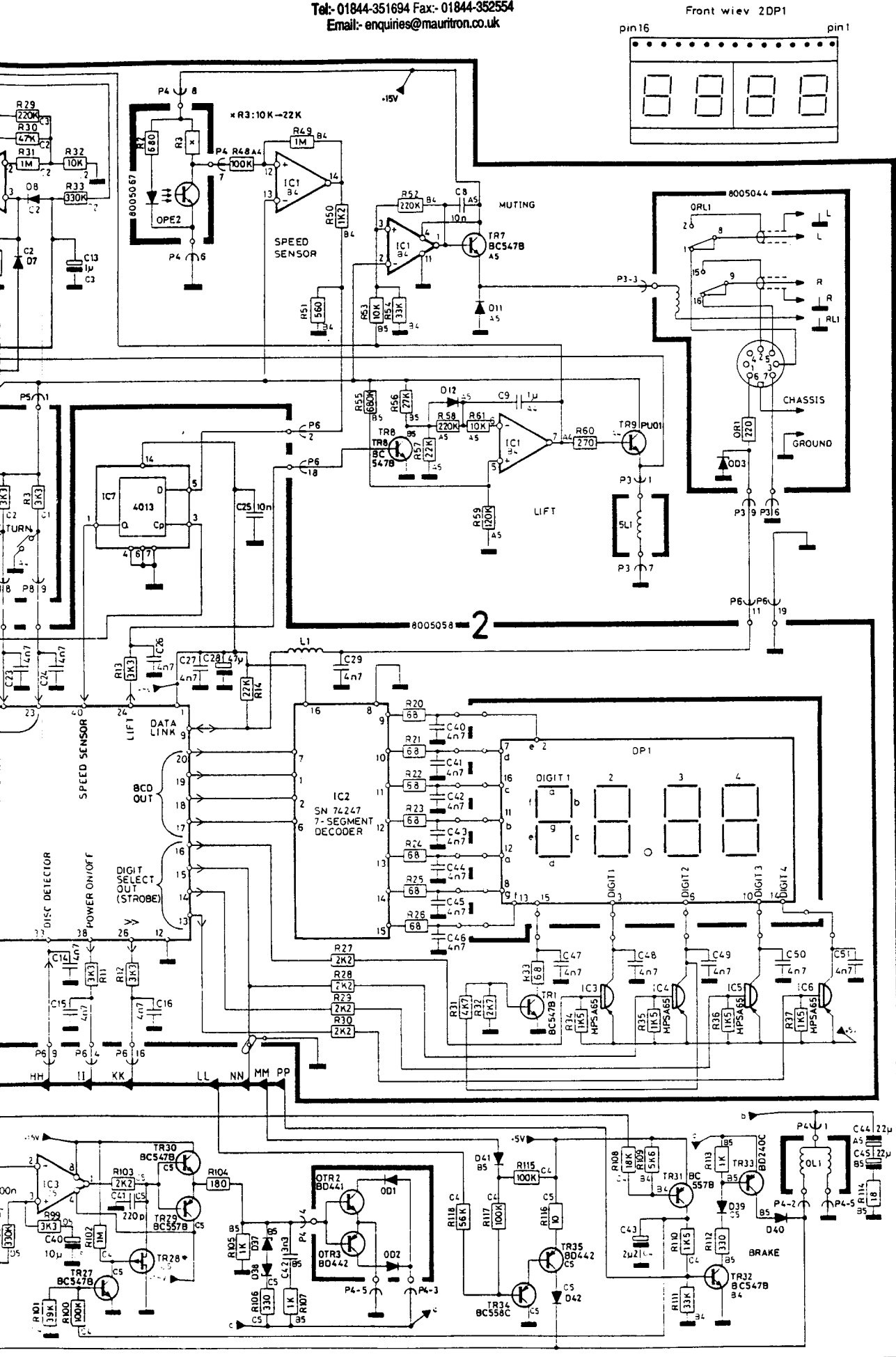
For Service Manuals Contact
MAURITRON TECHNICAL SERVICES
8 Cherry Tree Rd, Chinnor
Oxon OX9 4QY
Tel: 01844-351694 Fax: 01844-352554
Email: enquiries@mauritron.co.uk



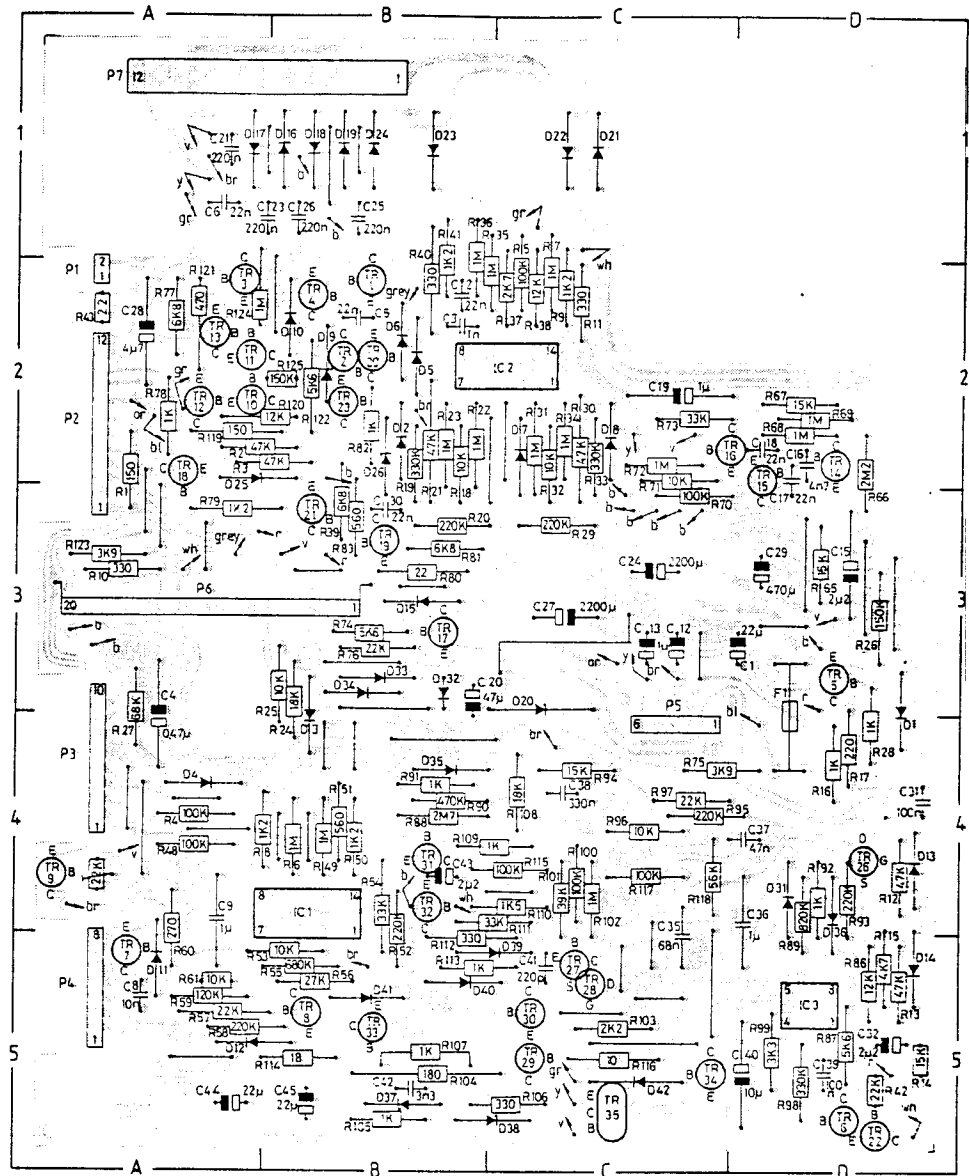


Bang & Olufsen

For Service Manuals Contact
MAURITRON TECHNICAL SERVICES
 8 Cherry Tree Rd, Chinnor
 Oxon OX9 4QY
 Tel: 01844-351694 Fax: 01844-352554
 Email: enquiries@mauritron.co.uk

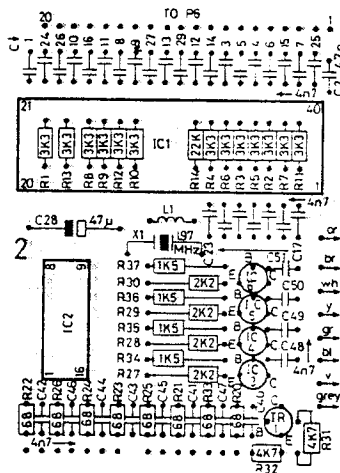


PCB1, Control Circuits and Power Supply



For Service Manuals Contact
MAURITRON TECHNICAL SERVICES
 8 Cherry Tree Rd, Chinnor
 Oxon OX9 4QY
 Tel: 01844-351694 Fax: 01844-352554
 Email: enquiries@mauritron.co.uk

PCB2, Microcomputer



PC-Boards are seen from copperfoil-side.

FUNCTION TABLE 2IC2 (SN74247)											
DECIMAL ON DISPLAY	INPUTS				OUTPUTS						
	D	C	B	A	a	b	c	d	e	f	g
0	0	0	0	0	0	0	0	0	0	0	1
1	0	0	0	1	1	0	0	1	1	1	1
2	0	0	1	0	0	0	1	0	0	1	0
3	0	0	1	1	0	0	0	0	1	1	0
4	0	1	0	0	1	0	0	1	1	0	0
5	0	1	0	1	0	1	0	0	1	0	0
6	0	1	1	0	0	1	0	0	0	0	0
7	0	1	1	1	0	0	0	1	1	1	1
8	1	0	0	0	0	0	0	0	0	0	0
9	1	0	0	1	0	0	0	0	1	0	0
	1	1	1	1	1	1	1	1	1	1	1

Explanation of the fuse symbols used in the set:

Explanation des symboles du fusible utilisés dans l'appareil:

T 300mA	
250V	

Replace with same type 300 mA – 250 V
slow acting fuse.

Remplacer par un fusible de même
type retardé et de 300 mA – 250V

T 800mA	
250V	

Replace with same type 800 mA – 250V
quick acting fuse.

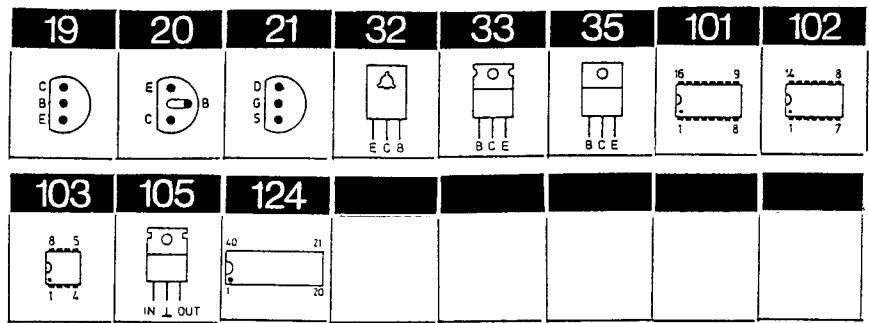
Remplacer par un fusible de même
type rapide et de 800 mA – 250V.

4C1	4F1★	Type
39 μ F	300 mA-S	5631
27 μ F	300 mA-S	5632
27 μ F	300 mA-S	5633
39 μ F	315 mA-S	5634
39 μ F	160 mA-S	5635
39 μ F	160 mA-S	5636
39 μ F	160 mA-S	5637 (AUS)

*0R3 10 – 33 kohms

For Service Manuals Contact
MAURITRON TECHNICAL SERVICES
 8 Cherry Tree Rd, Chinnor
 Oxon OX9 4QY
 Tel: 01844-351694 Fax: 01844-352554
 Email: enquiries@mauritron.co.uk

SEMICONDUCTORS



Transistors and IC's

For Service Manuals Contact
MAURITRON TECHNICAL SERVICES
 8 Cherry Tree Rd, Chinnor
 Oxon OX9 4QY
 Tel: 01844-351694 Fax: 01844-352554
 Email: enquiries@mauritron.co.uk

0TR1	8320257	33	TIP32	1TR21-23	8320097	20	BC 547B
0TR2	8320442	32	BD 441	1TR26	8320449	21	BF 244C
0TR3	8320443	32	BD 442	1TR27	8320097	20	BC 547B
0IC1	8340065	105	LM 7805 CT	1TR28	8320466	21	J 175
			105 UA 7805 UC	1TR29	8320152	20	BC 557B
			105 MC 7805 CT	1TR30	8320097	20	BC 547B
			105 UA 7805	1TR31	8320152	20	BC 557B
			CKC	1TR32	8320097	20	BC 547B
1TR1	8320422	19	PU 01	1TR33	8320447	35	BD 240C
1TR2	8320423	19	PU 51	1TR34	8320398	20	BC 558C
1TR3	8320422	19	PU 01	1TR35	8320443	32	BD 442
1TR4	8320423	19	PU 51	1IC1-2	8340157	102	LM 324N
1TR5	8320152	20	BC 557B				102 TDB 0124
1TR6-8	8320097	20	BC 547B				DP
1TR9	8320422	19	PU 01	1IC3	8340195	103	LF 353N
1TR10-11	8320097	20	BC 547B				103 TL 072 CP
1TR12	8320152	20	BC 557B				103 UAF 772 TC
1TR13-14	8320097	20	BC 547B	2TR1	8320097	20	BC 547B
1TR15	8320152	20	BC 557B	2IC1	8340454	124	R 1093
1TR16	8320097	20	BC 547B	2IC2	8340156	101	SN 74247N
1TR17	8320152	20	BC 557B	2IC3-6	8340025	19	MPSA 65
1TR18	8320097	20	BC 547B				19 SPS 5431
1TR19	8320422	19	PU 01	2IC7	8340261	102	HEF 4013 BP
1TR20	8320152	20	BC 557B				102 F 4013PC

LIST OF ELECTRICAL PARTS

OR1	5010092	220 kΩ ±5% 1/4μ	* OR3	10-22 kΩ ±5% 1/4W
OR2	5001026	680 Ω ±10% 1/2W		

OC1	4200426	1 μF 50V	ORL1	7600059	Relay 12V
OC2	4200364	47 μF 10V			

Control Circuits 80050088, PCB1

R1	5010057	150 Ω ±5% 1/4W	R65	5010053	15 kΩ ±5% 1/4W
R2	5010045	47 kΩ ±5% 1/4W	R66	5010245	2.2 MΩ ±5% 1/4W
R3	5010045	47 kΩ ±5% 1/4W	R67	5010053	15 kΩ ±5% 1/4W
R4	5100049	100 kΩ ±5% 1/4W	R68	5010054	1 MΩ ±5% 1/4W
R5	5010049	100 kΩ ±5% 1/4W	R69	5010054	1 MΩ ±5% 1/4W
R6	5010054	1 MΩ ±5% 1/4W	R70	5010049	100 kΩ ±5% 1/4W
R7	5010054	1 MΩ ±5% 1/4W	R71	5010059	10 kΩ ±5% 1/4W
R8	5010153	1.2 kΩ ±5% 1/4W	R72	5010054	1 MΩ ±5% 1/4W
R9	5010153	1.2 kΩ ±5% 1/4W	R73	5010075	33 kΩ ±5% 1/4W
R10	5010044	330 Ω ±5% 1/4W	R74	5010041	5.6 kΩ ±5% 1/4W
R11	5010044	330 Ω ±5% 1/4W	R75	5010069	3.9 kΩ ±5% 1/4W
R12	5010045	47 kΩ ±5% 1/4W	R76	5010079	22 kΩ ±5% 1/4W
R13	5010045	47 kΩ ±5% 1/4W	R77	5010052	6.8 kΩ ±5% 1/4W
R14	5010053	15 kΩ ±5% 1/4W	R78	5010040	1 kΩ ±5% 1/4W
R15	5010048	4.7 kΩ ±5% 1/4W	R79	5001030	1.2 kΩ ±10% 1/2W
R16	5010040	1 kΩ ±5% 1/4W	R80	5001004	22 Ω ±10% 1/2W
R17	5010092	220 Ω ±5% 1/4W	R81	5010052	6.8 kΩ ±5% 1/4W
R18	5010059	10 kΩ ±5% 1/4W	R82	5010040	1 kΩ ±5% 1/4W
R19	5010117	330 kΩ ±5% 1/4W	R83	5010067	560 Ω ±5% 1/4W
R20	5010120	220 kΩ ±5% 1/4W	R86	5010046	12 kΩ ±5% 1/4W
R21	5010045	47 kΩ ±5% 1/4W	R87	5010041	5.6 kΩ ±5% 1/4W
R22	5010054	1 MΩ ±5% 1/4W	R88	5010431	2.7 MΩ ±5% 1/4W
R23	5010054	1 MΩ ±5% 1/4W	R89	5010505	820 kΩ ±5% 1/4W
R24	5010135	18 kΩ ±5% 1/4W	R90	5010077	470 kΩ ±5% 1/4W
R25	5010059	10 kΩ ±5% 1/4W	R91	5010040	1 kΩ ±5% 1/4W
R26	5010063	150 kΩ ±5% 1/4W	R92	5010040	1 kΩ ±5% 1/4W
R27	5010062	68 kΩ ±5% 1/4W	R93	5010120	220 kΩ ±5% 1/4W
R28	5010040	1 kΩ ±5% 1/4W	R94	5010053	15 kΩ ±5% 1/4W
R29	5010120	220 kΩ ±5% 1/4W	R95	5010120	220 kΩ ±5% 1/4W
R30	5010045	47 kΩ ±5% 1/4W	R96	5010059	10 kΩ ±5% 1/4W
R31	5010054	1 MΩ ±5% 1/4W	R97	5010079	22 kΩ ±5% 1/4W
R32	5010059	10 kΩ ±5% 1/4W	R98	5010117	330 kΩ ±5% 1/4W
R33	5010117	330 kΩ ±5% 1/4W	R99	5010076	3.3 kΩ ±5% 1/4W
R34	5010054	1 MΩ ±5% 1/4W	R100	5010049	100 kΩ ±5% 1/4W
R35	5010054	1 MΩ ±5% 1/4W	R101	5010060	39 kΩ ±5% 1/4W
R36	5010054	1 MΩ ±5% 1/4W	R102	5010054	1 MΩ ±5% 1/4W
R37	5010298	2.7 kΩ ±5% 1/4W	R103	5010064	2.2 kΩ ±5% 1/4W
R38	5010046	12 kΩ ±5% 1/4W	R104	5002016	180 Ω ±10% 1W
R39	5010052	6.8 kΩ ±5% 1/4W	R105	5010040	1 kΩ ±5% 1/4W
R40	5010044	330 Ω ±5% 1/4W	R106	5010044	330 Ω ±5% 1/4W
R41	5010153	1.2 kΩ ±5% 1/4W	R107	5010040	1 kΩ ±5% 1/4W
R42	5010079	22 kΩ ±5% 1/4W	R108	5010135	18 kΩ ±5% 1/4W
R43	5001004	22 Ω ±10% 1/2W	R109	5010041	5.6 kΩ ±5% 1/4W
R48	5010049	100 kΩ ±5% 1/4W	R110	5010247	1.5 kΩ ±5% 1/4W
R49	5010054	1 MΩ ±5% 1/4W	R111	5010075	33 kΩ ±5% 1/4W
R50	5010153	1.2 kΩ ±5% 1/4W	R112	5001021	330 Ω ±10% 1/2W
R51	5010067	560 Ω ±5% 1/4W	R113	5010040	1 kΩ ±5% 1/4W
R52	5010120	220 kΩ ±5% 1/4W	R114	5010822	18 Ω ±5% 1/4W
R53	5010059	10 kΩ ±5% 1/4W	R115	5010049	100 kΩ ±5% 1/4W
R54	5010075	33 kΩ ±5% 1/4W	R116	5001001	10 Ω ±10% 1/2W
R55	5010074	680 kΩ ±5% 1/4W	R117	5010049	100 kΩ ±5% 1/4W
R56	5010141	27 kΩ ±5% 1/4W	R118	5010061	56 kΩ ±5% 1/4W
R57	5010079	22 kΩ ±5% 1/4W	R119	5010057	150 Ω ±5% 1/4W
R58	5010120	220 kΩ ±5% 1/4W	R120	5010046	12 kΩ ±5% 1/4W
R59	5010047	120 kΩ ±5% 1/4W	R121	5001024	470 Ω ±10% 1/2W
R60	5010000	270 Ω ±5% 1/4W	R122	5010041	5.6 kΩ ±5% 1/4W
R61	5010059	10 kΩ ±5% 1/4W	R123	5010069	3.9 kΩ ±5% 1/4W
R64	5370068	22 kΩ ±20% Lin.	R124	5010054	1 MΩ ±5% 1/4W

C1	4200100	22 μF 40V	C12	4200426	1 μF 50V
C2	4010060	22 nF -20+80% 40V	C13	4200426	1 μF 50V
C3	4010027	1 nF ±10% 100V	C15	4201035	2.2 μF 63V
C4	4200285	0.47 μF 63V	C16	4010063	4.7 nF ±10% 63V
C5	4010060	22 nF -20+80% 40V	C17	4010060	22 nF -20-80% 40V
C6	4130193	22 nF ±20% 63V	C18	4000071	270 pF ±5% 63V N750
C8	4010041	10 nF -20+80% 40V	C19	4200333	1 μF 63V
C9	4130155	1 μF ±10% 100V	C20	4200483	47 μF 16V
C11	4010041	10 nF -20-80% 40V	C21	4130215	220 nF ±20% 63V

For Service Manuals Contact
MAURITRON TECHNICAL SERVICES
 8 Cherry Tree Rd, Chinnor
 Oxon OX9 4QY
 Tel: 01844-351694 Fax: 01844-352554
 Email: enquiries@mauratron.co.uk

C23	4130215	220 nF ±20% 63V	C36	4130155	1 µF ±10% 100V
C24	4200392	2200 µF 16V	C37	4130210	47 nF ±20% 63V
C25	4130215	220 nF ±20% 63V	C38	4130171	330 µF ±20% 63V
C26	4130215	220 nF ±20% 63V	C39	4130179	100 nF ±20% 63V
C27	4200393	2200 µF 63V	C40	4200342	10 µF 63V
C28	4200322	4.7 µF 63V	C41	4010021	220 pF ±10% 100V
C29	4200275	470 µF 40V	C42	4011025	3.3 nF ±10% 100V
C30	4010060	22 µF -20+80% 40V	C43	4200423	2.2 µF 50V
C31	4130179	100 nF ±20% 63V	C44	4201078	22 µF 63V
C32	4200423	2.2 µF 50V	C45	4201078	22 µF 63V
C35	4130100	68 nF ±10% 250V			

F1	6604004	Fuse 800 mA-F/250V IEC 127
	7500002	Holder f/fuse
	7500013	Contact pin

P1	7220176	Plug 2 pins	P5	7210234	Socket 6/5 pins
P2	7220199	Plug 12 pins	P6	7210287	Socket 20 pins
P3	7220169	Plug 10 pins	P7	7220187	Plug 12 pins
P4	7220168	Plug 8 pins			

Microcomputer 8005086, PCB2

R1	5010827	3.3 kΩ ±5% 1/4W	R22	5010039	68 Ω ±5% 1/4W
R2	5010827	3.3 kΩ ±5% 1/4W	R23	5010039	68 Ω ±5% 1/4W
R3	5010827	3.3 kΩ ±5% 1/4W	R24	5010039	68 Ω ±5% 1/4W
R4	5010827	3.3 kΩ ±5% 1/4W	R25	5010039	68 Ω ±5% 1/4W
R5	5010827	3.3 kΩ ±5% 1/4W	R26	5010039	68 Ω ±5% 1/4W
R6	5010827	3.3 kΩ ±5% 1/4W	R27	5010064	2.2 kΩ ±5% 1/4W
R7	5010827	3.3 kΩ ±5% 1/4W	R28	5010064	2.2 kΩ ±5% 1/4W
R8	5010827	3.3 kΩ ±5% 1/4W	R29	5010064	2.2 kΩ ±5% 1/4W
R9	5010827	3.3 kΩ ±5% 1/4W	R30	5010064	2.2 kΩ ±5% 1/4W
R10	5010827	3.3 kΩ ±5% 1/4W	R31	5010048	4.7 kΩ ±5% 1/4W
R11	5010827	3.3 kΩ ±5% 1/4W	R32	5010298	2.7 kΩ ±5% 1/4W
R12	5010827	3.3 kΩ ±5% 1/4W	R33	5010039	68 Ω ±5% 1/4W
R13	5010827	3.3 kΩ ±5% 1/4W	R34	5010247	1.5 kΩ ±5% 1/4W
R14	5010833	22 kΩ ±5% 1/4W	R35	5010247	1.5 kΩ ±5% 1/4W
R20	5010039	68 Ω ±5% 1/4W	R36	5010247	1.5 kΩ ±5% 1/4W
R21	5010039	68 Ω ±5% 1/4W	R37	5010247	1.5 kΩ ±5% 1/4W

For Service Manuals Contact
MAURITRON TECHNICAL SERVICES
8 Cherry Tree Rd, Chinnor
Oxon OX9 4QY

Tel: 01844-351694 Fax: 01844-352554
Email: enquiries@mauritron.co.uk

C1	4010063	4.7 nF ±10% 63V	C22	4010063	4.7 nF ±10% 63V
C2	4030015	47 nF -20+80% 16V	C23	4010063	4.7 nF ±10% 63V
C3	4010063	4.7 nF ±10% 63V	C24	4010063	4.7 nF ±10% 63V
C4	4010063	4.7 nF ±10% 63V	C25	4010041	10 nF -20+80% 40V
C5	4010063	4.7 nF ±10% 63V	C26	4010063	4.7 nF ±10% 63V
C6	4010063	4.7 nF ±10% 63V	C27	4010063	4.7 nF ±10% 63V
C7	4010063	4.7 nF ±10% 63V	C28	4200364	47 µF 10V
C8	4010063	4.7 nF ±10% 63V	C29	4010063	4.7 nF ±10% 63V
C9	4010063	4.7 nF ±10% 63V	C40	4010063	4.7 nF ±10% 63V
C10	4010063	4.7 nF ±10% 63V	C41	4010063	4.7 nF ±10% 63V
C11	4010063	4.7 nF ±10% 63V	C42	4010063	4.7 nF ±10% 63V
C12	4010063	4.7 nF ±10% 63V	C43	4010063	4.7 nF ±10% 63V
C13	4010063	4.7 nF ±10% 63V	C44	4010063	4.7 nF ±10% 63V
C14	4010063	4.7 nF ±10% 63V	C45	4010063	4.7 nF ±10% 63V
C15	4010063	4.7 nF ±10% 63V	C46	4010063	4.7 nF ±10% 63V
C16	4010063	4.7 nF ±10% 63V	C47	4010063	4.7 nF ±10% 63V
C17	4010063	4.7 nF ±10% 63V	C48	4010063	4.7 nF ±10% 63V
C18	4010063	4.7 nF ±10% 63V	C49	4010063	4.7 nF ±10% 63V
C19	4010063	4.7 nF ±10% 63V	C50	4010063	4.7 nF ±10% 63V
C20	4010063	4.7 nF ±10% 63V	C51	4010063	4.7 nF ±10% 63V
C21	4010063	4.7 nF ±10% 63V			

P8	6273911	Wires w/socket	L1	8020342	10 mH
	6200015	Flat cable - 7			
	6200029	Flat cable - 10	X1	8090021	2 MHz
	7200057	Socket for IC1			
	8005065	PCB w/IC7			

Operating Panel 3168096, PCB3

R1	5010076	3.3 k Ω \pm 5% 1/4W	R6	5010076	3.3 k Ω \pm 5% 1/4W
R2	5010076	3.3 k Ω \pm 5% 1/4W	R7	5010076	3.3 k Ω \pm 5% 1/4W
R3	5010076	3.3 k Ω \pm 5% 1/4W	R8	5010076	3.3 k Ω \pm 5% 1/4W
R4	5010076	3.3 k Ω \pm 5% 1/4W	R9	5210009	Photo resistor
R5	5010076	3.3 k Ω \pm 5% 1/4W	R10	5210009	Photo resistor

IL1 8230068 18V/30 mA

P5 6200030 Flat cable 6/5
P8 7220144 Plug 9/8 pins

Mains Transformer, Module 4

C1	4200391	39 μ F 55V type 5631	F1	6600040	300 mA slow type 5631
C1	4200448	27 μ F 55V type 5632	F1	6600040	300 mA slow type 5632
C1	4200448	27 μ F 55V type 5633	F1	6600040	300 mA slow type 5633
C1	4200391	39 μ F 55V type 5634	F1	6600028	315 mA slow type 5634
C1	4200391	39 μ F 55V type 5635	F1	6600039	160 mA slow type 5635
C1	4200391	39 μ F 55V type 5636	F1	6600039	160 mA slow type 5636
C1	4200391	39 μ F 55V type 5637	F1	6600039	160 mA slow type 5637

Sliding Chassis Module 5

P7 7210203 Socket 12 pins

IL1	8230069	5V 60 mA	R1	5210009	Photo resistor
IL2	8230068	18V 30 mA	PH1	8760002	

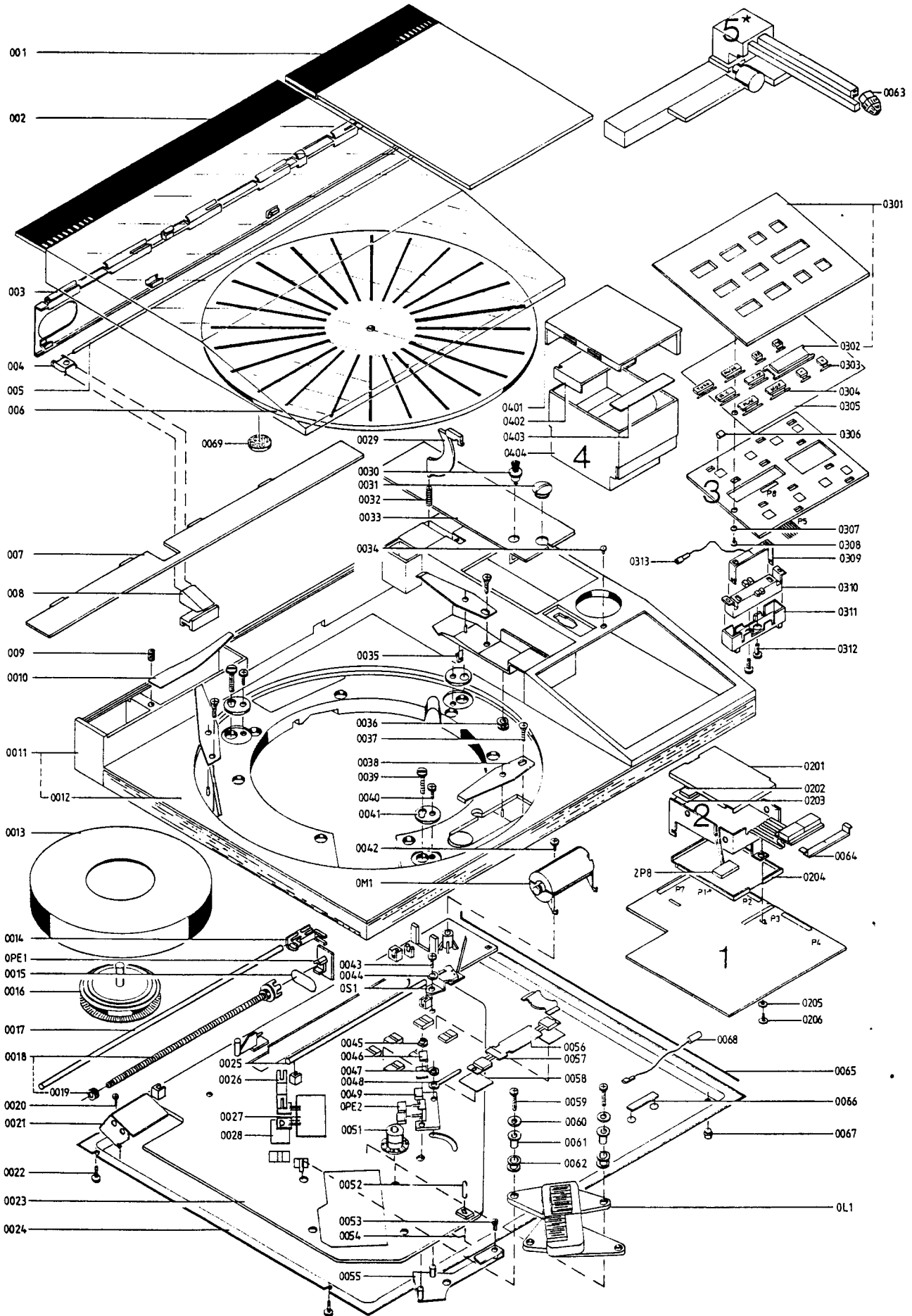
L1 6810008 Coil

Beogram 8000 and 6006

ORL1	7600059	Relay (Omron)
IIC1	8340157	LM 324N
1D37	8300314	ZPD 47
1D38	8300314	ZPD 47

For Service Manuals Contact
MAURITRON TECHNICAL SERVICES
8 Cherry Tree Rd, Chinnor
Oxon OX9 4QY
Tel: 01844-351694 Fax: 01844-352554
Email: enquiries@mauritron.co.uk

BEOGRAM 8002



List of Mechanical Parts

001	3164425	Lid	0033	3458252	Cover
* 002	3164497	Dust cover	0034	3010007	Stop
* 003	3030067	Back part	0035	2640040	Locking plate
004	2542527	Hinge	0036	2938095	Rubber bushing
005	2831043	Shaft	0037	2013028	Screw 2.9 x 16
* 006	2726148	Turntable	0038	2816184	Leaf spring
007	3162131	Cover	0039	2042216	Screw AM4 x 16
008	3030048	Bracket	0040	2013207	Screw 2.9 x 9.5
009	2072102	Threaded pin M4 x 12	0041	2641097	Clamp
0010	2816168	Leaf spring	0042	2015903	Screw 3.5 x 9.5
0011	3413911	Cabinet, teak	0043	2043013	Screw M4 x 6
	3413913	Cabinet, rosewood	0044	2624038	Washer 4.2
	3413914	Cabinet, oak	0045	2390081	Locking ring 4
	3413915	Cabinet, white	0046	3151177	Holder
0012	3458274	Aluminium top plate	0047	2390081	Locking ring 4
0013	2871009	Rotor	0048	7530091	Solder tag
0014	3152293	Holder	0049	3151178	Holder
0015	2732045	Belt	0051	2938186	Bearing
0016	2726123	Hub	0052	2514028	Hook
0017	2830092	Shaft, 50 Hz	0053	2013906	Screw 2.9 x 6.5
	2830099	Shaft, 60 Hz	0054	2894045	Spring
0018	2993034	Spindle	0055	2852041	Arm
0019	2389057	Threaded bushing	0056	2816163	Bronze spring
0020	2039027	Screw AM3 x 6, black	0057	6140697	PCB 01C1/TR1
0021	8005044	PCB Muting	0058	3170169	Mica sheet
	3302348	Screen for ORL1	0059	2043013	Screw M4 x 16
0022	2039027	Screw AM3 x 6, black	0060	2622024	Washer 4.3
0023	3114156	Floating chassis	0061	2390079	Bushing
0024	3454236	Bottom	0062	2938149	Rubber bushing
0025	2830093	Shaft	* 0063	8954830	MMC2 (replacement)
0026	2816160	Bronze spring	0064	3151173	Bronze spring
0027	6140698	PCB 0TR2/3	0065	2830084	Shaft
0028	3170169	Mica sheet	0066	3152101	Holder
0029	3011012	Friction arm	0067	3103067	Rubber foot
* 0030	3627013	Cleansing brush	0068	6273957	Chassis connection
0031	2775659	Button	0069	3333013	Rubber washer
0032	2810096	Spring			

For Service Manuals Contact
MAURITRON TECHNICAL SERVICES
 8 Cherry Tree Rd, Chinnor
 Oxon OX9 4QY
 Tel: 01844-351694 Fax: 01844-352554
 Email: enquiries@mauratron.co.uk

00L1	3351012	Stator for drive motor	00PE2	8005067	PCB Tacho - light coupler
00M1	8400100	Servo motor	00S1	7400242	Micro switch
00PE1	8330056	PCB servo motor - light coupler			

* 01Modul 8005088 PCB1 Control
 3152214 Cable binder

02Modul 8005086	PCB2 Microprocessor	0205	2622052	Fibre washer	
8005065	PCB Flip-flop	0206	2013095	Screw 2.9 x 9.5	
0201	3162136	Cover	2938001	Bushing	
0202	3947092	Tape	3947093	Tape	
0203	3358168	Heat sink	02P8	6273911	Wire bundle
0204	3162136	Cover			

* 03Modul 3168096 Operating panel
 0301 3168168 Panel
 0302 3370123 Window
 * 0303 2775706 Set of knobs, small
 * 0304 2775705 Set of knobs, large
 0305 3947075 Polyester tape
 0306 7500148 Contact spring
 0307 2622005 Fibre washer 2.2
 0308 2011305 Screw 2.2 x 3.2
 0309 2816158 Bronze spring
 0310 3131157 Housing
 0311 3164324 Cover
 0312 2044017 Screw M5 x 10
 0313 6273952 Chassis connection
 03P5 6200030 Flat cable 6 pol.

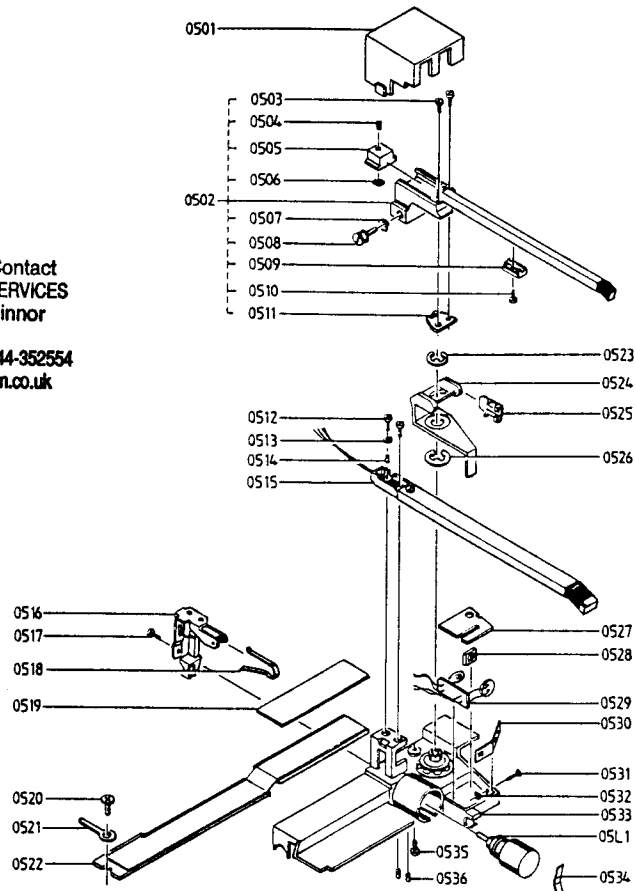
04Modul 8013240	Type 5631, 100V - 50 Hz	0401	3164321	Cover
8013241	Type 5632, 100V - 60 Hz	0402	7200052	Holder for fuse
8013242	Type 5633, 120V - 60 Hz	0403	2645034	Insulation piece
8013243	Type 5634, 127V - 50 Hz	0404	3131159	Housing
8013205	Type 5635, 220V - 50 Hz			
8013244	Type 5636, 240V - 50 Hz			
8013245	Type 5637, 240V - 50 Hz			

* 05Modul 8055026 Sliding chassis

* see Beogram 8000/6006

Sliding Chassis 8055026

For Service Manuals Contact
MAURITRON TECHNICAL SERVICES
 8 Cherry Tree Rd, Chinnor
 Oxon OX9 4QY
 Tel: 01844-351694 Fax: 01844-352554
 Email: enquiries@mauratron.co.uk



0501	3164481	Cover	0519	3302319	Cover
0502	3152378	Arm, complete	0520	2043024	Screw M4 x 6
0503	2034045	Screw AM2 x 6	0521	7530091	Solder tag
0504	2072703	Threaded pin	0522	8005043	PCB flexible with bracket
0505	3342074	Counter weight	0523	2390033	E-ring 5
0506	2380054	Square nut M3	0524	3150050	Bearing holder
0507	2812089	Spring	0525	2816157	Spring
0508	2038077	Adjustment screw	0526	2390079	Spring washer Ø6
0509	3190085	Sliding indicator	0527	3164319	Cover
0510	2034236	Screw AM2 x 3	0528	3375032	Magnifier
0511	2641090	Clamp	0529	8005054	PCB 5R1/IL2
0512	2038247	Screw AM3 x 6	0530	2816164	Aperture
0513	2622041	Washer 3.2	0531	2034014	Adjustment screw AM2 x 8
0514	6430067	Silicon insulation	0532	2380068	Square nut M2
0515	2850116	Slave arm, complete	0533	3114172	Slide
0516	2530396	Bracket	0534	2816165	Bronze spring
0517	2034236	Screw AM2 x 3	0535	2038212	Screw AM3 x 8
0518	2816185	Spring	0536	6430067	Silicone insulation

05L1 6810008 Coil

Parts Not Shown

3015085	Record adaptor	3390114	Plastic bag for cover
6270213	Connector 7 pol.	3917041	Foam block
6270204	Connector 5 pol.	3917045	Foam insert
6273846	Bundle of wires 12 pol./P2	6271119	Mains connector type 5631/32
6273845	Bundle of wires 10 pol./P3	6100012	Mains connector type 5633
6273847	Bundle of wires 8 pol./P4	6271102	Mains connector type 5634/35/36
3535077	Diagram	6271161	Mains connector type 5637
3391538	Outer carton		
3397428	Foam packing set		

**Beogram 8000 and 6006,
Type 561x and 2x**

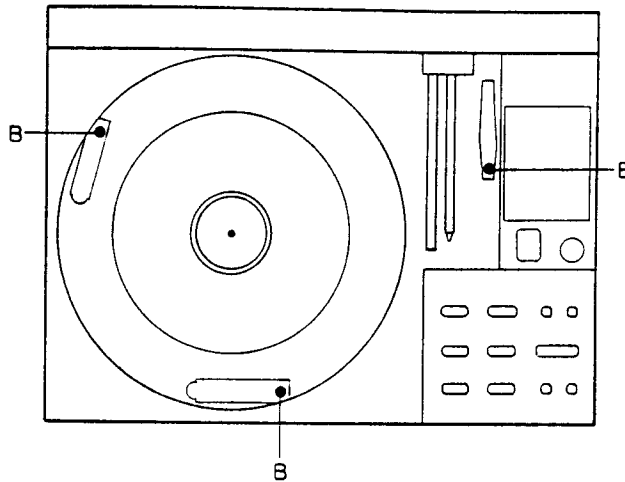
002	3164426	Dustcover 561x	006	2726118	Turntable
	3164132	Dust cover 562x	0030	3627007	Brush
003	3030039	Back part	0063	8954670	MMC 20CL (replacement)
<hr/>					
01Modul	8005040	PCB1, Control	03Modul	3168203	Operating panel 562x
02Modul	8005058	PCB2, Microprocessor	0303	2775900	Set of knobs, black
<hr/>					
05Modul	8055024	Sliding chassis complete	0540	2390079	Spring washer Ø6
0539		To be deleted in service manual			
<hr/>					

For Service Manuals Contact
MAURITRON TECHNICAL SERVICES
8 Cherry Tree Rd, Chinnor
Oxon OX9 4QY
Tel: 01844-351694 Fax: 01844-352554
Email: enquiries@mauritron.co.uk

ADJUSTMENTS

For some adjustments it is necessary to be able to operate the record player functions with a stationary turntable. The stationary state is obtained by **disconnecting the mains voltage**, removing P4 and reconnecting the mains voltage.

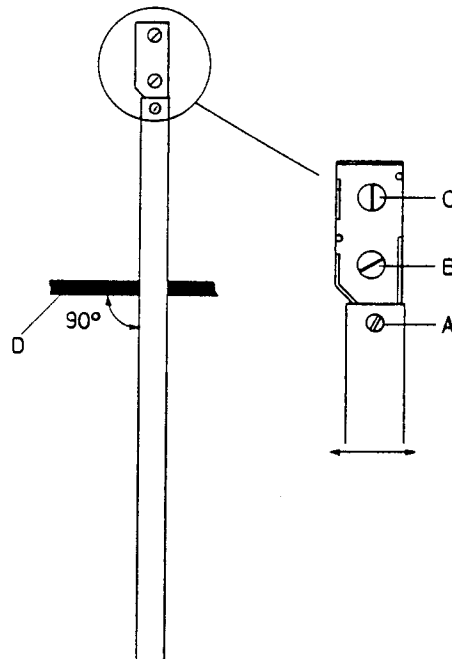
Drive Unit Height



Adjust the screws B – while putting the turntable on and taking it off again – until the top edge of the turntable is 2 mm higher than the cover plate.

Tightening of the Detector Arm

For Service Manuals Contact
MAURITRON TECHNICAL SERVICES
 8 Cherry Tree Rd, Chinnor
 Oxon OX9 4QY
 Tel:- 01844-351694 Fax:- 01844-352554
 Email:- enquiries@maurtron.co.uk



Loosen the screws B and C.

Tighten the screw B very gently.

Turn the detector arm until it is at right angles to the rod D.

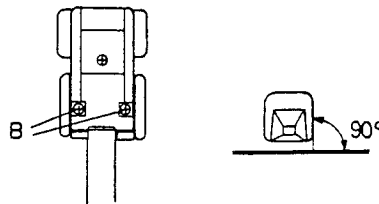
Tighten the screws B and C.



After tightening, check that the height between the upperside of the detector arm down to the turntable is 19.5 mm.

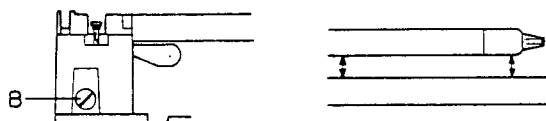
Adjustment is done with the screw A.

Pick-up Parallelism



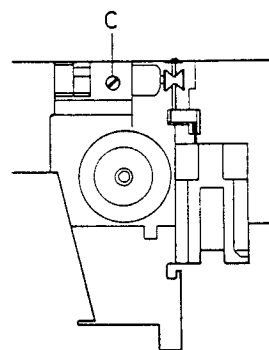
Adjust the screws B – by loosening and tightening respectively – until the side of the pick-up is at right angles to the turntable.

Vertical Parallelism of the Pick-up Arm



Adjust the screw B gently until the pick-up arm vertically parallels the detector arm.

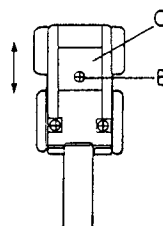
Horizontal Parallelism of the Pick-up Arm



Adjust the screw C (to be found under the bottom of the carrier unit) until the pick-up arm horizontally parallels the detector arm.

For Service Manuals Contact
MAURITRON TECHNICAL SERVICES
8 Cherry Tree Rd, Chinnor
Oxon OX9 4QY
Tel: 01844-351694 Fax: 01844-352554
Email: enquiries@mauritron.co.uk

Pick-up Arm Balancing



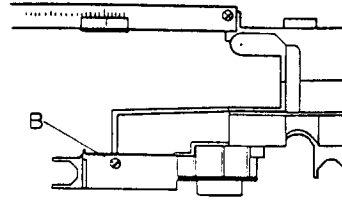
Set stylus pressure at 0.

Loosen screw B.

With the pick-up arm lowered, move the counterbalancing weight C in either of the arrow directions until the pick-up is balanced.

Tighten the screw B and set the stylus pressure at 1 g with MMC2.

Aperture for Photo Control



Adjust the aperture with testing record 3621001 in cutting 5.

Take the pick-up arm across to cutting 5 (stationary turntable) and lower it.

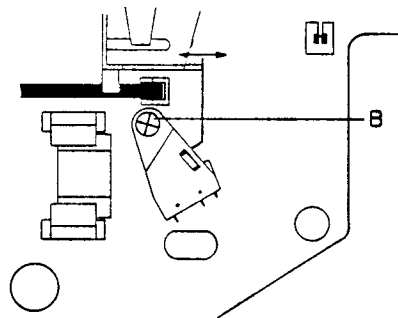
Make sure that the aperture housing is not exposed to any stray light such as a bench lamp.

Make the adjustment with the screw B in such a way that the first servo mechanism regulation after set-down will take place after 2 ± 1 rotations of the turntable and then after each rotation.

To test the aperture regulation only, check that it regulates within 1/2 to 6 revolutions.

It is **possible** to adjust without disassembly, by only removing the black cover which houses the pick-up brush. This adjustment is to be made as above, the only difference being that the turntable must be braked to stop with the hand.

SO Switch

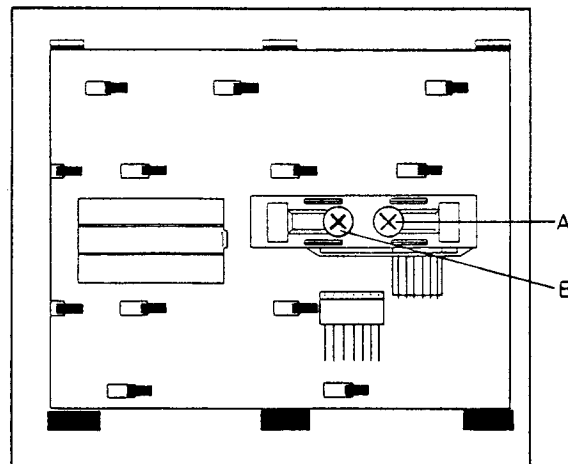


Activate Play with a stationary turntable and with a record with correct 30 cm set-down (146.3 mm to 148.25 mm from the record centre).

Notice the 30 cm set-down position of the pick-up.

Loosen the screw B and move the SO switch in either of the arrow directions so as to compensate for any misplaced set-down.

Manual << and >>

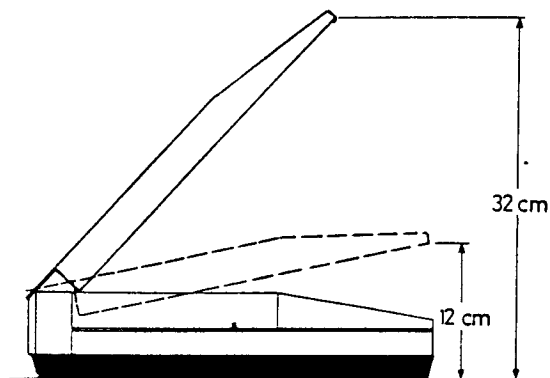


Adjust the screw A and B after approx. 5 minutes operation until 620 mV is measured on pin 4 of P5 and on pin 6 of P5.

Dust Cover Lid Spring

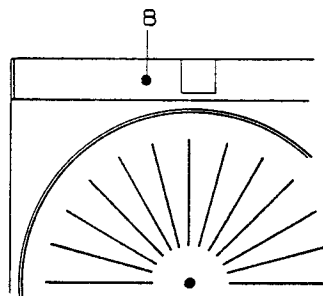
1. Lifting adjustment:

Lift the dust cover lid gently and release it when the lower front edge of the lid has been raised approx. 32 cm above the record player base. The lid will then automatically seek its top position.



2. Lowering adjustment:

Lower the dust cover lid gently and release it when the lower front end of the lid is approx. 12 cm from the base. The lid will then automatically seek its closed position.



Adjust the dust cover lid with the screw B.

For Service Manuals Contact
MAURITRON TECHNICAL SERVICES
 8 Cherry Tree Rd, Chinnor
 Oxon OX9 4QY
 Tel:- 01844-351694 Fax:- 01844-352554
 Email:- enquiries@mauritron.co.uk

Lubrication Chart

The need for relubrication is negligible.

In the case of overhauls and when replacing mechanical parts the directions below should be followed.

Point of lubrication	Lubricant	Remarks
Turntable bearing	3984008, M4 oil	Apply to shaft point + streak throughout length of shaft
Spindle pos. No. 0018	3984216, Rocol MTS 1000. Dilute to oily consistency (1:1) with 3984221, ESSO NUTO H44/HP32	Apply to spindle at least in 5 points
Spindle bearing	3984030, Barrierta L55/2	
Lift-lower	Castrol oilit 3984211	Apply to needle on pos. No. 0516
Damping of alu. lid 3984005	Kilopoise 3984005	Apply in one streak at each side

TECHNICAL SPECIFICATIONS

Wow and flutter DIN	<±0.04%
Wow and flutter WRMS	<±0.02%
Rumble DIN weighted	>75 dB
Rumble DIN unweighted	>50 dB
Speeds	33-45 rpm
Speed deviation	<0.003%
Speed control range	±3%
Tangential tracking	<0.04'
Power consumption	15W
Dimensions W x H x D	49 x 9 x 37.5 cm
Weight	9 kg

Power Supply and Frequency

Type 5631	100V 50 Hz
Type 5632	100V 50 Hz
Type 5633	120V 60 Hz
Type 5634	127V 50 Hz
Type 5635	220V 50 Hz
Type 5636	240V 50 Hz
type 5637 (AUS)	240V 50 Hz

MMC2 Cartridge

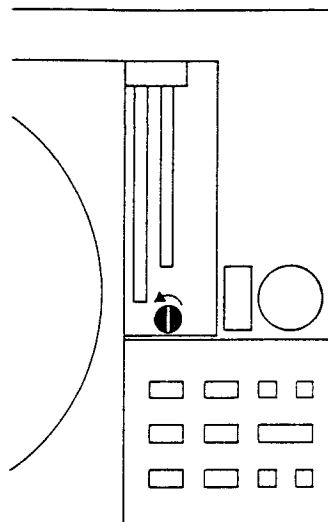
Recommended tracking force	10 mN/1 g
Frequency range	20-20,000 Hz ± 1.5 dB
Channel separation 1000 Hz	>25 dB
Channel separation 50-15,000 Hz	>20 dB
Channel difference	<1.5 dB
Stylus	Contact line naked diamond
Cantilever	Sapphire tube
Effective tip mass	0.3 mg
Compliance	30 µm/mN
Sensitivity mV/cm/s RMS	>0.6 mV
Output 5 cm lateral RMS	>2.12 mV
Cartridge weight	1.6 g
Load impedance	≧47 kΩ
Load capacity	≧400 pF

Subject to change without notice

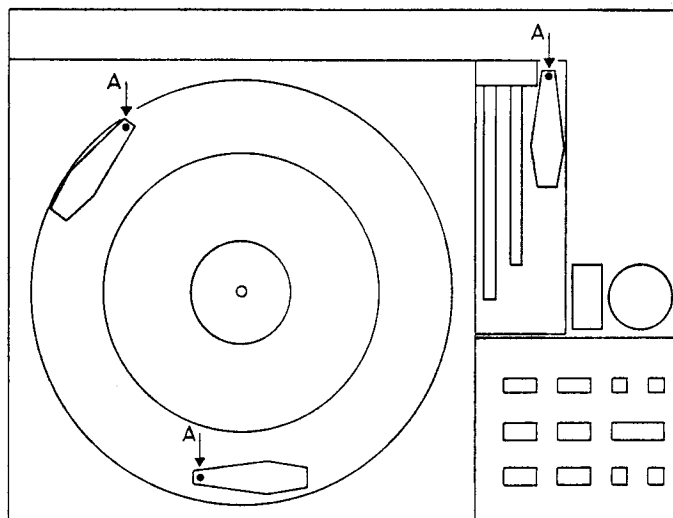
For Service Manuals Contact
MAURITRON TECHNICAL SERVICES
 8 Cherry Tree Rd, Chinnor
 Oxon OX9 4QY
 Tel: 01844-351694 Fax: 01844-352554
 Email: enquiries@mauritron.co.uk

DISMANTLING Servicing Position

Loosen the black cover plate below the pick-up arm assembly by turning the black screw 1/4 turn in the direction of the arrow.



Remove the turntable.

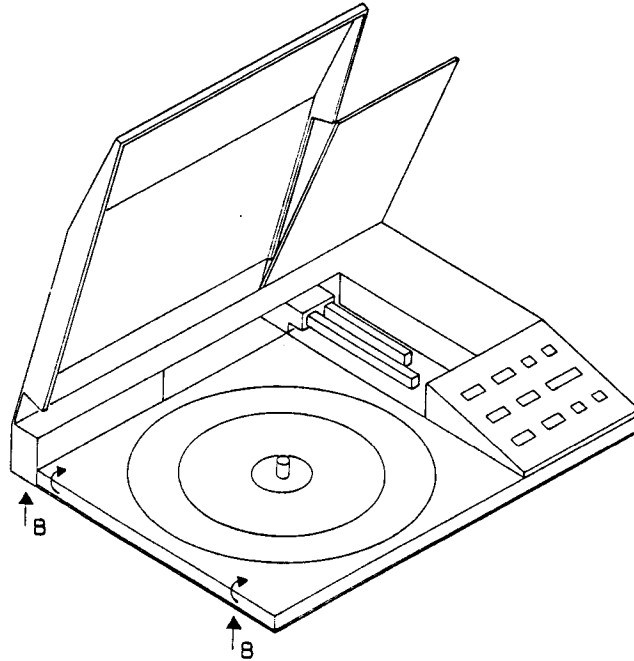


Lift the hooks for the suspension of the train drive/chassis off the suspension springs in the points A.

For Service Manuals Contact
MAURITRON TECHNICAL SERVICES
8 Cherry Tree Rd, Chinnor
Oxon OX9 4QY
Tel: 01844-351694 Fax: 01844-352554
Email: enquiries@mauritron.co.uk

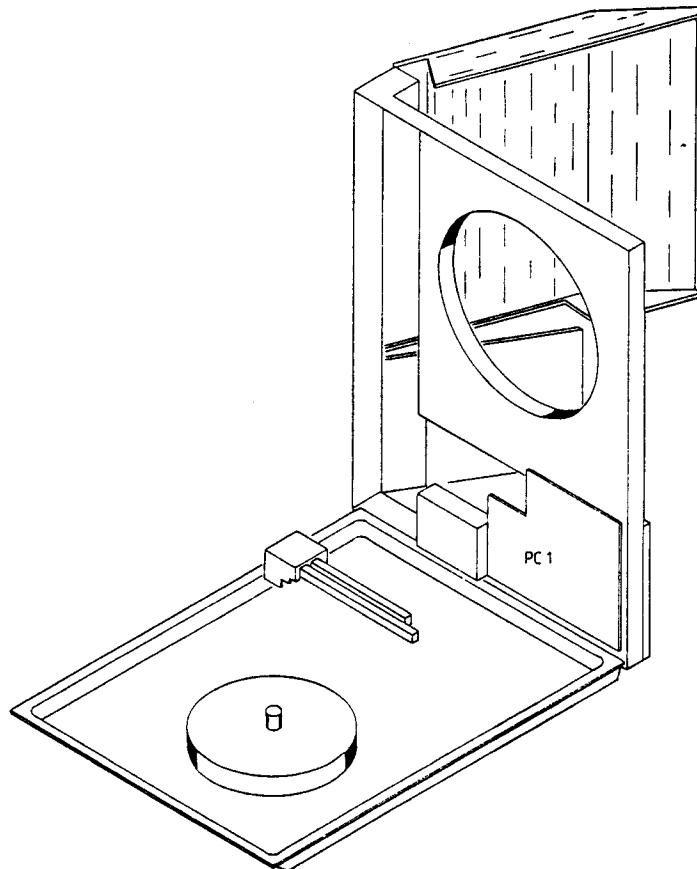
Remove the screws B.

For Service Manuals Contact
MAURITRON TECHNICAL SERVICES
8 Cherry Tree Rd, Chinnor
Oxon OX9 4QY
Tel: 01844-351694 Fax: 01844-352554
Email: enquiries@maurtron.co.uk



Push, with due care, the train drive chassis to the right.

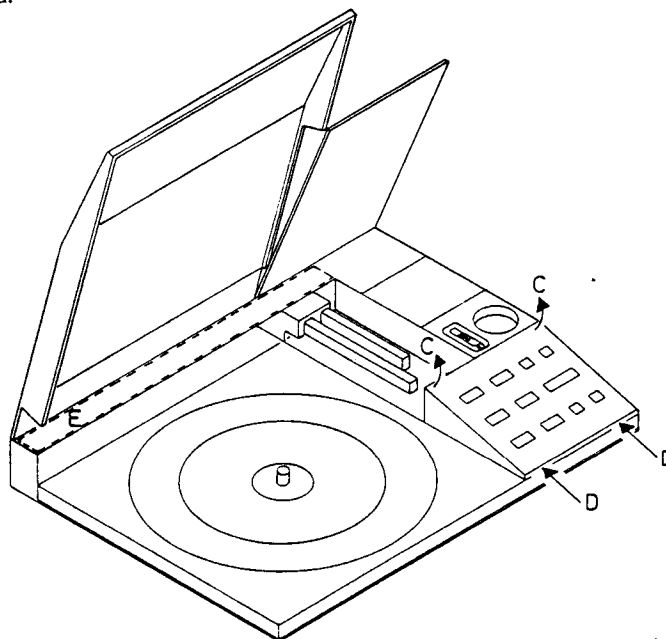
By lifting carefully at the left side of the top part it can now be tilted into the servicing position.



When assembling, make sure the back part (pos. 003) catches the rear edge of the bottom plate completely.

Control Panel

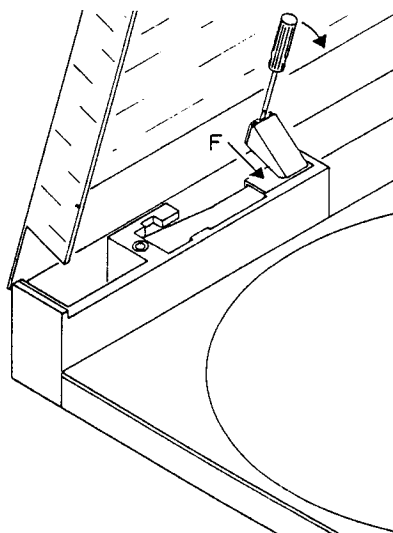
By lifting the rear edge of the control panel/cover (C) the retainer pins may be released.



After the retainer pins at the top edge of the control panel/cover have been loosened, pull the control panel cover in the direction of the arrows C, and then push in the direction of the arrows D.

Dust Cover Spring

Remove cover E.

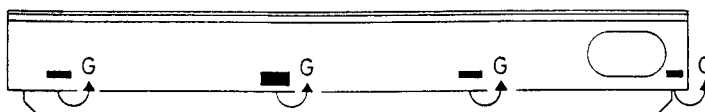


Press the dust cover spring down at the point F while the dust cover remains in its open position.

Insert a screwdriver between the dust cover and the cover hinge.

Lever the screwdriver with care in the direction of the arrow until the cover hinge is released.

Dust Cover

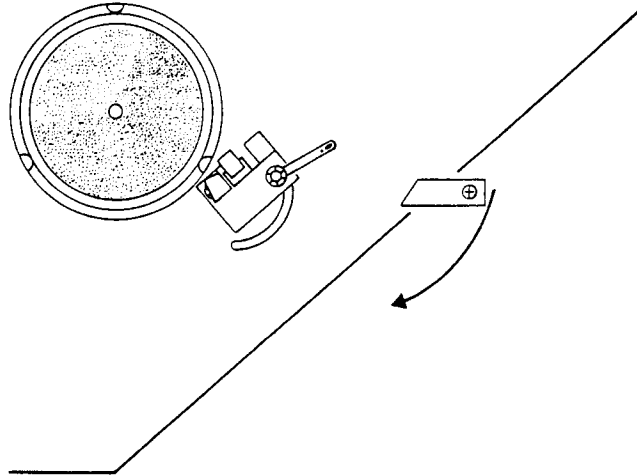


Pull carefully at the rear part in the direction of the arrows G until the rear part and the cover are released.

SERVICETIPS

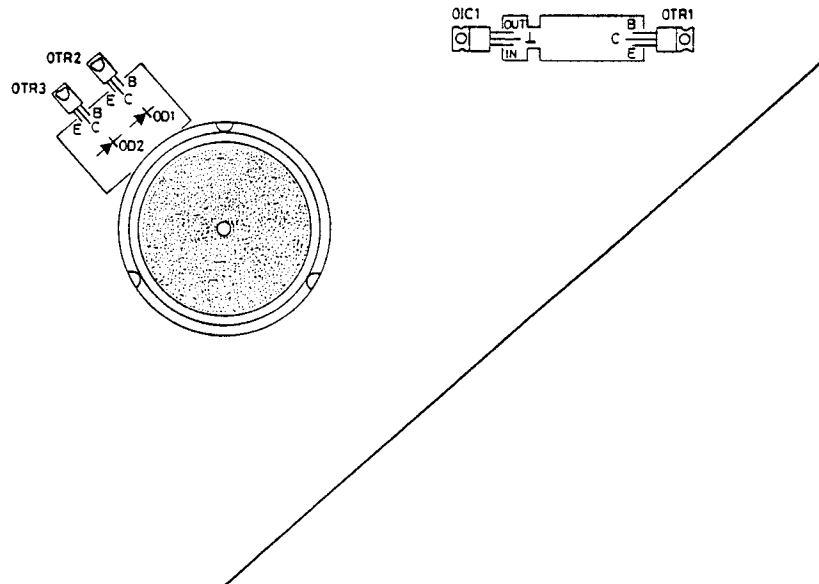
Turntable Hub

In order to avoid damage when demounting the turntable hub with the tacho disc, make sure that the opto yoke has been pulled all the way in the direction of the arrow.



Prior to re-mounting the turntable with the tacho disc, make sure that the tacho disc has been cleaned for any dust and dirt, which in certain cases can result in wow.

Layout of Active Components of the Train Drive Chassis



For Service Manuals Contact
MAURITRON TECHNICAL SERVICES
8 Cherry Tree Rd, Chinnor
Oxon OX9 4QY
Tel: 01844-351694 Fax: 01844-352554
Email: enquiries@mauritron.co.uk

Symbols

	Bang & Olufsen	US
Resistor		
Electrolytic Capacitor		
Fuse		
Lamp		
Light Emitting Diode (LED)		
Photo Diode (Photosensitive type)		
Silicon Controlled Rectifier (SCR)		
Varactor		
Zener Diode		
Darlington Transistor (PNP)		
Wires Crossing		
Wire Connecting		
Ground, 0-point DC		

For Service Manuals Contact
MAURITRON TECHNICAL SERVICES
 8 Cherry Tree Rd, Chinnor
 Oxon OX9 4QY
 Tel: 01844-351694 Fax: 01844-352554
 Email: enquiries@mauritron.co.uk

Insulation Test

Each record player **must** be insulation tested after having been dismantled. The test is to be made when the record player has been reassembled completely and is ready for delivery to the customer.

Make the insulation test as follows:

Short-circuited the two pins of the mains plug and connect one of the terminals to the insulation tester.

The other terminal from the insulation tester is connected to the chassis plate near the 7 pol. DIN-socket.

NOTE!

To avoid ruining the record player it is essential that both insulation test terminals are in really good mechanical contact.

Now slowly turn the voltage control of the insulation tester until a voltage of 1.5-2 kV is obtained. Hold it there for 1 second, then slowly turn the voltage down again.

At no point during the testing procedure any flash-overs are permissible.