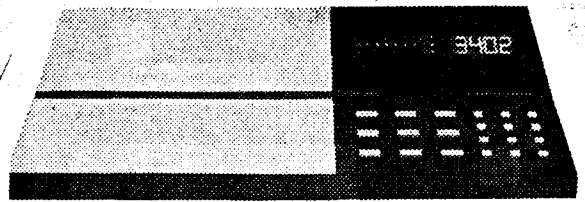


Bang & Olufsen

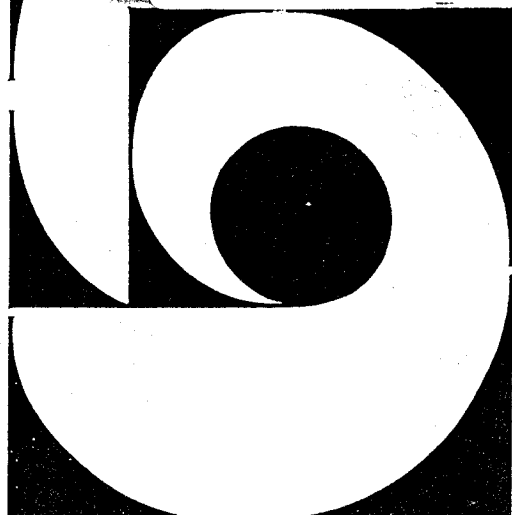


BEOCORD 9000

Type 4811-4812-4813-
4814-4815-4816-4817

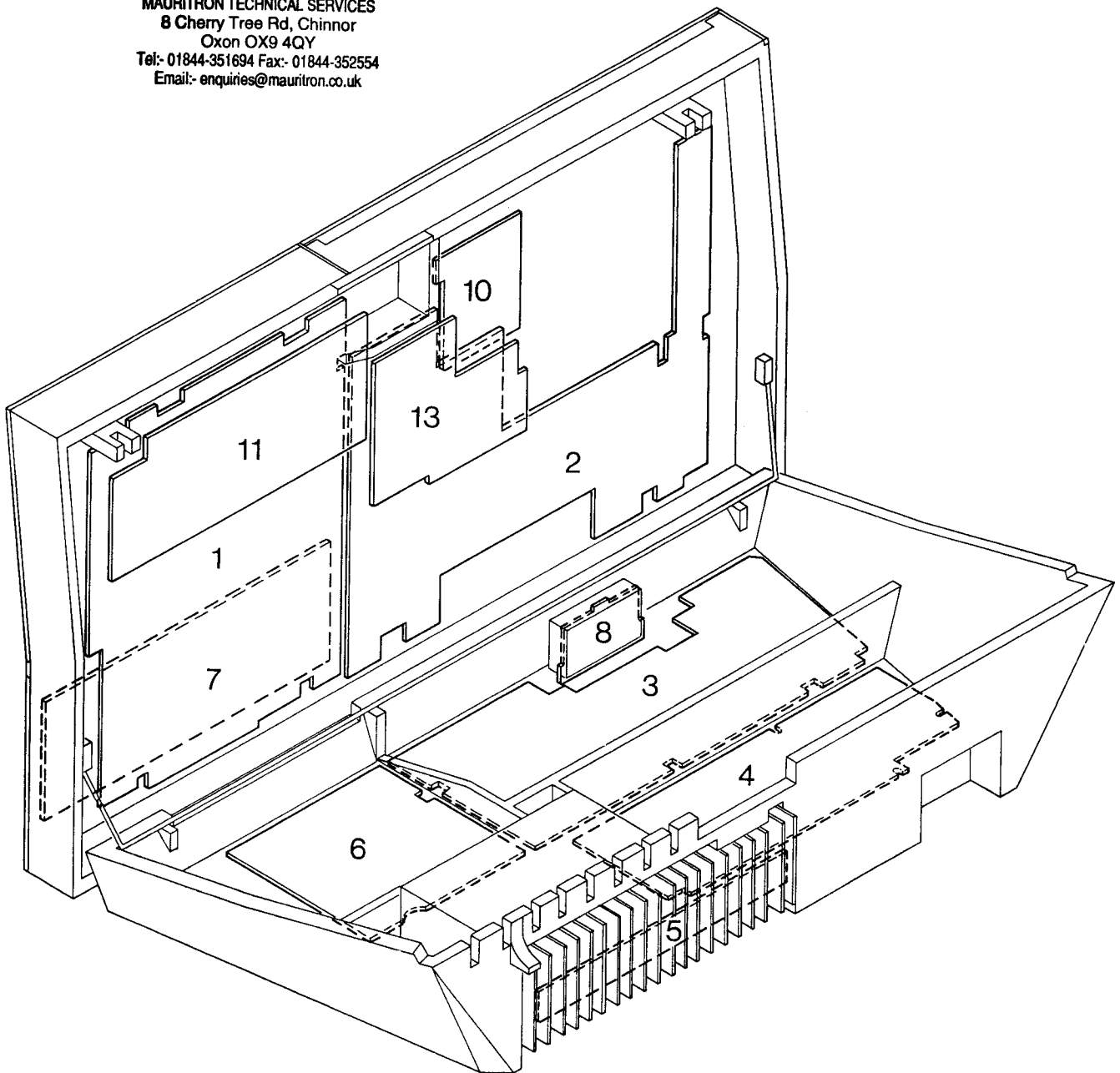
2464

For Service Manuals
MAURITRON SERVICES
8 Cherry Tree Road, Chinnor
Oxfordshire, OX9 4QY.
Tel (01844) 351694
Fax (01844) 352554
email: mauritron@dial.pipex.com



1 Microcomputer and display	diagr. 4	7 Operating Unit	diagr. 7
2 Dolby	diagr. 3	8 Mic. Amplifier.....	diagr. 2
3 Rec. Play back.....	diagr. 2	10 Clock-set	diagr. 4
4 Power Supply.....	diagr. 2	11 Digital/Analog Converter.....	diagr. 1
5 Power Unit.....	diagr. 5	13 Osc. Detector.....	diagr. 1
6 Rectifier.....	diagr. 6		

For Service Manuals Contact
MAURITRON TECHNICAL SERVICES
 8 Cherry Tree Rd, Chinnor
 Oxon OX9 4QY
 Tel:- 01844-351694 Fax:- 01844-352554
 Email:- enquiries@mauritron.co.uk



RETTELSE	A
CORRECTION	A
BERICHTIGUNG	A

A	D	BEFORE CORRECTION	AFTER CORRECTION	SET NO.
11R1	1	100k	22k	
111C1/2	1	8340195	8340294	2536001
13R20	1		100k Added	2528001
13C1/2/3	1	4130179	4130261	2548001
13C23/24	1	4130179	4130261	2548001
13R17	1	47k	68k	
13R28	1	56k	82k	
13R42	1	27k	26.1k	
13R43	1	3.9k	4.02k	
13R47	1	22k	23.2k	
13C7	1	4130218	4130278	2699001
13R8	1	220k	470k	2838001
13R18/29	1	50k	100k	2838001
13R52	1	82k	93.1k	2838001
13R68	1		10k Added	2777001
3IC2	2	TDA 1074	TDA 1074A	
3R8/9	2		Removed	
3C2	2		Removed	
3C11	2		100nF Added	
4RL1	2		Added	2549001
4TR4	2		8320329 Added	2549001
4D4	2		8300058 Added	2549001
4R10	2		10k Added	2549001
Kit	2		8004332 Added	2549001
3C121/221	2	4200318	4200547	
3R15/16	2		2.2 ohms Added	
3TR1	2	8320097	8320366	
3TR101/201	2	8320097	8320366	
3C101/201	2		±Changed	
1TR6	4	8320097	8320366	
4R39	5	1.8 ohms	Removed	2643001
4R40	5	47k	Removed	2643001
4R41	5	15k	Removed	2643001
4C22	5	1µF	Removed	2643001
4TR37	5		Removed	2643001
4F1	5		6600000 Added	2643001
5C3	5	330nF	220nF	

For Service Manuals Contact
MAURITRON TECHNICAL SERVICES
 8 Cherry Tree Rd, Chinnor
 Oxon OX9 4QY
 Tel:- 01844-351694 Fax:- 01844-352554
 Email:- enquiries@mauritron.co.uk

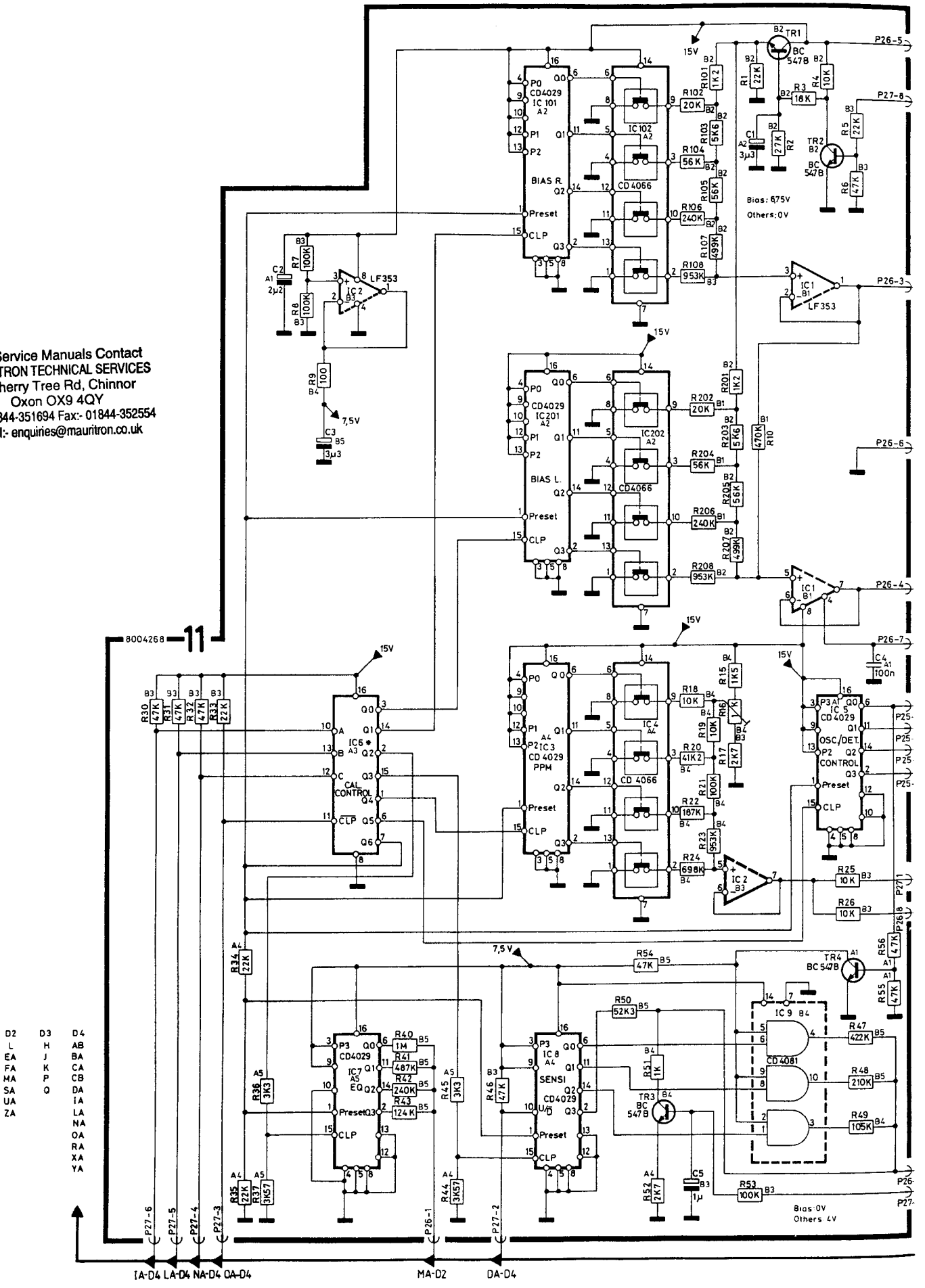
Rettelse på Dolby PCB
 nr. 8004270.
 Correction on Dolby PCB
 no. 8004270.
 Berichtigung auf Dolby PCB
 Nr. 8004270.

2R116/216	3	22k	17.4k	2549001
2R117/217	3	22k	17.4	2549001
2C7/8	3	100nF	10µF	
2C	3		330pF Added	2604001
2C	3		82pF Added	2604001

Bang & Olufsen

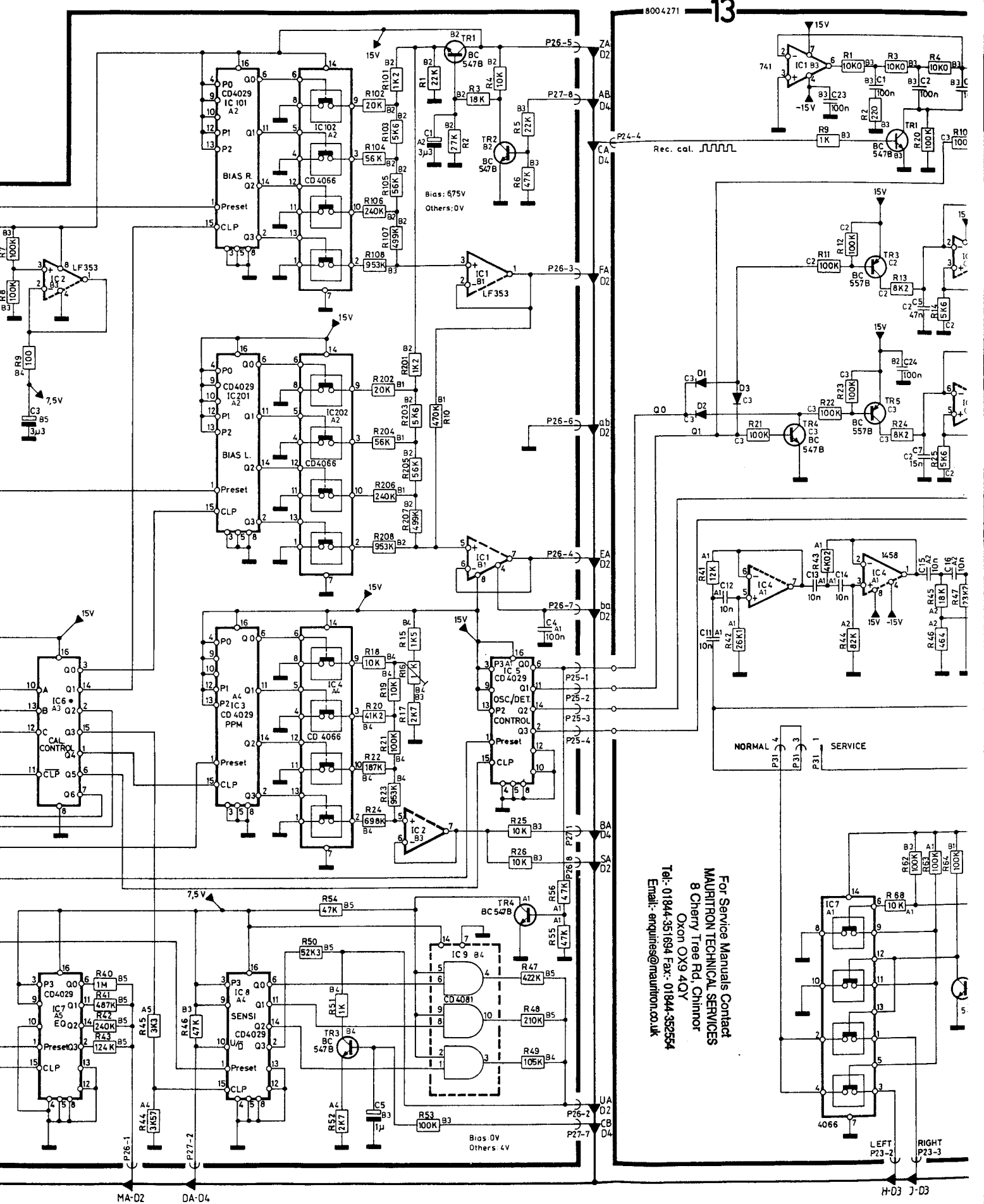
DIAGRAM 1

For Service Manuals Contact
MAURITRON TECHNICAL SERVICES
 8 Cherry Tree Rd, Chinnor
 Oxon OX9 4QY
 Tel:- 01844-351694 Fax:- 01844-352554
 Email:- enquiries@mauritron.co.uk



- D2
 - L
 - EA
 - FA
 - MA
 - SA
 - UA
 - ZA
- D3
 - H
 - J
 - K
 - P
 - O
- D4
 - AB
 - BA
 - CA
 - CB
 - DA
 - IA
 - NA
 - OA
 - RA
 - YA

1A-D4 LA-D4 NA-D4 OA-D4 MA-D2 DA-D4



For Service Manuals Contact
MAURITRON TECHNICAL SERVICES
 8 Cherry Tree Rd, Chinnor
 Oxon OX9 4QY
 Tel: 01844-351694 Fax: 01844-352554
 Email: enquiries@mauritron.co.uk

NORMAL SERVICE

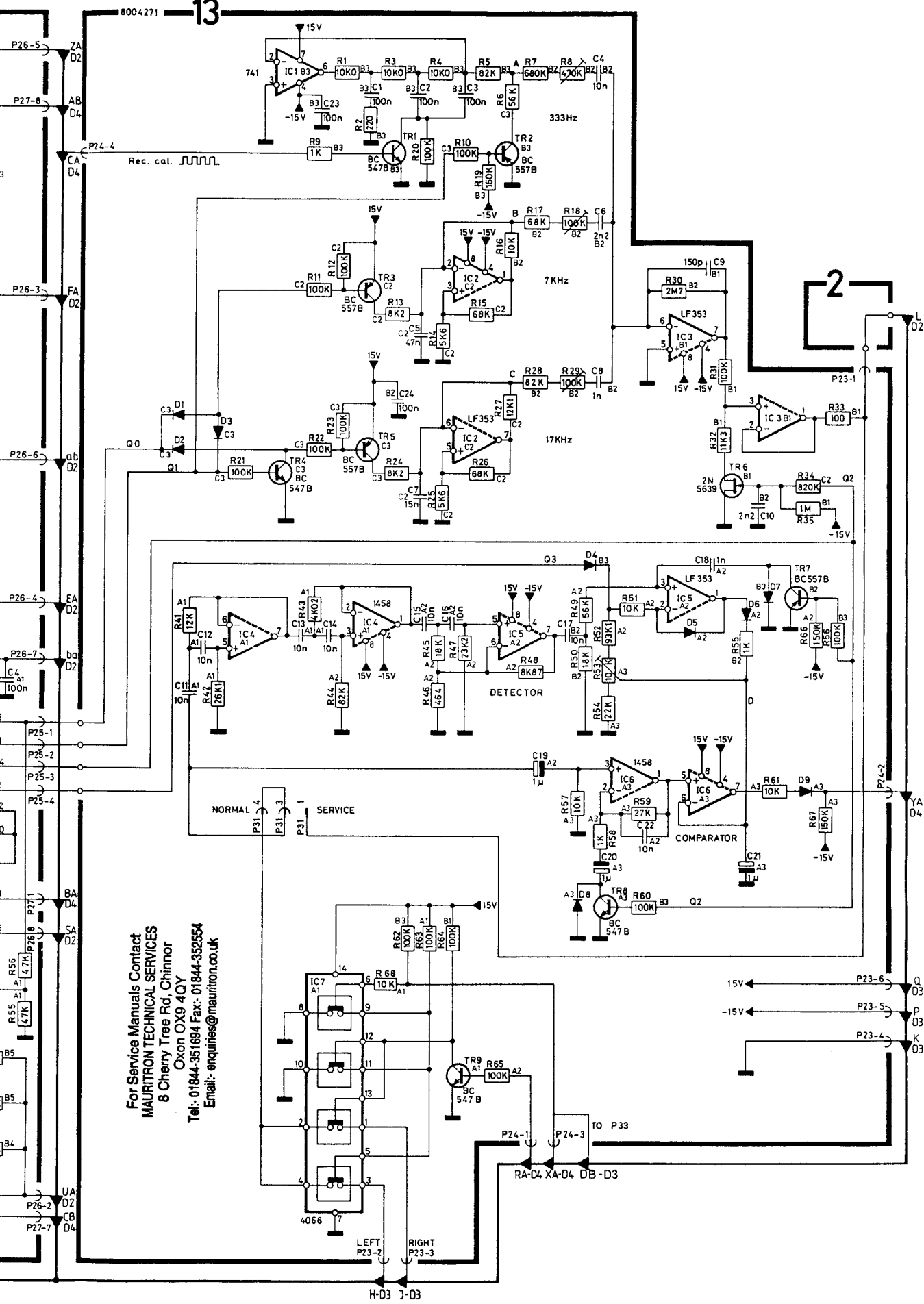
LEFT P23-2 RIGHT P23-3

MA-02

DA-04

H-03 J-03

13



For Service Manuals Contact
MAURITRON TECHNICAL SERVICES
 8 Cherry Tree Rd, Chinnor
 Oxon OX9 4QY
 Tei: 01844-351694 Fax: 01844-352554
 Email: enquiries@mauritron.co.uk

2

NORMAL SERVICE

DETECTOR

COMPARATOR

H-D3 J-D3

RA-D4 XA-D4 DB-D3

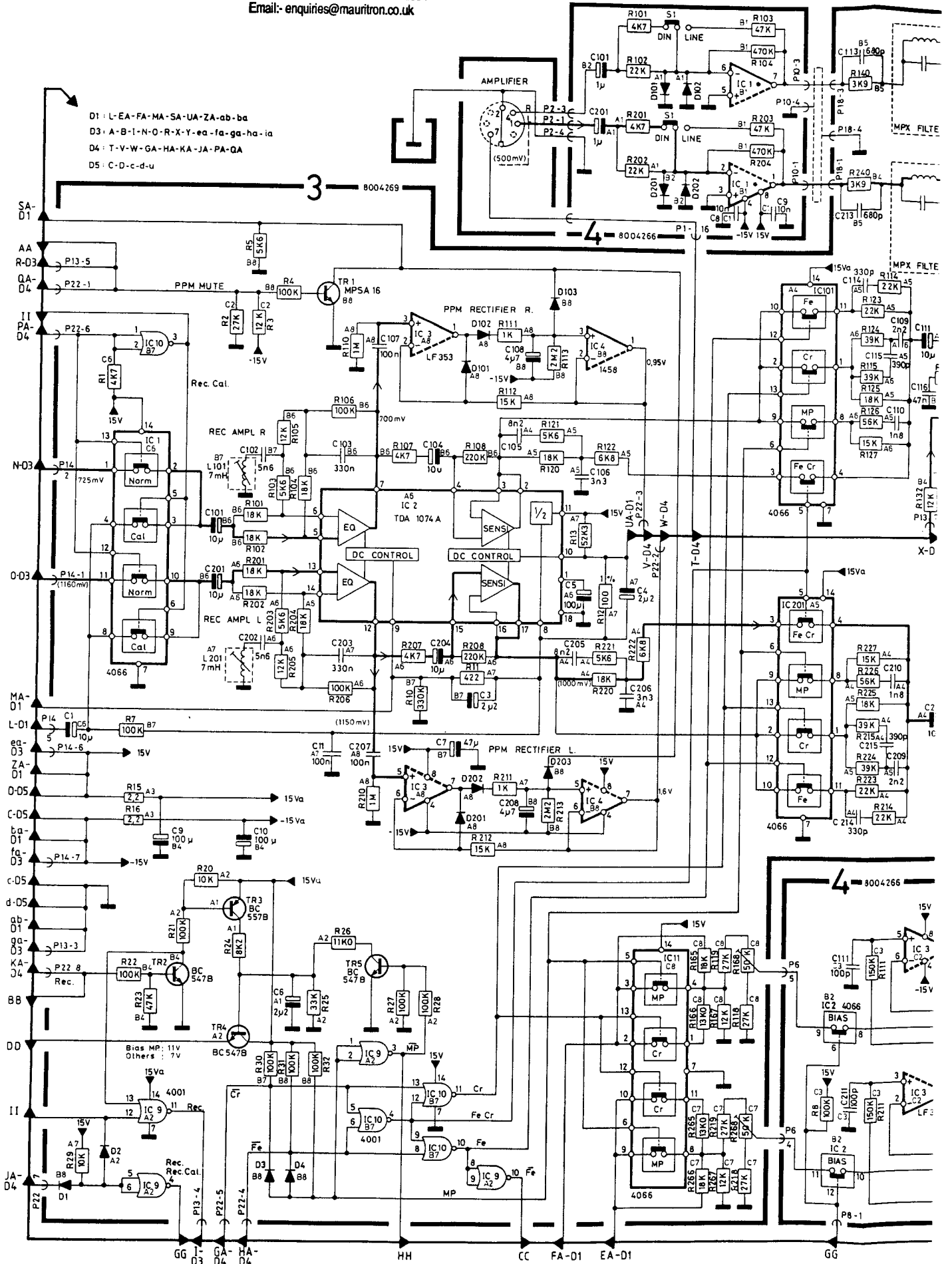
P24-1 P24-3

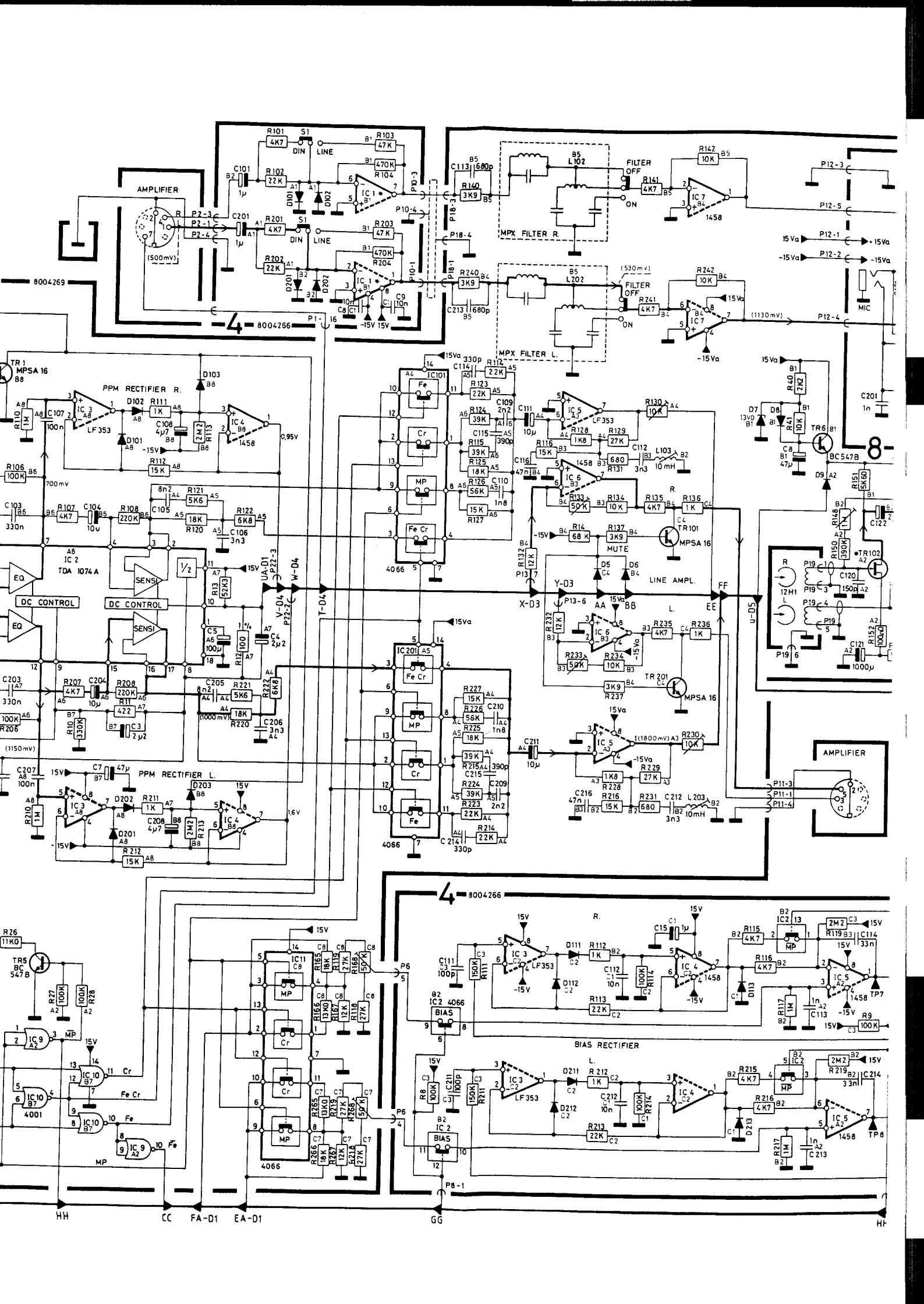
TO P33

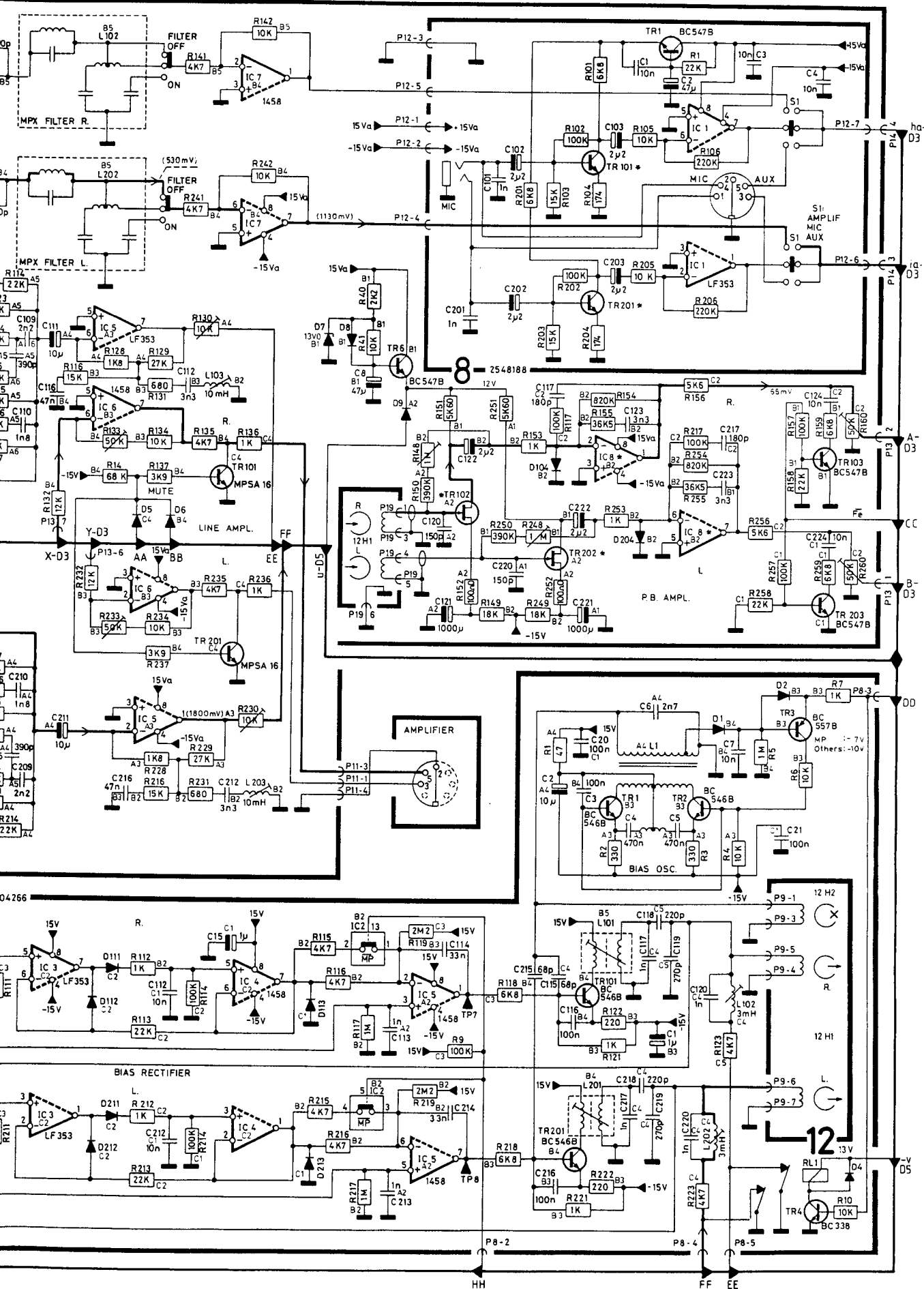
15V ← P23-6 Q
 -15V ← P23-5 P
 ← P23-4 K
 D3
 D3
 D3

8004271

For Service Manuals Contact
MAURITRON TECHNICAL SERVICES
8 Cherry Tree Rd, Chinnor
Oxon OX9 4QY
Tel: 01844-351694 Fax: 01844-352554
Email: enquiries@mauritron.co.uk

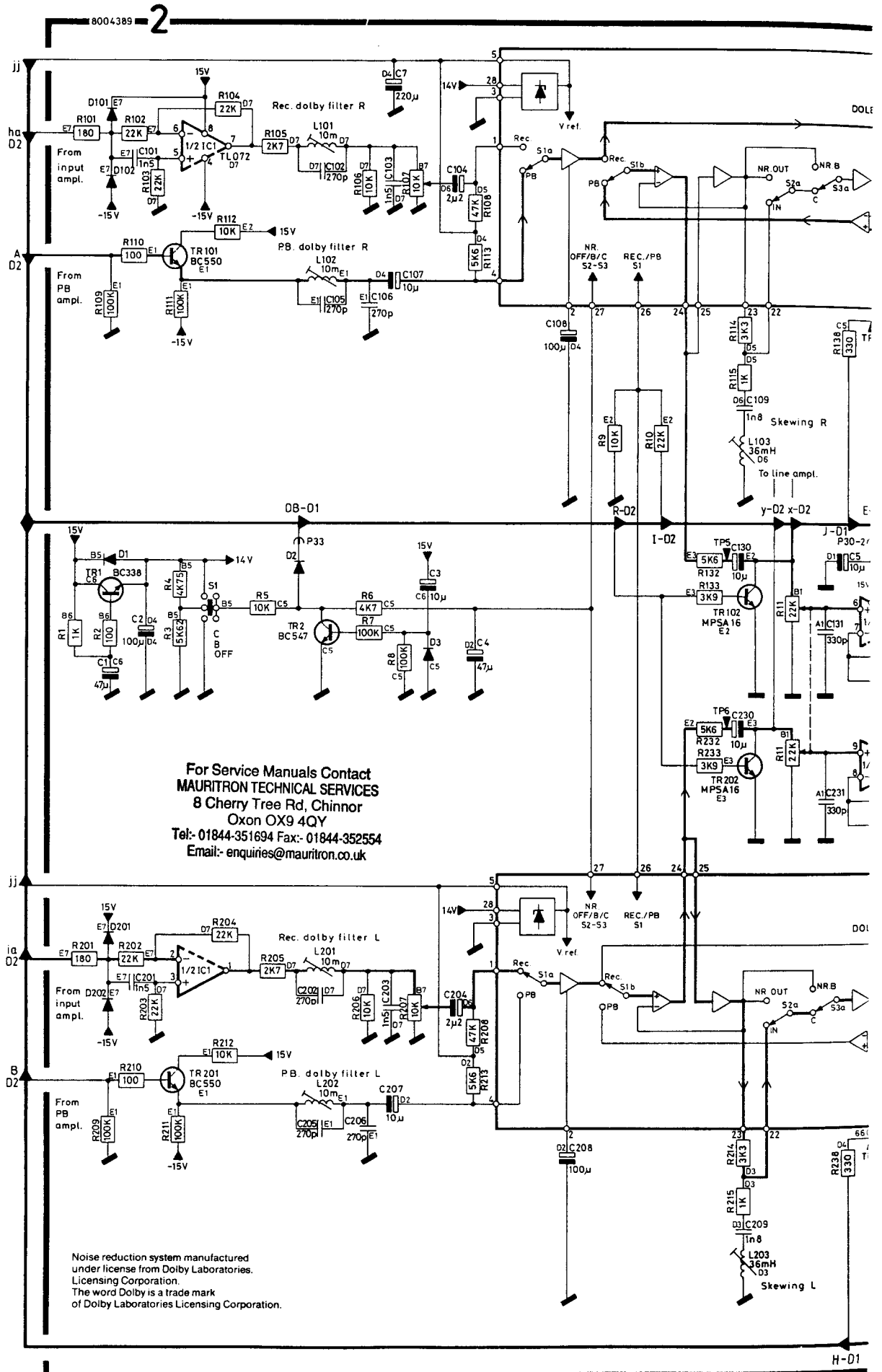






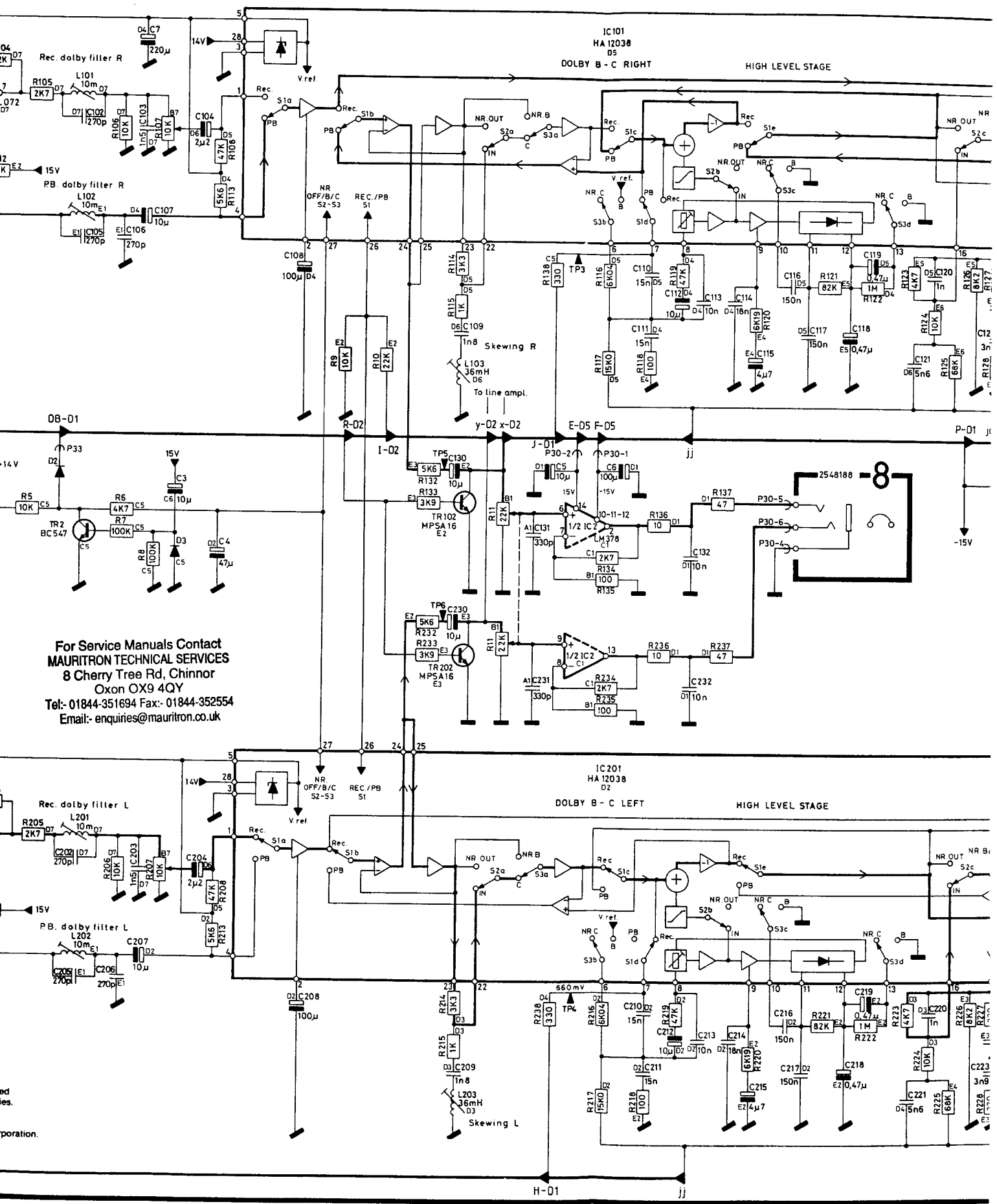
Bang & Olufsen

DIAGRAM 3 Diagram 3 valid as from set no. 2832001



For Service Manuals Contact
MAURITRON TECHNICAL SERVICES
 8 Cherry Tree Rd, Chinnor
 Oxon OX9 4QY
 Tel:- 01844-351694 Fax:- 01844-352554
 Email:- enquiries@mauritron.co.uk

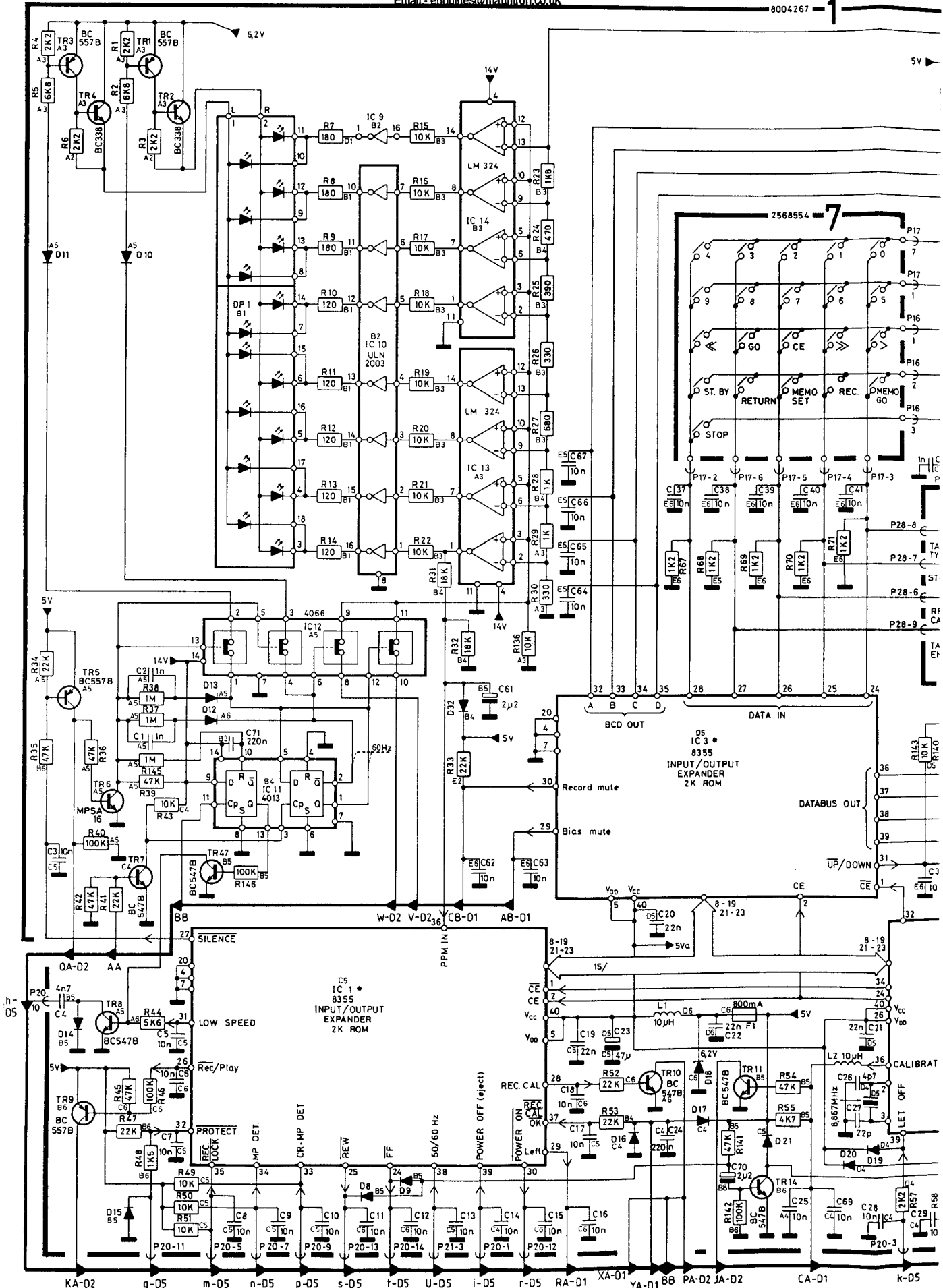
Noise reduction system manufactured
 under license from Dolby Laboratories.
 Licensing Corporation.
 The word Dolby is a trade mark
 of Dolby Laboratories Licensing Corporation.

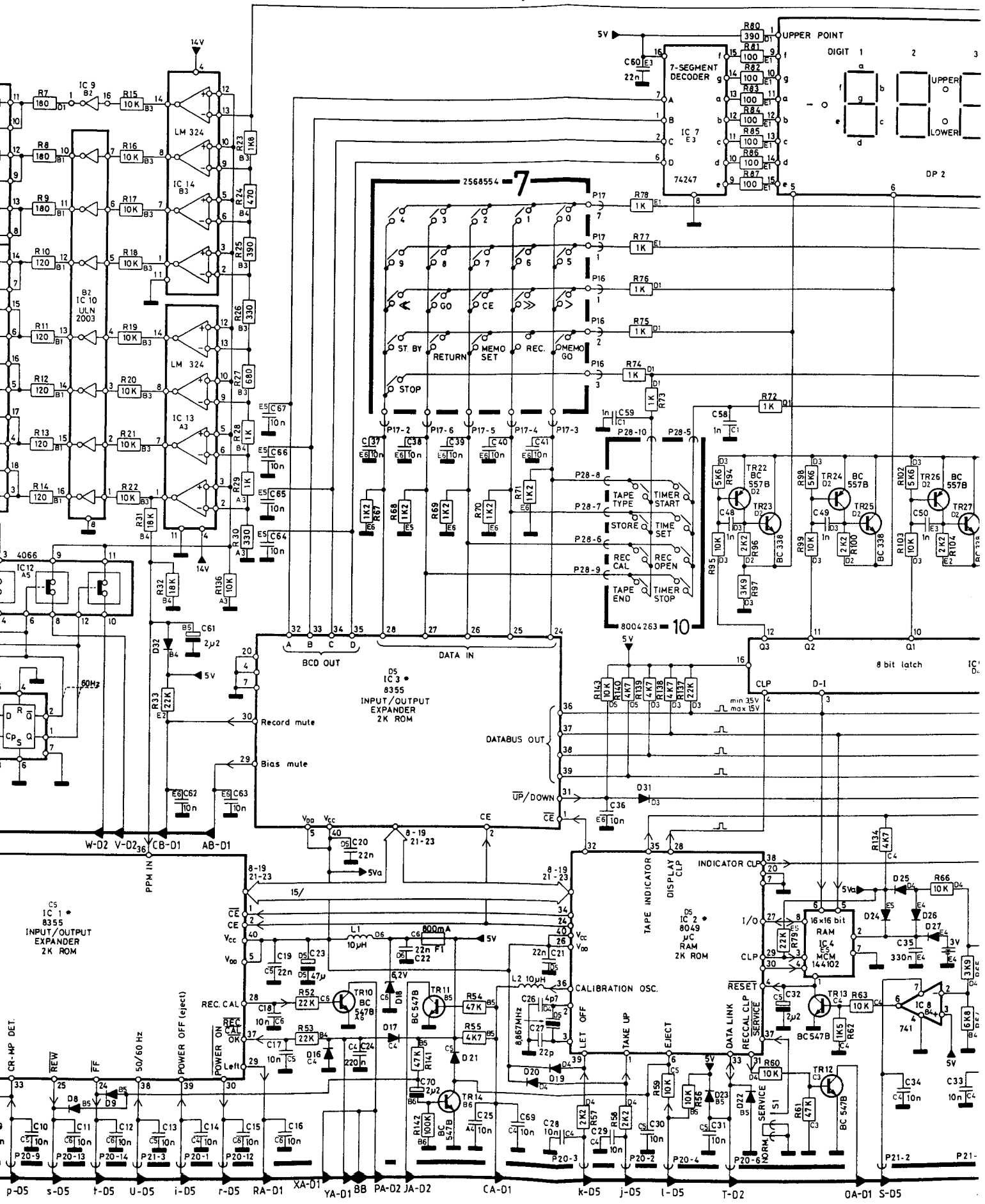


For Service Manuals Contact
MAURITRON TECHNICAL SERVICES
8 Cherry Tree Rd, Chinnor
Oxon OX9 4QY
Tel: 01844-351694 Fax: 01844-352554
Email: enquiries@mauritron.co.uk

DIAGRAM 4

8004267-1





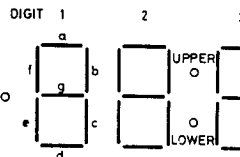
CS
IC 1 *
8355
INPUT/OUTPUT
EXPANDER
2K ROM

CS
IC 2 *
8049
16x16 bit
RAM
IC 4
144102
MCM
RAM
2K ROM

D5
IC 3 *
8355
INPUT/OUTPUT
EXPANDER
2K ROM

D5
IC 2 *
8049
16x16 bit
RAM
IC 4
144102
MCM
RAM
2K ROM

7-SEGMENT
DECODER
IC 7
E3
74247

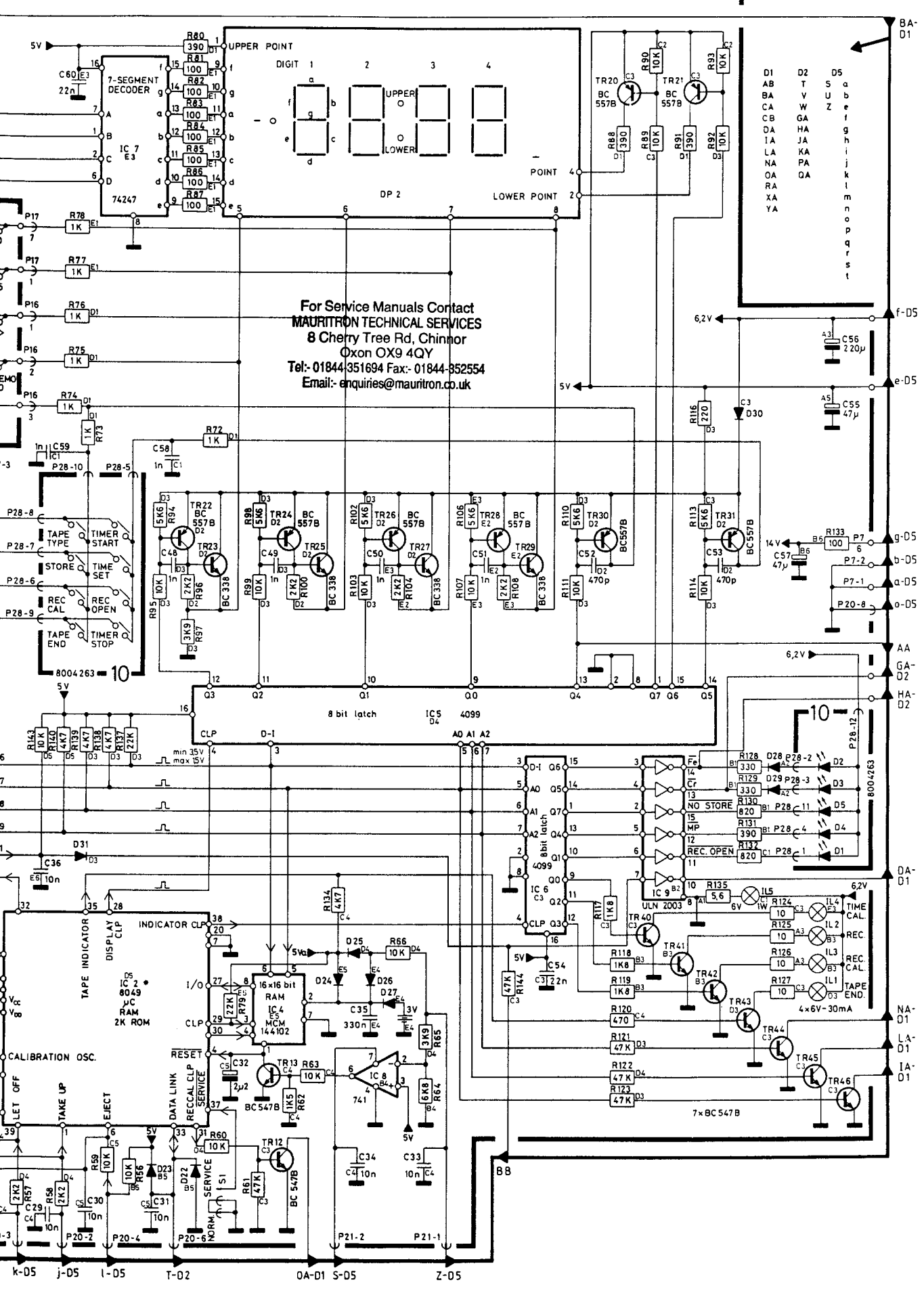


8 bit latch
IC 6

D5
IC 2 *
8049
16x16 bit
RAM
IC 4
144102
MCM
RAM
2K ROM

IC 8
74138

IC 8
74138



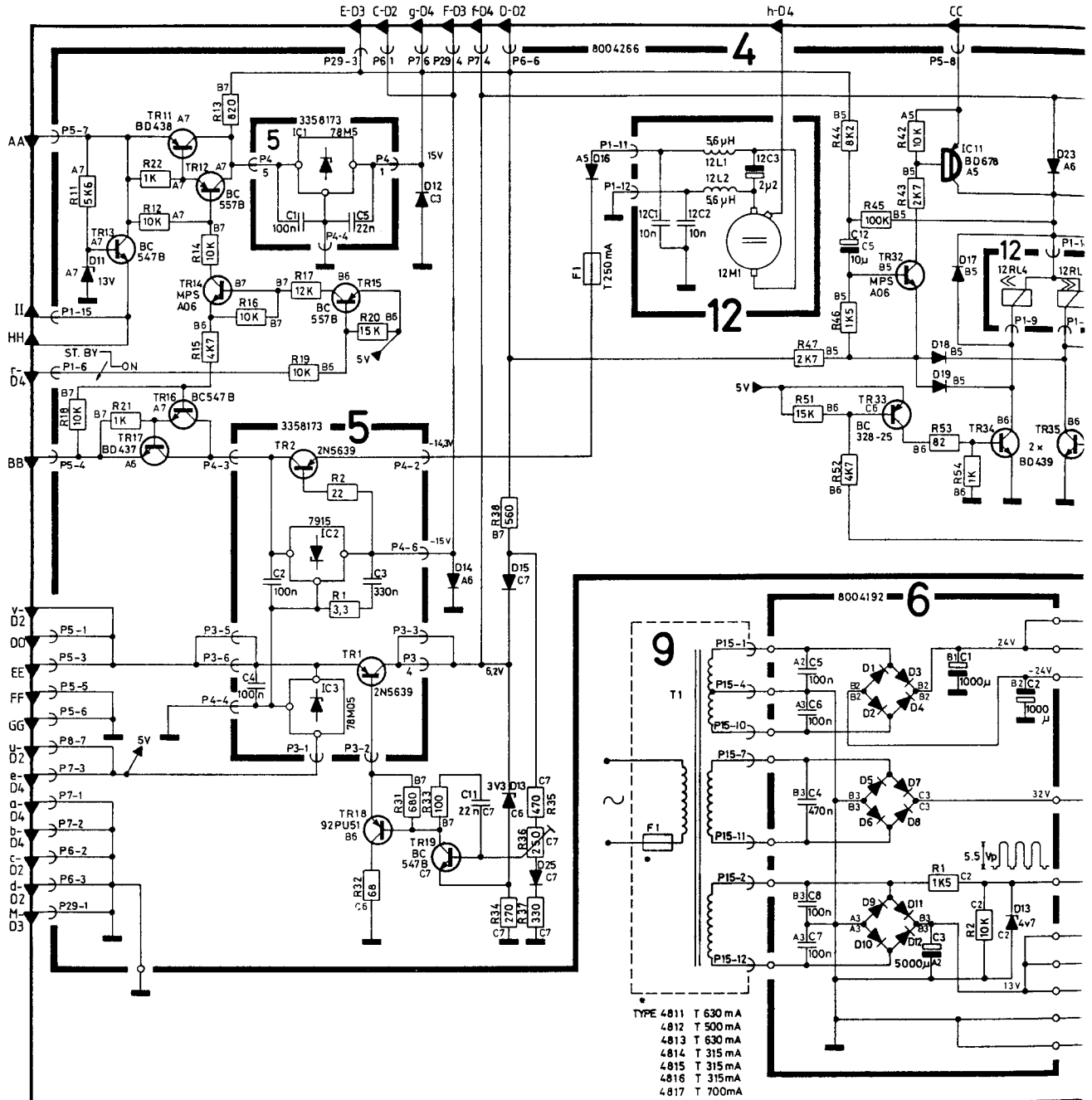
For Service Manuals Contact
MAURITRON TECHNICAL SERVICES
 8 Cherry Tree Rd, Chinnor
 Oxon OX9 4QY
 Tel: 01844 351694 Fax: 01844-352554
 Email: enquiries@mauritron.co.uk

D1	D2	D5	a
AB	T	S	b
BA	Y	U	c
CA	W	Z	d
CB	HA		e
DA	GA		f
EA	KA		g
FA	JA		h
GA	PA		i
HA	QA		j
IA			k
JA			l
KA			m
LA			n
MA			o
NA			p
OA			q
PA			r
QA			s
RA			t
SA			
TA			

7x BC 547B

Bang & Olufsen

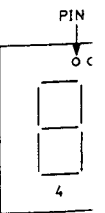
DIAGRAM 5

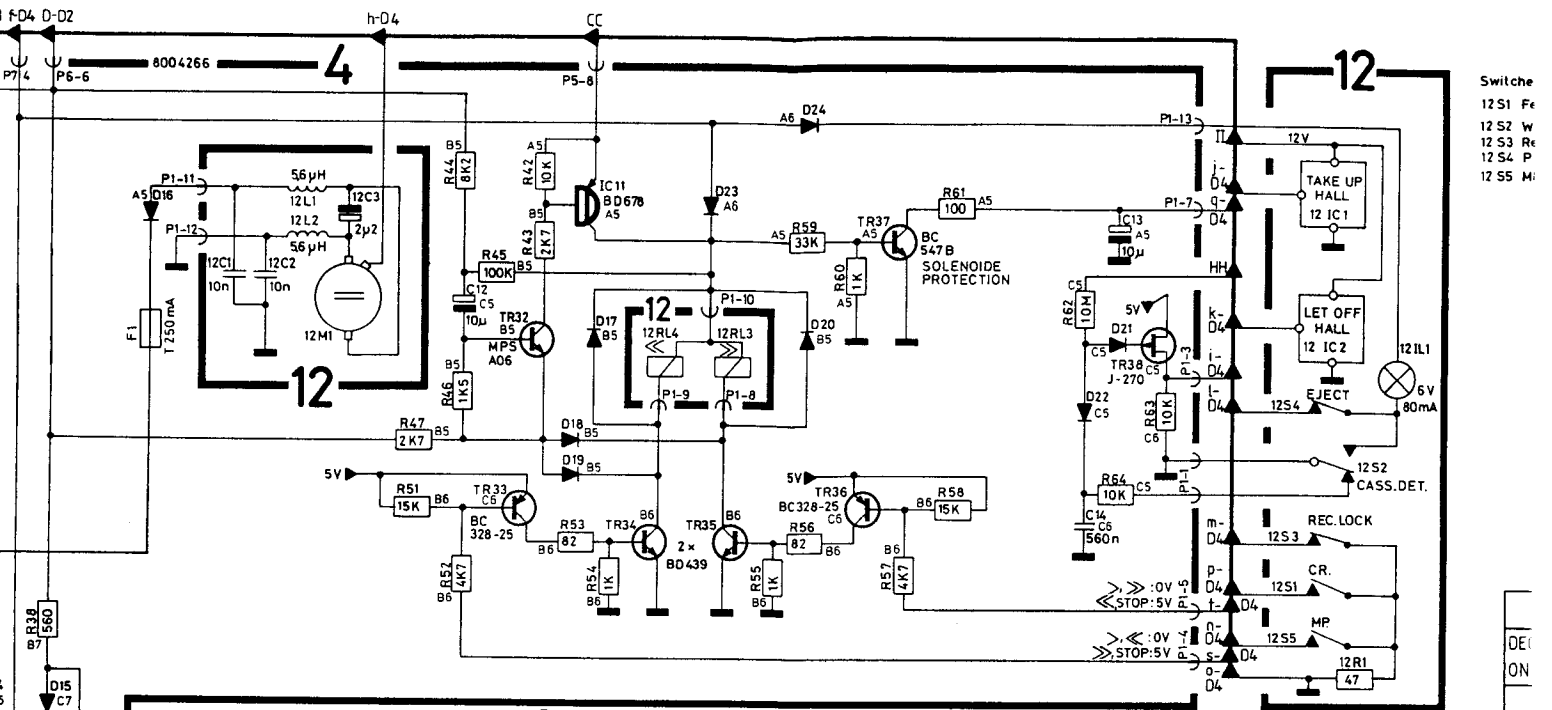


For Service Manuals Contact
MAURITRON TECHNICAL SERVICES
 8 Cherry Tree Rd, Chinnor
 Oxon OX9 4QY
 Tel:- 01844-351694 Fax:- 01844-352554
 Email:- enquiries@mauritron.co.uk

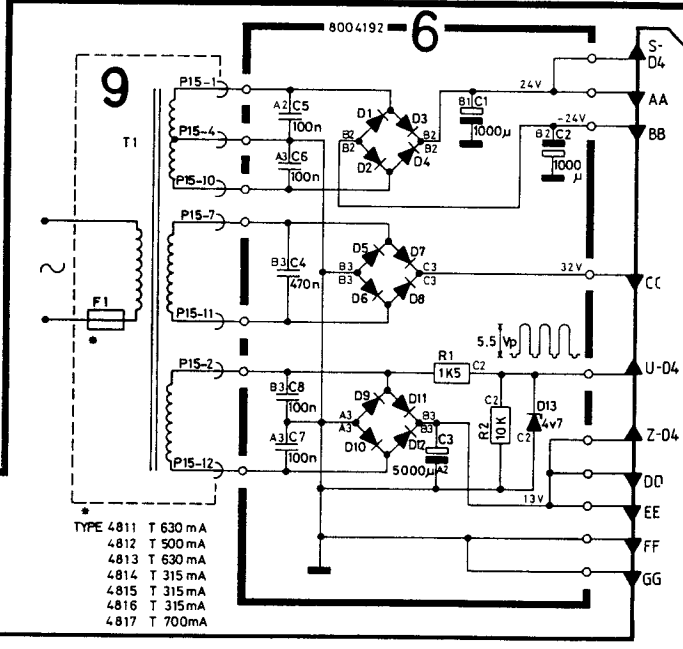
Type 4812
 Explanation of the fuse symbols used in the set:
 Explication de symboles du fusible utilisés dans l'appareil:

- Replace with same type 0.5 ampere 250volts slow acting fuse
Remplacer par un fusible de meme type retardé et de 0.5 ampere 250 volts.
- Replace with same type 250 milliamperes 250volts slow acting fuse.
Remplacer par un fusible de meme type retardé et de 250 milliamperes 250 volts.
- Replace with same type 800milliamperes 250volts quick acting fuse.
Remplacer par un fusible de meme type rapide et de 800 milliamperes 250 volts.





Switches
 12 S1 Fe
 12 S2 W
 12 S3 Re
 12 S4 P
 12 S5 M

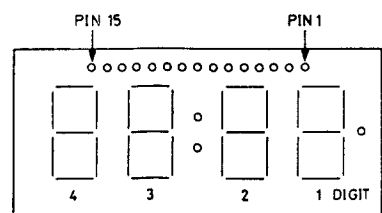


- TYPE 4811 T 630 mA
- 4812 T 500 mA
- 4813 T 630 mA
- 4814 T 315 mA
- 4815 T 315 mA
- 4816 T 315 mA
- 4817 T 700 mA

- PIN ASSIGNMENT (BOTTOM VIEW)
 COMMON CATHODE (POINTS)
- 1 LOWER POINT ANODE
 - 2 UPPER POINT ANODE
 - 3 -POINT ANODE
 - 4 DIGIT 1 ANODE
 - 5 DIGIT 2 ANODE
 - 7 DIGIT 3 ANODE
 - 8 DIGIT 4 ANODE
 - 9 SEG. fCATHODE
 - 10 SEG. gCATHODE
 - 11 SEG. aCATHODE
 - 12 SEG. bCATHODE
 - 13 SEG. cCATHODE
 - 14 SEG. dCATHODE
 - 15 SEG. eCATHODE

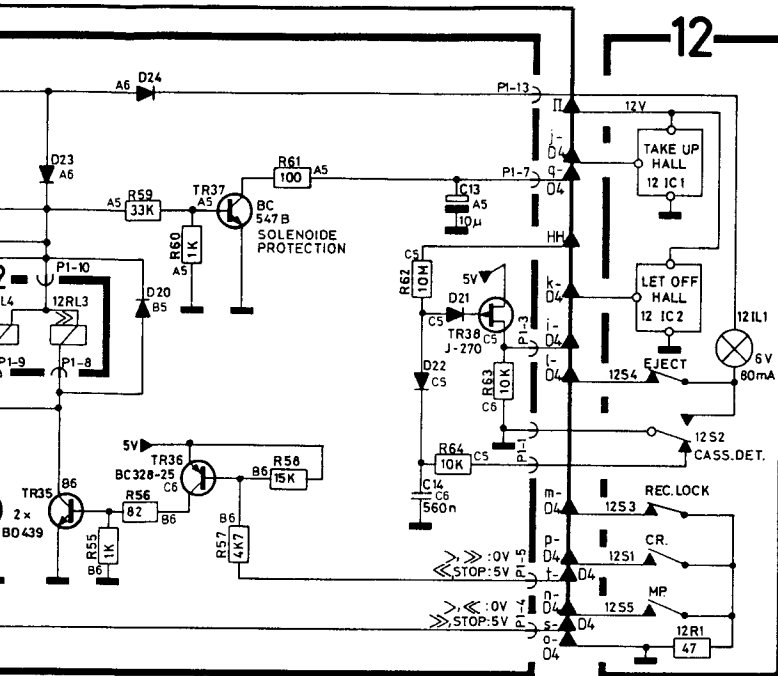
of the fuse symbols used in the set:
 de symboles du fusible utilisés dans l'appareil:

- Replace with same type 0.5 ampere 250 volts slow acting fuse.
Remplacer par un fusible de même type retardé et de 0.5 ampere 250 volts.
- Replace with same type 250 milliampères 250 volts slow acting fuse.
Remplacer par un fusible de même type retardé et de 250 milliampères 250 volts.
- Replace with same type 800 milliampères 250 volts quick acting fuse.
Remplacer par un fusible de même type rapide et de 800 milliampères 250 volts.



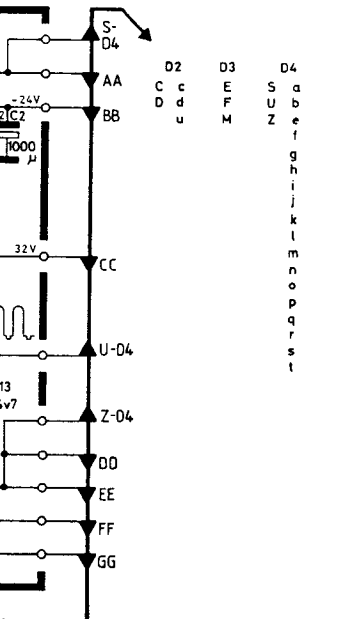
FUNCTION TABLE FOR P					
Pins	Conditions		Function		
	11C1	11C2			
				STAND BY	
	1	1		STOP	
	1	0	1	> (Pegel Tape)	
	1	0	1	>> (Normal Speed)	
	1	0	1	<< (Normal Speed)	
	1	0	1	>> (Low Speed)	
	1	0	1	<< (Low Speed)	
	1	1	0	1	REC OPEN
	1	1	0	1	REC PAUSE (With Signal)
	1	1	0	1	REC (With Signal)
	1	1	0	1	REC CAL

* 1 = 1.2V



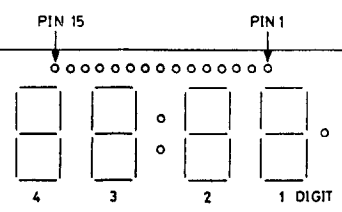
Switches:
 12 S1 Fe₂O₃ ON, Cr O₂ OFF
 12 S2 With cass. ON, without OFF.
 12 S3 Rec. ON, Rec. Lock. OFF.
 12 S4 Play ON, Press eject OFF
 12 S5 MP OFF (with detector hole in cassette).

For Service Manuals Contact
MAURITRON TECHNICAL SERVICES
 8 Cherry Tree Rd, Chinnor
 Oxon OX9 4QY
 Tel:- 01844-351694 Fax:- 01844-352554
 Email:- enquiries@mauritron.co.uk



- PIN ASSIGNMENT (BOTTOM VIEW)**
 COMMON CATHODE (POINTS)
 1 LOWER POINT ANODE
 2 UPPER POINT ANODE
 3 -POINT ANODE
 4 DIGIT 1 ANODE
 5 DIGIT 2 ANODE
 7 DIGIT 3 ANODE
 8 DIGIT 4 ANODE
 9 SEG. iCATHODE
 10 SEG. gCATHODE
 11 SEG. aCATHODE
 12 SEG. bCATHODE
 13 SEG. cCATHODE
 14 SEG. dCATHODE
 15 SEG. eCATHODE

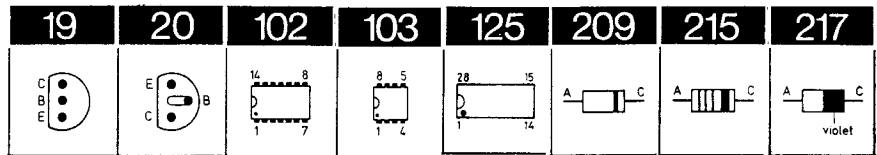
DECIMAL ON DISPLAY	INPUTS				OUTPUTS						
	D	C	B	A	a	b	c	d	e	f	g
0	0	0	0	0	0	0	0	0	0	0	1
1	0	0	0	1	1	0	0	1	1	1	1
2	0	0	1	0	0	0	1	0	0	1	0
3	0	0	1	1	0	0	0	0	1	1	0
4	0	1	0	0	1	0	0	1	1	0	0
5	0	1	0	1	0	1	0	0	1	0	0
6	0	1	1	0	0	1	0	0	0	0	0
7	0	1	1	1	0	0	0	1	1	1	1
8	1	0	0	0	0	0	0	0	0	0	0
9	1	0	0	1	0	0	0	0	1	0	0
J	1	0	1	1	1	1	0	0	1	1	0
C	1	0	1	0	1	1	1	0	0	1	0
U	1	1	0	0	1	0	1	1	1	0	0
E	1	1	0	1	0	1	1	0	1	0	0
	1	1	1	1	1	1	1	1	1	1	1



Conditions	Function		Results															
	11C1	11C2	11C1						11C2	11C3								
Pins	35	32	6	4	24	25	26	27	28	29	30	31	36	37	36	29	30	
					STAND BY	1	1	1	0	0	1	1	0	0	0	0	1	1
	1		1		STOP	1	1	1	0	0	1	0	0	0	0	0	1	1
	1	0	1		> (Pegel Tape)	0	0	1	1	0	1	0	0	1	0	0	1	1
	1	0	1		>> (Normal Speed)	0	1	1	0	0	1	0	0	0	0	0	1	1
	1	0	1		<< (Normal Speed)	1	0	1	0	0	1	0	0	0	0	0	1	1
	1	0	1		>> (Low Speed)	0	1	1	0	0	1	0	1	0	0	0	1	1
	1	0	1		<< (Low Speed)	1	0	1	0	0	1	0	1	0	0	0	1	1
	1	1	0	1	REC OPEN	1	1	1	0	0	1	0	0	0	0	0	1	1
	1	1	0	1	REC PAUSE (With Signal)	1	1	0	1	0	1	0	0	1	0	0	1	1
	1	1	0	1	REC (With Signal)	0	0	0	1	0	1	0	0	1	0	0	0	0
	1	1	0	1	REC CAL	0	0	0	0	1	0	0	0	1	0	0	0	0

*1 = 1.2V

LIST OF SEMI CONDUCTORS FOR PCB2



Transistors

2TR1	8320329	20	BC 338-25	2TR101/	8320344	20	BC 550 B
				201		20	BC 384 B-N
2TR2	8320097	20	BC 547B	2TR102/	8320366	19	MPS A16
				202			

IC's

2IC1	8340224	103	TL 072 CP	2IC101/	8340506	125	HA 12038
				201			
2IC2	8340232	102	LM 378				
		102	LM 3189N				

Diodes

2D1	8300023	209	1N 4002	2D2-3	8300058	209	1N 4148
		209	1N 4003	2D101/		217	SFD 184
				201		215	1N 4148
				2D102/			
				202			

For Service Manuals Contact
MAURITRON TECHNICAL SERVICES
 8 Cherry Tree Rd, Chinnor
 Oxon OX9 4QY
 Tel:- 01844-351694 Fax:- 01844-352554
 Email:- enquiries@mauritron.co.uk

LIST OF ELECTRICAL PARTS
Dolby NR. 8004389, PCB2

*Modstand som ikke er nævnt er 5% 1/4 W kulfilm.
Resistors not mentioned are 5% 1/4 W carbon film.
Widerstände die nicht erwähnt sind, sind 5% 1/4 W Kohlenfilm.*

R3	5020221	5,62 kΩ 1% 1/4 W	R217	5020074	15.0 kΩ 1% 1/4 W
R4	5020141	4,75 kΩ 1% 1/4 W	R220	5020223	6.19 kΩ 1% 1/4 W
R11	5310091	2 x 22 kΩ LOG	R229	5020362	56.2 kΩ 1% 1/4 W
R207	5300118	10 kΩ LOG	R230	5020223	6.19 kΩ 1% 1/4 W
R216	5020222	6.04 kΩ 1% 1/4 W	R237	5011009	47 Ω 5% 1/2 W
<hr/>					
C1	4201087	47 μF -10+100% 40 V	C214	4130221	18 nF ±5% 63 V
C2	4200403	100 μF -10+100% 25 V	C215	4200477	4.7 μF ±20% 25 V
C3	4200484	10 μF ±20% 25 V	C216	4130225	150 nF ±10% 63 V
C4	4200483	47 μF ±20% 16 V	C217	4130225	150 nF ±10% 63 V
C5	4200484	10 μF ±20% 25 V	C218	4200476	0.47 μF ±20% 50 V
C6	4200403	100 μF -10+100% 25 V	C219	4200476	0.47 μF ±20% 50 V
C7	4200122	220 μF -10+100% 10 V	C220	4010027	1 nF ±10% 100 V
C201	4010067	1.5 nF ±10% 63 V	C221	4100114	5.6 nF ±5% 63 V
C202	4100175	270 pF ±5% 63 V	C222	4100058	3.3 nF ±2.5% 63 V
C203	4010067	1.5 nF ±10% 63 V	C223	4100216	3.9 nF ±2.5% 63 V
C204	4200423	2.2 μF ±20% 50 V	C224	4200431	10 μF ±20% 16 V
C205	4100175	270 pF ±5% 63 V	C225	4003125	39 pF ±5% 63 V
C206	4000071	270 pF ±5% 63 V	C226	4130274	82 nF ±5% 63 V
C207	4200431	10 μF ±20% 16 V	C227	4200477	4.7 μF ±20% 25 V
C208	4200478	100 μF ±20% 10 V	C228	4130225	150 nF ±10% 63 V
C209	4100192	1.8 nF ±5% 63 V	C229	4200476	0.47 μF ±20% 50 V
C210	4130275	15 nF ±2.5% 63 V	C230	4200431	10 μF ±20% 16 V
C211	4130275	15 nF ±2.5% 63 V	C231	4010062	330 pF ±10% 100 V
C212	4200431	10 μF ±20% 16 V	C232	4010041	10 nF -20+80% 40 V
C213	4130220	10 nF ±5% 63 V			
<hr/>					
L201	8022111	10 mH	L203	8022127	36 mH
L202	8022111	10 mH			
<hr/>					
P30	7220167	Plug 6/6 pin			
	7200056	Socket for Dolby IC			
<hr/>					
S1	7400232	4 pol.			

For Service Manuals Contact
MAURITRON TECHNICAL SERVICES
8 Cherry Tree Rd, Chinnor
Oxon OX9 4QY
Tel: 01844-351694 Fax: 01844-352554
Email: enquiries@mauritron.co.uk

ELEKTRISKE JUSTERINGER

Henvisningerne er for højre kanal, (henvisningerne i parentes er for venstre kanal).

Hvis andet ikke nævnes, skal justeringerne foretages uden DOLBY NR. MPX omskifteren skal stå i stilling OUT. DIN LINE omskifteren skal stå i stilling LINE.

Azimut

For at en kunde lettere kan foretage en azimut justering, er det ved apparatet vedlagte bånd i dag et hvidstøjsbånd imod tidligere et 12,5 kHz bånd.

Azimut bånd 6780074 (evt. kundens azimutbånd) ilægges, LF voltmeter tilsluttes 2TP5 og 2TP6. (Oversigt side 3-3).
Play aktiveres.

Skruen A justeres til max. udslag på LF voltmeteret.

Hastighed

For Service Manuals Contact
MAURITRON TECHNICAL SERVICES
8 Cherry Tree Rd, Chinnor
Oxon OX9 4QY
Tel:- 01844-351694 Fax:- 01844-352554
Email:- enquiries@mauritron.co.uk

Wow bånd 6780037 ilægges. Med potentiometer B i motoren justeres til korrekt hastighed aflæst på et wow meters driftmeter. Justeringen foretages midt på båndet.

ELECTRICAL ADJUSTMENTS

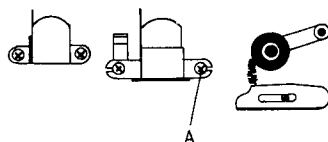
The references apply to the right-hand channel (the references in parenthesis apply to the left-hand channel).

If not otherwise instructed the adjustments shall be made without DOLBY NR. The MPX switch must be in position OUT. The DIN LINE switch must be in position LINE.

Azimuth

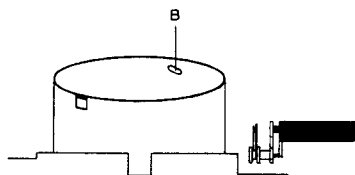
To make it easier for the customer to undertake Azimuth adjustment, the azimuth tape enclosed to the set today is a white noise tape, unlike previously a 12.5 kHz tape.

Load azimuth tape 6780074 (or customers azimuth tape).
Connect AF voltmeter to 2TP5 and 2TP6.
(Survey page 3-3).
Activate Play.



adjust the screw A to max. deflection on the AF voltmeter.

Speed



Load wow tape 6780037. Adjust, with the motor potentiometer B, until correct speed is read on the drift meter of a wow meter. Make the adjustment in a mid-tape position.

ELEKTRISCHE EINSTELLUNGEN

Die Hinweise beziehen sich auf den rechten Kanal (die in Klammern angeführten Hinweise beziehen sich auf den linken Kanal). Wenn nichts anderes angeführt ist, sind die Einstellungen ohne DOLBY NR vorzunehmen. Der MPX-Umschalter muß in Stellung OUT stehen. Der DIN/LINE-Umschalter muß in Stellung LINE stehen.

Azimut

Um eine Azimuth Justierung für einen Kunden zu erleichtern, ist das am Gerät beigefügten Tonband heute ein Weissrauschband im Gegensatz zu früher ein 12,5 kHz Band.

Das Azimut-Tonband 6780074 (oder das Azimut-Tonband des kunden) wird eingelegt. NF-Voltmeter wird an 2TP5 (2TP6) angeschlossen. (Übersicht Seite 3-3).
Play wird betätigt.

Die Schraube A wird auf maximalen Ausschlag am NF-voltmeter eingestellt.

Geschwindigkeit

Wow-Tonband 6780037 wird eingelegt. Mit dem Potentiometer B im Motor wird auf korrekte Geschwindigkeit eingestellt, welche am Driftmeter eines Wow-Meters abzulesen ist. Die Einstellung hat mitten auf dem Tonband zu erfolgen.

Ændring af gengive niveau (Dolby level)

Som en tilpasning til andre bånd-optagerfabrikater, og pre-indspillede bånd, er gengive niveauet (Dolby level) sænket 0,8 dB.

Gengiveniveauet blev før ændringen justeret til 725 millivolt med et pegel bånd (DIN standard 250 pWb mm) som reference. Efter ændringen skal der justeres til 660 millivolt med pegel bånd.

Justeringen kan også foretages med et Dolby level calibration bånd MTT-150A (200 pWb mm) som reference. Med dette bånd skal der justeres til 580 millivolt.

Gengiveniveau

1. DIN standard, 250 pwb mm.
2. Dolby level, 200 pwb mm.

1. Pegel bånd 6780035 ilægges. LF voltmeter tilsluttes 2TP3 (2TP4) 3R160 (3R260) justeres til der måles 660 millivolt i 2TP3 (2TP4).

2. Dolby level calibration bånd MTT-150A illægges. LF voltmeter tilsluttes 2TP3 (2TP4). 3R160 (3R260) justeres til der måles 580 millivolt i 2TP3 (2TP4).

PPM

1. Med 660 millivolt i 2TP3 (2TP4) justeres 11R16, til +1 dB lysdioderne på PPM indikatoren netop tændes.
2. Med 580 millivolt i 2TP3 (2TP4) justeres 11R16, til 0 dB lysdioderne på PPM indikatoren netop tænder.

Modification of play-back level (Dolby level)

As an adaptation for other tape recorder brands and pre-recorded tapes, the playback level (Dolby level) has been lowered by 0.8 dB. The play-back level before modification was adjusted to 725 millivolt with a level tape (DIN standard 250 pWb mm) as reference. After modification adjust to 660 millivolt by means of level tape.

Adjustment may also take place by means of a Dolby level calibration tape MMT-150A (200 pWb mm) as reference. When using this tape adjust to 580 millivolt.

Play-back level

1. DIN standard, 250 pWb mm.
2. Dolby level, 200 pWb mm.

1. Load level measuring tape 6780035. Connect an AF voltmeter to 2TP3 (2TP4). Adjust 3R160 (3R260) until a reading of 660 millivolt is obtained in 2TP3 (2TP4).

2. Load Dolby level calibration tape MTT-150A. Connect an AF voltmeter to 2TP3 (2TP4). Adjust 3R160 (3R260) until a reading of 580 millivolt is obtained in 2TP3 (2TP4).

PPM

1. Adjust 11R16, with 660 mV present in 2TP1 (2TP2), until the +1 dB LEDs on the PPM indicator are just coming on.
2. Adjust 11R16, with 580 mV present in 2TP1 (2TP2), until the 0 dB LEDs on the PPM indicator are just coming on.

Änderung von Wiedergabe-Niveau (Dolby Level)

Als Anpassen an andere Tonband-gerätfabrikate und vor-bespielten Tonbänder, ist das Wiedergabe-niveau (Dolby Level) 0,8 dB gesenkt worden. Das Wiedergabe-niveau wurde vor der Änderung, mit einem Pegelband (DIN Standard 250 pWb) als Referenz, auf 725 Millivolt justiert. Nach der Änderung muss mit dem Pegelband auf 660 Millivolt justiert werden.

Die Justierung kann auch mit einem Dolby Level Calibration Band MTT-150A (200 pWb mm).

Wiedergabepegel

1. DIN-Norm, 250 pWb mm.
2. Dolby-Level, 200 pWb mm.

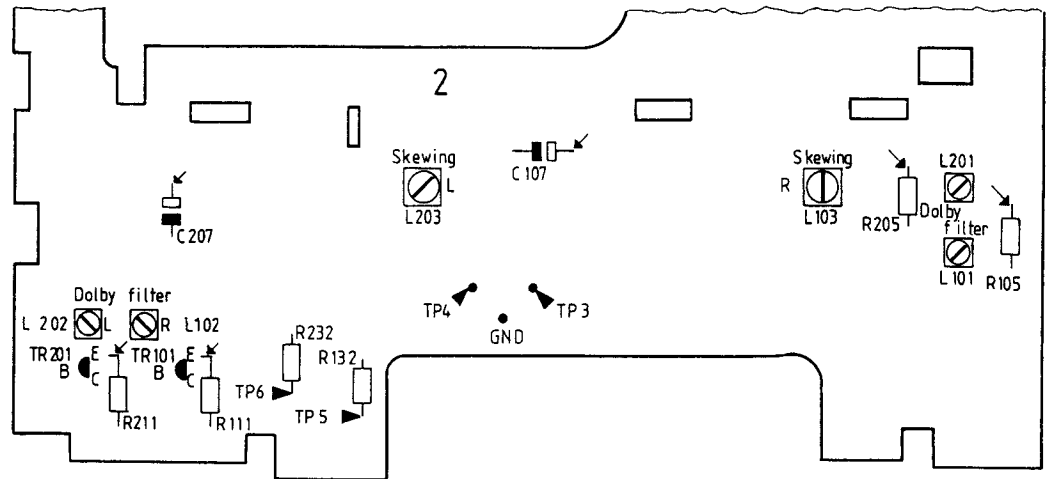
1. Das Pegel-Tonband 6780035 wird eingelegt. NF-Voltmeter wird an 2TP3 (2TP4) angeschlossen. 3R160 (3R260) wird eingestellt, bis in 2TP3 (2TP4) 660 Millivolt gemessen werden.

2. Dolby-Pegelkalibrier-Tonband MTT-150A wird eingelegt. NF-Voltmeter wird an 2TP3 (2TP4) angeschlossen. 3R160 (3R260) wird eingestellt, bis in 2TP3 (2TP4) 580 Millivolt gemessen werden.

PPM

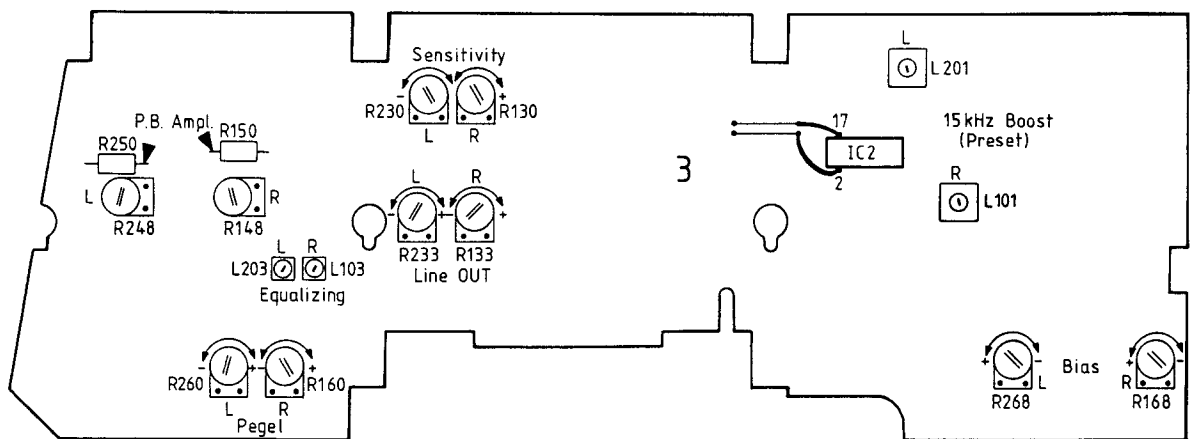
1. Mit 660 Millivolt in 2TP3 (2TP4) wird mit 11R16 eingestellt, bis die +1 dB Leuchtdioden der PPM-Anzeige gerade aufleuchten.
2. Mit 580 Millivolt in 2TP3 (2TP4) wird mit 11R16 eingestellt, bis die +0 dB leuchtdioden der PPM-anzeige gerade aufleuchten.

PCB2

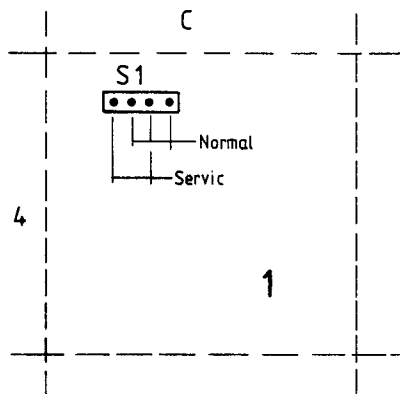


For Service Manuals Contact
MAURITRON TECHNICAL SERVICES
 8 Cherry Tree Rd, Chinnor
 Oxon OX9 4QY
 Tel: 01844-351694 Fax: 01844-352554
 Email: enquiries@mauritron.co.uk

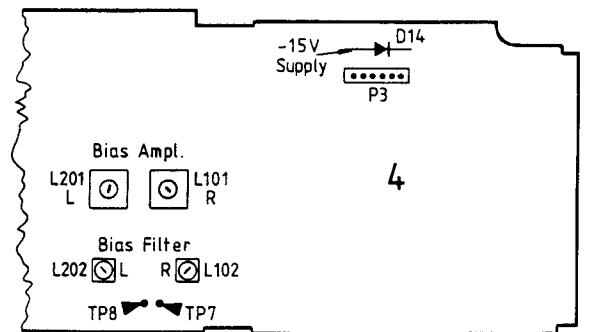
PCB3



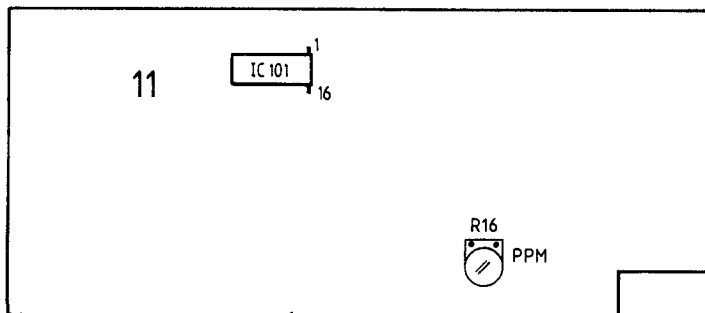
PCB1



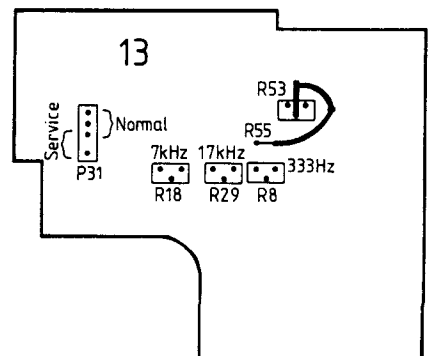
PCB4



PCB11



PCB13



Gengivefrekvensgang

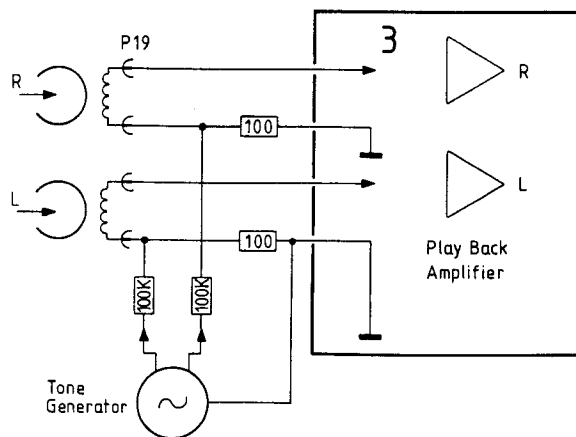
To 100 ohms modstande monteres i gengivehovedets stelledninger. En tonegenerator tilsluttes gengivehovedets stelledninger via to 100 kOhms modstande (se skitse).

Play Back frequency Response

Two 100 Ohm resistors are mounted to the earth connection of the playback head. A tone generator is connected to the earth connection of the play back head via two 100 kOhm resistors (see ill.).

Wiedergabe Frequenzgang

Es werden zwei 100 ohm Widerstände in den Masseleitungen des Wiedergabekopfes montiert. Ein Tongenerator wird über zwei 100 kOhm widerstände (siehe Skizze) an die Masseleitungen des Wiedergabekopfes angeschlossen.



For Service Manuals Contact
MAURITRON TECHNICAL SERVICES
8 Cherry Tree Rd, Chinnor
Oxon OX9 4QY
Tel:- 01844-351694 Fax:- 01844-352554
Email:- enquiries@mauratron.co.uk

Tonegeneratoren indstilles til at afgive 20 kHz 100 millivolt LF voltmeter tilsluttes 2TP5 (2TP6). Stop aktiveres. Et bånd ilægges og TAPE TYPE stilles til FE.

The tone generator is set to generate 20 kHz 100 mV. Connect AF voltmeter to 2TP5 (2TP6). Activate STOP. Load tape and set TAPE TYPE at FE.

Der Tongenerator wird zur Abgabe von 20 kHz 100 mV eingestellt. NF Voltmeter wird an 2TP1 (2TP2) angeschlossen. Die STOP Taste wird betätigt. Ein Tonband wird eingelegt und die TAPE TYPE Taste wird auf FE gesetzt.

Tonegeneratorens frekvens forøges langsomt, og samtidigt aflæses LF voltmetret. Resonansfrekvensen (max. output aflæst på LF voltmetret) skal ligge på 26 kHz. Hvis resonansfrekvensen er for høj f.eks. 27 kHz, hæves værdien på 3C120 (3C220) indtil resonansfrekvensen er 26 kHz. Hvis resonansfrekvensen er for lav sænkes værdien på 3C120 (3C220). Kapacitetsændringerne på 3C120 (3C220) ligger i størrelsesordenen 20 pF pr. kHz.

Slowly increase the tone generator frequency, and at the same time read the AF voltmeter. Resonance frequency (max. output read from AF voltmeter) must be 26 kHz. If the resonance frequency is too high, e.g. 27 kHz, raise the 3C120 (3C220) value until resonance frequency is 26 kHz. If the resonance frequency is too low the 3C120 (3C220) value will lower. The capacity changes of 3C120 (3C220) will be in the order 20 pF per kHz.

Die Frequenz des Tongenerators wird langsam vergrößert, und gleichzeitig wird das NF Voltmeter abgelesen. Die Resonanzfrequenz (max. Ausgangswert am NF Voltmeter abgelesen) muß 26 kHz sein. Sollte die Resonanzfrequenz zu hoch sein, z.B. 27 kHz, muß der 3C120 (3C220) Wert vergrößert werden, bis die Resonanzfrequenz 26 kHz ist. Sollte die Resonanzfrequenz zu gering sein, muß der 3C120 (3C220) Wert gesenkt werden. Die kapazitätsvariationen von 3C120 (3C220) legen in der Größenordnung 20 pF pro kHz.

Tonegeneratorens frekvens ændres til 333 Hz. Niveaueet på LF voltmetret aflæses og noteres.

The tone generator frequency is altered to 333 Hz. The level of the AF voltmeter is read and written down.

Die Frequenz des Tongenerators wird auf 333 Hz geändert. Das NF Voltmeter angezeigte Niveau wird abgelesen und notiert.

Tonegeneratorens frekvens ændres til 25 kHz, og 3R148 (3R248) justeres indtil niveaueet ved 25 kHz er faldet til 2 dB i forhold til niveaueet ved 333 Hz. Modstandene afmonteres og tonehovedet afmagnetiseres.

The tone generator frequency is altered to 25 kHz, and 3R148 (3R248) is adjusted until the 25 kHz level drops by 2 dB in relation to the 333 Hz level. The resistors are dismantled and tape head is demagnetized.

Die Frequenz des Tongenerators wird auf 25 kHz geändert, und 3R148 (3R248) wird justiert, bis das Niveau bei 25 kHz im Verhältnis zum Niveau bei 333 Hz um 2 dB abgefallen ist. Die Widerstände werden abmontiert und der Tonkopf wird entmagnetisiert.

15 kHz hæv, PRESET

Tonegenerator tilsluttes AMPLIFIER indgangen og indstilles til at afgive 333 Hz 500 millivolt.
Bånd ilægges.
REC PAUSE aktiveres.
LF voltmeter tilsluttes 3IC2 ben 2 (17).
REC aktiveres.
Ben 1 og ben 16 på 11IC101 korsluttet meget kortvarigt (PRESET).
Record potentiometrene indstilles til der måles f.eks. 1 volt (0 dB) på 3IC2 ben 2 (17).

Tonegeneratorens frekvens ændres til 15 kHz (± 200 Hz).
Med 3L101 (3L201) justeres indtil niveauet er hævet 7 dB ved 15 kHz i forhold til 333 Hz.

Hvis 7 dB ikke kan opnås, kan værdien af 3R10 ændres for at tilpasse 3IC2.

Kalibrerings detektor og oscilator

Detektor og 333 Hz osc.

Et bånd ilægges og REC OPEN aktiveres.
De to servicestik 13P31 og 1S1 stilles i serviceposition.
På betjeningspanelet tages 800.
REC CAL aktiveres.

DC voltmeter tilsluttes glideren på 13R53 (eller 13R55), og 13R53 justeres indtil der måles 2,85V ± 10 mV.
13R8 justeres indtil NO STORE lysdiode blinker og derefter netop lyser konstant.
13R53 justeres indtil der måles 2,95V ± 10 mV på dens glider (eller 13R55).
STOP aktiveres.

15 kHz Boost, PRESET

Connect a tone generator to the AMPLIFIER input and set it to output 333 Hz 500 mV.
Load tape.
Activate REC. PAUSE.
Connect an AF voltmeter to 3IC2, pin 2 (17).
Activate REC.
Short-circuit for a very brief period of time pins 1 and 16 on 11IC101 (PRESET).
Adjust the Record potentiometers until a reading of, say 1V (0 dB) on 11C2, pin 2 (17).

Alter the tone generator frequency to 15 kHz (± 200 Hz).
Adjust with 3L101 (3L201) until the level has been raised 7 dB at 15 kHz relative to 333 Hz.

In case 7 dB cannot be obtained, the value of 3R10 may be modified in order to fit 3IC2.

Calibration Detector and Oscillator

Detector and 333 Hz Oscillator

Load a tape and activate REC. OPEN.
Set the two service plugs 13P31 and 1S1 in servicing position.
Key-in 800 on the control panel.
Activate REC. CAL.

Connect a DC voltmeter to the slider on 13R53 (or 13R55) and adjust 13R53 until a reading of 2,85V ± 10 mV.
Adjust 13R8 until the NO STORE LED is flickering and then just starts to glow constantly.
Adjust 13R53 until a reading of 2,95V ± 10 mV is obtained on its slider (or 13R55).
Activate STOP.

15 kHz-Anhebung, PRESET

Der Tongenerator wird an den AMPLIFIER-Eingang angeschlossen und zur Abgabe von 333 Hz 500 Millivolt eingestellt.
Tonband wird eingelegt.
REC PAUSE wird betätigt.
NF-Voltmeter wird an Anschluß 2 (17) des 3IC2 angeschlossen.
REC wird betätigt.
Anschluß 1 und Anschluß 16 des 11IC101 werden sehr kurzzeitig kurzgeschlossen (PRESET).
Die Record-Potentiometer werden eingestellt, bis am Anschluß 2 (17) des 3IC2 z.B. 1 Volt (0 dB) gemessen wird.

Die Frequenz des Tongenerators wird auf 15 kHz (± 200 Hz) geändert. Mit 3L101 (3L201) wird eingestellt, bis das Niveau bei 15 kHz im Verhältnis zu 333 Hz um 7 dB angehoben worden ist.

Falls 7 dB nicht erzielt werden kann, kann die Werte von 3R10 geändert werden um 3IC2 anzupassen.

Eichdetektor und Oszillator

Detektor und 333 Hz-Oszillator

Ein Tonband wird eingelegt und REC OPEN wird betätigt.
Die beiden Service-Steck-Buchsen 13P31 und 1S1 werden in Serviceposition gebracht.
Am Bedienungspanel werden 800 getastet.
REC CAL wird betätigt.

Ein DC-Voltmeter wird an den Schleifer des 13R53 (oder 13R55) angeschlossen, und 13R53 wird eingestellt, bis 2,85V ± 10 mV gemessen werden.
13R8 wird eingestellt, bis die NO STORE-Leuchtdiode blinkt und anschließend gerade konstant leuchtet.
13R53 wird eingestellt, bis an dessen Schleifer (oder 13R55) 2,95V ± 10 mV gemessen werden.
STOP wird betätigt.

17 kHz osc.

På betjeningspanelet tastes 200.
REC CAL aktiveres.
13R29 justeres indtil NO STORE
lysdioden blinker og derefter netop
lyser konstant.
STOP aktiveres.

17 kHz Oscillator

Key-in 200 on the control panel.
Activate REC. CAL.
Adjust 13R29 until NO STORE
LED is flickering and then just
starts to glow constantly.
Activate STOP.

17 kHz-Oszillator

Am Bedienungspanel werden 200
getastet.
REC CAL wird betätigt.
13R29 wird eingestellt, bis die NO
STORE-Leuchtdiode blinkt und
anschließend gerade konstant
leuchtet.
STOP WIRD betätigt.

7 kHz osc.

På betjeningspanelet tastes 1 gang
0.
REC CAL aktiveres.
13R18 justeres indtil NO STORE
lysdioden blinker og derefter netop
slukker.
STOP aktiveres.

7 kHz Oscillator

Key-in 1x0 on the control panel.
Activate REC. CAL.
Adjust 13R18 until the NO STORE
LED is flickering and then just
dies away.
Activate STOP.

7 kHz-Oszillator

Am Bedienungspanel wird einmal
0 getastet.
REC CAL wird betätigt.
13R18 wird eingestellt, bis die NO
STORE-Leuchtdiode blinkt und
anschließend gerade verlöscht.
STOP wird betätigt.

Biasforstærker og filter

Der måles med DC voltmeter på
4TP7 (4TP8) i forhold til -15 volt
forsyning. Record aktiveres (uden
LF signal tilført samt Tape Type
skal vise CR).
4L101 (4L201) og 4L102 (4L202)
justeres til minimum udslag på DC
voltmeteret.

Bias Amplifier and Filter

Measure with a DC voltmeter on
4TP7 (4TP8) relative to the -15
Volt supply.
Activate Record (without AF signal
applied and TAPE TYPE shall
show CR).
Adjust 4L101 (4L201) and 4L102
(4L202) until minimum deflection
on the DC voltmeter.

**Vormagnetiseringsverstærker
und Filter**

Es wird mit einem DC-Voltmeter
in 4TP7 (4TP8) im Verhältnis zu -
15 Volt-Versorgung gemessen.
REC wird betätigt (ohne Zuführung
des NF-Signal und TAPE TYPE
muß CR anzeigen). 4L101 (4L201)
und 4L102 (4L202) werden auf
minimalen Ausschlag am DC-
Voltmeter justiert.

Record kalibrering

Ved kalibrerings justeringerne skal
norm bånd 6780087 (TDK SAC90)
benyttes. (Tape Type skal vise CR)

Record Calibration

Use standard test tape 6780087
(TDK SAC90) for the calibration
adjustments (TAPE TYPE shall
show CR).

Record-Eichung

Für die Eich-Justierungen ist
Norm-Tonband 6780087 (TDK SA
C90) zu benutzen (TAPE TYPE
muß CR anzeigen).

Følgende justeringer foretages:

Bias højre og venste.
Følsomhed (optagestrøm) højre og
venstre.
Equalizing højre og venstre.

Make the following adjustments:
Right-hand and left-hand bias.
Right-hand and left-hand sensitivity
(recording current).
Right-hand and left-hand
equalizing.

Følgende Einstellungen sind vorzu-
nehmen:
Vormagnetisierung (Bias) rechts
und links.
Empfindlichkeit (Aufnahmestrom)
rechts und links.
Entzerrung (Equalizing) rechts und
links.

Det skal bemærkes at juste-
ringerne er meget følsomme.
Serviceстик 1S1 skal stå i service
position, og 13P31 skal stå i
normal position.

It should be noted that these ad-
justments are very sensitive.
Service plug 1S1 shall be in
servicing position while 13P31
shall be in normal position.

Es sei in diesem Zusammenhang
bemerkt, daß die Einstellungen
sehr empfindlich sind.
Die Servicesteckbuchse 1S1 muß
in Service-Position stehen, und
13P31 muß sich in Normal-
Position befinden.

Bias højre

På betjeningspanelet tastes 6.
REC CAL aktiveres.
3R168 justeres indtil NO STORE
lysdioden blinker og derefter netop
lyser konstant.
STOP aktiviseres.

Right-hand Bias

Key-in 6 on the control panel.
Activate REC. CAL.
Adjust 3R168 until the NO STORE
LED is flickering and then just
starts to glow constantly.
Activate STOP.

Vormagnetisering (Bias) rechts

Am Bedienungspanel werden 6
getastet.
REC CAL wird betätigt.
3R168 wird eingestellt, bis die NO
STORE-Leuchtdiode blinkt und
anschließend gerade konstant
leuchtet.
STOP wird betätigt.

Bias venstre

På betjeningspanelet tastes 106.
REC CAL aktiveres.
3R268 justeres indtil NO STORE
lysdioden blinker og derefter netop
lyser konstant.
STOP aktiveres.

Left-hand Bias

Key-in 106 on the control panel.
Activate REC. CAL.
Adjust 3R268 until the NO STORE
LED is flickering and then just
starts to glow constantly.
Activate STOP.

Vormagnetisering (Bias) links

Am Bedienungspanel werden 106
getastet.
REC CAL wird betätigt.
3R268 wird eingestellt, bis die NO
STORE-Leuchtdiode blinkt und
anschließend gerade konstant
leuchtet.
STOP wird betätigt.

Følsomhed højre (optagestrøm)

På betjeningspanelet tastes 805.
REC CAL aktiveres.
Efter ca. 10 sek. justeres 3R130,
indtil NO STORE lysdioden blinker
og derefter netop lyser konstant.
STOP aktiveres.

Right-hand Sensitivity (Recording Current)

Key-in 805 on the control panel.
Activate REC. CAL.
Adjust 3R130, after approx. 10
seconds, until NO STORE LED is
flickering and then just starts to
glow constantly.
Activate STOP.

Empfindlichkeit rechts (Aufnahmestrom)

Am Bedienungspanel werden 805
getastet.
REC CAL wird betätigt.
Nach ca. 10 Sekunden wird 3R130
eingestellt, bis die NO STORE-
Leuchtdiode blinkt und
anschließend gerade konstant
leuchtet.
STOP wird betätigt.

Følsomhed venstre (optagestrøm)

På betjeningspanelet tastes 905.
REC CAL aktiveres.
Efter ca. 10 sek. justeres 3R230,
indtil NO STORE lysdioden blinker
og derefter netop lyser konstant.
STOP aktiveres.

Left-hand Sensitivity (Recording Current)

Key-in 905 on the control panel.
Activate REC. CAL.
Adjust 3R230, after approx. 10
seconds, until the NO STORE LED
is flickering and then just starts to
glow constantly.
Activate STOP.

Empfindlichkeit links (Aufnahmestrom)

Am Bedienungspanel werden 905
getastet.
REC CAL wird betätigt.
Nach ca. 10 Sekunden wird 3R230
eingestellt, bis die NO STORE-
Leuchtdiode blinkt und
anschließend gerade konstant
leuchtet.
STOP wird betätigt.

Forklaring til kontrolskema (side 3-9)

Efter justering kan de opnåede
resultater udlæses på displayet i en
rækkefølge som fremgår af kontrol
skemaet på side 3-9 (den nævnte
rækkefølge i skemaet skal følges).
Kontrol af bias højre og venstre,
følsomhed højre, equalizing højre
og PPM højre foretages med servi-
cestikkene i normal position.

Explanation of Control Diagram (page 3-10)

When adjustments have been
made the results obtained can be
readout on the display in a se-
quence as per below control
diagram (the sequence indicated in
the diagram must be adhered to).
Control of right-hand and left-hand
bias, right-hand sensitivity, right-
hand equalisation and right-hand
PPM are made with the service
plugs in normal position.

Erläuterungen zum Kontrollschema (Seite 3-11)

Nach beendetem Einstellvorgang
können die erzielten Ergebnisse in
der im umstehenden
Kontrollschema gezeigten Reihen-
folge am Display ausgelesen
werden (die im Schema
angegebene Reihenfolge ist einzu-
halten).
Prüfen von Vormagnetisierung
(Bias) rechts und links, Empfind-
lichkeit rechts, Entzerrung
(Equalizing) rechts und PPM
rechts erfolgt mit den servicesteck-
buchsen in Normalposition:

1. Foretag en REC CAL på norm båndet.
2. Efter REC CAL (ca. 15 sek.), aktiveres STOP og holdes aktiveret medens TAPE TYPE aktiveres.
3. Når displayet blinker 00'00, tastes en knap
4. på betjeningspanelet, som svarer til det resultat (funktion) som ønskes udlæst. Knap nummer og tilhørende funktion fremgår af nedenstående:

Knap

- 1 Bias venstre
- 2 Bias højre
- 3 Equalizing højre
- 4 Følsomhed højre
- 5 PPM højre

3. Det skal bemærkes 00'00 kun blinker kortvarigt, men kan fremkaldes igen ved gentryk på STOP-TAPE TYPE, og at udlæsningsknapperne kan aktiveres umiddelbart efter hinanden.
De to forreste cifre i displayet er et udtryk for hvor i apparatets automatiske justeringsområde, bånd kalibreringen har stillet sig. Talværdierne går fra 00 til 15.
Det sidste ciffer på displayet er nummeret på den knap, som er aktiveret.

For kontrol af følsomhed, equalizing og distortion i venstre kanal gælder følgende:

5. Servicestik 1S1 skal stå i serviceposition.
6. På betjeningspanelet tastes 11 11.
7. Foretag en REC CAL på norm båndet.
8. Efter REC CAL, aktiveres STOP og holdes aktiveret medens TAPE TYPE aktiveres.
9. Når displayet blinker 00'00 tastes en knap på betjeningspanelet (knap numrene
10. er de samme som ved højre kanal).

1. Make a REC. CAL. on the standard test tape.
2. Activate STOP after REC. CAL. (for approx. 15 sec.) and keep it activated while TAPE TYPE is activated.
3. While the display is flashing 00'00, key-in a button
4. on the control panel, corresponding to the result (function) which is required readout. Button number and its relative function will appear from below:

Button

- 1 Left-hand bias
- 2 Right-hand bias
- 3 Right-hand equalizing
- 4 Right-hand sensitivity
- 5 Right-hand PPM

3. It should be noted that 00'00 will only be flashing briefly, but it is reproduceable by pressing again STOP-TAPE TYPE, and that the readout buttons may be activated in immediate sequence.
The two first digits of the display are an indication of the location within the automatic adjusting area of the tape recorder at which the tape calibration has been operative. The numbers go from 00 till 15. The last digit of the display are the number of the activated button.

For the checking of sensitivity, equalizing and distortion of the left-hand channel the following applies:

5. Service plug 1S1 must be in servicing position.
6. Key-in 11 11 on the control panel.
7. Make a REC. CAL. on the standard test tape.
8. Subsequent to the REC. CAL., activate STOP and keep it activated while TAPE TYPE is being activated.
9. When the display is flashing 00'00, key-in a button on the control panel (the button numbers
10. are the same as for the right-hand channel).

1. Es wird REC CAL bei eingelegetem Norm-Tonband betätigt.
2. Nach REC CAL (ca. 15 Sekunden) wird STOP betätigt und bleibt gedrückt, während TAPE TYPE betätigt wird.
3. Wenn das Display 00'00 blinkt, wird am Bedienungspanel
4. ein Knopf betätigt, der dem auszulesenden Ergebnis (Function) Entspricht. Knopfnummer und dazuhörige Funktion gehen aus nachfolgende Aufstellung herfor:

Knopf

- 1 Vormagnetisierung (Bias) links
- 2 Vormagnetisierung (Bias) rechts
- 3 Entzerrung (Equalizing) rechts
- 4 Empfindlichkeit rechts
- 5 PPM rechts

3. Es sei darauf aufmerksam gemacht, daß 00'00 nur kurzzeitig blinken, aber bei erneuter Betätigung von STOP-TAPE TYPE, wieder abgerufen werden können und daß die Ausleseknöpfe unmittelbar nacheinander betätigt werden können.

Die beiden ersten Ziffern im Display zeigen an, wo sich die Bändeichung im automatischen Einstellbereich des Gerätes gestellt hat. Die Zahlenwerte reichen von 00 bis 15. Die letzte Ziffer des Displays ist die Nummer des betätigten Knopfes.

Für das Prüfen von Empfindlichkeit, Entzerrung (Equalizing) und Verzerrung (Distortion) im linken Kanal gilt folgendes:

5. Die Servicesteckbuchse 1S1 muß in Serviceposition stehen.
6. Am Bedienungspanel werden 11 11 getastet.
7. Es wird REC CAL bei eingelegetem Norm-Tonband betätigt.
8. Nach REC CAL wird STOP betätigt und bleibt betätigt, während TAPE TYPE betätigt wird.
9. Wenn Das Display 00'00 blinkt, wird am Bedienungspanel
10. ein Knopf betätigt (die Knopfnummern sind dieselben wie beim rechten Kanal).

Kontrol skema

Aktivitet	Display
Serviceстик i normal pos.	
1. REC CAL på norm båndet	
2. STOP og samtidig TAPE TYPE	
3. Når display blinker 00'00	
Bias højre knap 2	9 noter udlæsningerne
4. Bias venstre knap 1	8-9 eller 10
Følsomhed højre knap 4	9-10 eller 11
Hvis den udlæste værdi er for lav, f.eks. 7, drejes mod + på 3R168 (3R268) eller 3R130. Hvis værdien er for høj drejes mod - Det udlæste resultat skal være indenfor de nævnte områder ved 3 på hinanden følgende REC CAL	
Efter eventuel korrektion af bias og følsomhed	
Aktivitet	Display
STOP og samtidig TAPE TYPE	
Når display blinker 00'00	
Equalizing højre knap 3	3-4-5-6-7 eller 8
PPM højre knap 5	Større end 9. Er værdien mindre end 9 kan det skyldes fejl ved justering af pegel eller 7 kHz osc. eller fejl i tonehovedet
Eventuel korrektion af equalizing højre kan foretages med 3L103	
Aktivitet	Display
5. Serviceстик 1S1 i service pos.	
6. Tast 11 11	11 11
7. REC CAL på norm båndet	
8. STOP og samtidig TAPE TYPE	
9. Når display blinker 00'00	
4. Bias højre knap 2	9
Bias venstre knap 1	8-9 eller 10
10. Følsomhed venstre knap 4	Værdien i højre ± 1
Equalizing venstre knap 3	Værdien i højre ± 1 (dog inden for 3-8)
PPM venstre knap 5	større end 10 (se højre)
Eventuel korrektion af equalizing venstre kan foretages med 3L203	

For Service Manuals Contact
MAURITRON TECHNICAL SERVICES
 8 Cherry Tree Rd, Chinnor
 Oxon OX9 4QY
 Tel:- 01844-351694 Fax:- 01844-352554
 Email:- enquiries@mauriton.co.uk

Control Diagram

Activity	Display
Service plug in normal pos.	
1. REC CAL on standard test tape	
2. STOP and simultaneously TAPE TYPE	
3. When the display is flashing 00'00	
Right-hand bias, button 2	9 make note of readout
4. Left-hand bias button 1	8-9 or 10
Right-hand sensitivity, button 4	9-10 or 11
Should the readout value be too low, say 7, turn towards + on 3R168 (3R268) or 3R130. Should the value be too high, turn towards -. The readout result should be within the above-mentioned ranges for 3 subsequent REC CALs.	
Subsequent to correction, if any, of bias and sensitivity.	
Activity	Display
STOP and simultaneously TAPE TYPE	
When the display is flashing 00'00	
Right-hand equalizing, button 3	3-4-5-6-7 or 8
Right-hand PPM, button 5	Higher than 9. Should the value be lower than 9, this may be due to a fault situation at the adjustment of standard test conditions or the 7 kHz oscillator or a fault in the recording head.
If needed, correction of right-hand equalizing can be made with 3L103	
Activity	Display
5. Service plug 1S1 in servicing position	
6. Key-in 11 11	11 11
7. REC CAL on standard test tape	
8. STOP and simultaneously TAPE TYPE	
9. When the display is flashing 00'00	
4. Right-hand bias button 2	9
Left-hand bias button 1	8-9 or 10
10. Left-hand sensitivity button 4	Value in right-hand ± 1
Left-hand equalizing button 3	Value in right-hand ± 1 (however within 3-8)
Left-hand PPM button 5	Higher than 10 (see right-hand)
If needed, correction of left-hand equalizing can be made with 3L203	

For Service Manuals Contact
MAURITRON TECHNICAL SERVICES
 8 Cherry Tree Rd, Chinnor
 Oxon OX9 4QY
 Tel:- 01844-351694 Fax:- 01844-352554
 Email:- enquiries@mauritron.co.uk

Kontrollschema

Aktivität/Vorgang	Display-Anzeige
1. Servicesteckbuchse in Normalposition	
2. REC CAL bei eingelegtem Norm-Tonband	
3. STOP und gleichzeitig TAPE TYPE	
3. Wenn Display 00'00 blinkt	
4. Vormagnetisierung (Bias) rechts Knopf 2	9 (Ausgabewerte notieren)
4. Vormagnetisierung (Bias) links Knopf 1	8-9 oder 10
Empfindlichkeit rechts Knopf 4	9-10 oder 11
Wenn der ausgegebene Wert zu niedrig ist, z.B. 7, wird am 3R168 (3R268) oder 3R130 in Richtung + gedreht. Wenn der Wert zu hoch ist, wird in Richtung - gedreht. Das ausgegebene Ergebnis muß bei 3 aufeinander folgenden REC CAL-Vorgängen innerhalb der genannten Bereiche liegen.	
Nach einer etwaigen Korrektur der Vormagnetisierung und Empfindlichkeit.	
Aktivität/Vorgang	Display-Anzeige
STOP und gleichzeitig TAPE TYPE	
Wenn Display 00'00 blinkt	
Entzerrung (Equalizing) rechts Knopf 3	3-4-5-6-7 oder 8
PPM rechts Knopf 5	Höher als 9. Wenn der Wert unter 9 ist, kann dies auf Fehler bei der Einstellung des Pegels oder des 7-kHz-Oszillators oder Fehler im Tonkopf zurückzuführen sein.
<p style="text-align: center;"> For Service Manuals Contact MAURITRON TECHNICAL SERVICES 8 Cherry Tree Rd, Chinnor Oxon OX9 4QY Tel: 01844-351634 Fax: 01844-352554 Email: enquiries@mauritron.co.uk </p>	
Eine etwaige Korrektur von Entzerrung (Equalizing) rechts läßt sich mit Hilfe von 3L103 durchführen.	
Aktivität/Vorgang	Display-Anzeige
5. Servicesteckbuchse in Serviceposition	
6. 11 11 eintasten	11 11
7. REC CAL bei eingelegtem Norm-Tonband	
8. STOP und gleichzeitig TAPE TYPE	
9. Wenn Display 00'00 blinkt	
4. Vormagnetisierung (Bias) rechts Knopf 2	9
Vormagnetisierung (Bias) links Knopf 1	8-9 oder 10
10. Empfindlichkeit links Knopf 4	Wert rechts ± 1
Entzerrung (Equalizing) links Knopf 3	Wert rechts ± 1 (jedoch im Bereich 3-8)
PPM links Knopf 5	Höher als 10 (siehe oben unter Verzerrung rechts)
Eine etwaige Korrektur von Entzerrung (Equalizing) links läßt sich mit Hilfe von 3L203 vornehmen.	

Bias filter Dolby

2L101 (2L102):

Der monteres en modstand på 10 Mohm fra slettehovedet til punktet mellem 2R105 (2R205) og 2L101 (2L201).

Dolby filter

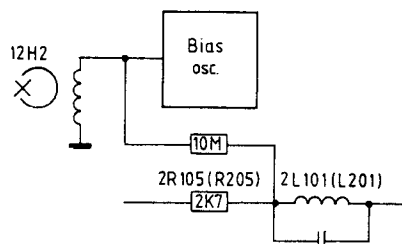
2L101 (2L201):

Fit a resistor of 10 Mohm between the erase head and the node of 2R105 (2R205) and 2L101 (2L201).

Vormagnetiserings-(Bias)-Filter-Dolby

2L101 (2L201):

Es wird ein Widerstand von 10 MOhm vom Löschknopf zum abzweigstellen zwischen 2R105 (2R205) und 2L101 (2L201) montiert.



LF voltmeter tilsluttes 2TP3 (2TP4).

Record pause aktiveres (uden LF signal tilført).

Record potentiometerne stilles i midterstilling.

2L101 (2L201) justeres til minimum spænding målt i 2TP3 (2TP4).

10 Mohm afmonteres.

Connect an AF voltmeter to 2TP3 (2TP4).

Activate Record Pause (with no AF signal applied).

Set the Record potentiometers in centre position.

Adjust 2L101 (2L201) until the minimum reading is obtained in 2TP3 (2TP4).

Remove the 10 Mohm resistor.

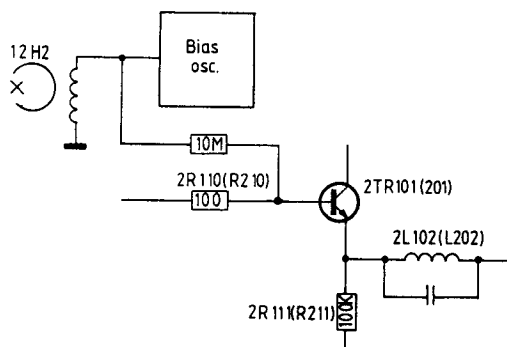
Die Record-Potentiometer werden in Mittenstellung gebracht

REC PAUSE wird betätigt (ohne NF Signal).

NF-Voltmeter wird an 2TP3 (2TP4) angeschlossen.

2L101 2L201) wird eingestellt, bis das NF-Voltmeter den kleinstmöglichen Ausschlag anzeigt.

Der 10 MOhm Widerstand wird entfernt.



For Service Manuals Contact
MAURITRON TECHNICAL SERVICES
8 Cherry Tree Rd, Chinnor
Oxon OX9 4QY
Tel: 01844-351694 Fax: 01844-352554
Email: enquiries@mauritron.co.uk

2L102 (2L202)

Der monteres en modstand på 10 M ohm fra slettehovedet til basis af 2TR101 (2TR201).

LF voltmeter tilsluttes den positive pol af 2C107 (2C207).

Record pause aktiveres.

2L102 (2L202) justeres til minimum spænding målt ved 2C107 (2C207).

10 Mohm afmonteres.

2L102 (2L202).

Fit a 10 Mohm resistor between the erase head and the base of 2TR101 (2TR201).

Activate Record Pause.

Connect an AF voltmeter to the positive pole of 2C107 (2C207). Adjust with 2L102 (2L202) until minimum deflection on the AF voltmeter is obtained.

Remove the 10 Mohm resistor.

2L102 (2L202):

Der 10-MOHm-widerstand wird jetzt an den Basis von 2TR101(2TR201) angeschlossen. REC PAUSE wird betätigt.

NF-Voltmeter wird an positiven Pol des 2C107 (2C207) angeschlossen.

Es wird mit 2L102 (2L202) eingestellt, bis das NF-Voltmeter den kleinstmöglichen Ausschlag anzeigt.

Der 10-MOHm-Widerstand wird entfernt.

Skewing

Dolby NR omskifteren stilles i stilling NR C.

Tonegenerator tilsluttes AMPLIFIER indgangen og indstilles til at afgive 19,9 kHz (± 200 Hz) og 300 millivolt.

LF voltmeter tilsluttes 2TP3 (2TP4).

REC aktiveres.

Record potentiometerne indstilles til der måles 300 millivolt i 2TP3 (2TP4).

2L103 (2L203) justeres til minimum udslag på LF voltmeteret i 2TP3 (2TP4).

Skewing

Set the Dolby NR. switch to NR. C mode.

Connect the tonegenerator to the AMPLIFIER input and set it to output 19,9 kHz (± 200 Hz) and 300 millivolt.

Connect an AF voltmeter to 2TP3 (2TP4).

Activate REC.

Adjust the Record potentiometers until a reading of 300 millivolt is obtained in 2TP3 (2TP4).

Adjust 2L103 (2L203) until minimum deflection is obtained on the AF voltmeter in 2TP3 (2TP4).

Skewing

Der Dolby-NR-Umschalter wird in Stellung NR C gebracht.

Der Tongenerator wird an den AMPLIFIER-Eingang angeschlossen und zur Abgabe von 19,9 kHz (± 200 Hz) und 300 Millivolt eingestellt.

NF-Voltmeter wird an 2TP3 (2TP4) angeschlossen.

REC wird betätigt.

Die Record-Potentiometer werden eingestellt, bis in 2TP3 (2TP4)

300 Millivolt gemessen werden.

2L103 (2L203) wird auf kleinstmöglichen Ausschlag am NF-Voltmeter in 2TP3 (2TP4) eingestellt.

For Service Manuals Contact
MAURITRON TECHNICAL SERVICES
8 Cherry Tree Rd, Chinnor
Oxon OX9 4QY
Tel: 01844-351694 Fax: 01844-352554
Email: enquiries@mauritron.co.uk