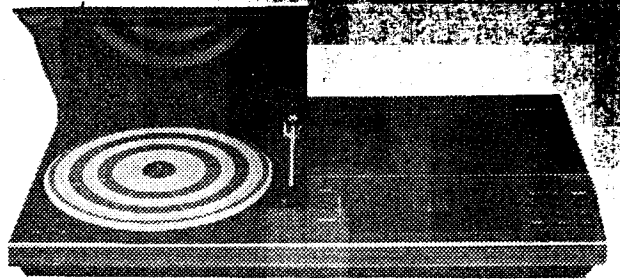


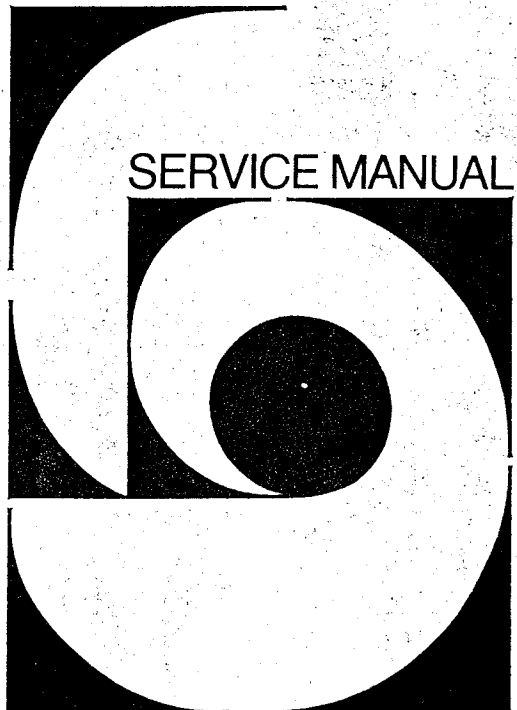
Bang & Olufsen



Beocenter 5000

Type 1802-1804

For Service Manuals
MAURITRON SERVICES
8 Cherry Tree Road, Chinnor
Oxfordshire, OX9 4QY.
Tel (01844) 351694
Fax (01844) 352554
email: mauritron@dial.pipex.com



For Service Manuals Contact
MAURITRON TECHNICAL SERVICES
8 Cherry Tree Rd, Chinnor
Oxon OX9 4QY
Tel:- 01844-351694 Fax:- 01844-352554
Email:- enquiries@mauritron.co.uk

CONTENTS

	Section
Circuit diagrams and PC boards	1
Survey of transistors, IC's and diodes	2
List of Electrical Parts	3
List of Mechanical Parts	4
Adjustment, radio section	5
Adjustment, tape recorder	6
Adjustment, record play	7
Technical data	8
Dismantle	9
Service tips (wow frequencies and dial drive)	10
Insulation test*	11

**Read this new section, which in future will form part at new service manuals*

MEASURING CONDITIONS

All DC voltages are measured relative to ground with voltmeter (inner resistance 10 Mohms).

DC voltages are stated in volts (V), ex.: 0.7 V.

Oscillograms and AC voltages are measured relative to signal ground with oscilloscope or voltmeter with an input resistance of 1 Mohm.

AC voltages are stated in millivolt (mV), ex.: 725 mV.

Voltages on the FM and AM. section are measured without signal in position P6 - FM.

Voltages on the turntable section are measured in position PH(33 r.p.m.).

Voltages on the tape recorder section are measured in position TP, play back, (333 Hz, 250 pWb mm).

Signal paths are shown for AM (position MW) and FM and for AF right channel.

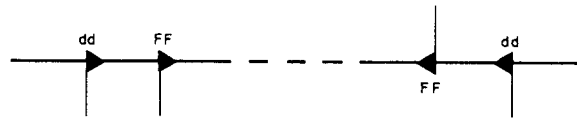
The tape recorder signal path in recording position is shown in right channel, and replay position is shown in left channel.

Mechanical switches are shown in neutral position.

EXPLANATION TO DIAGRAM

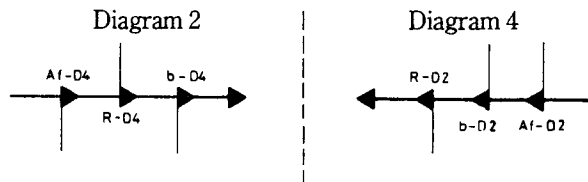
Because of the large number of internal connections in the set the wire connections have been gathered into »bundles« in the diagram. The individual wire is provided with codes indicating where they lead to. This principle is also applied in Bang & Olufsen's CTV diagrams.

INTERNAL CONNECTION ON A DIAGRAM PAGE



indicating by two identical letters (capital or small).

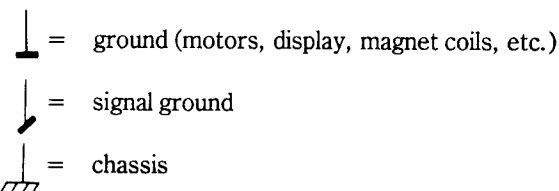
CONNECTION TO ANOTHER DIAGRAM PAGE






indicated by a letter (capital or small) and a diagram (D) number or by a small and a capital letter together with a diagram (D) number.

GROUND SYMBOLS

Three different ground symbols are used in the set.



TP0

In the power supply on PC3 is stated a ground test point TP0. In this and only in this test point ,  and  are connected to each other.

TP0 may therefore be used as reference for both DC measurements and signals measurements in the set. However, in connection with fault finding on the various modules the ground of the module in question should always be used as reference.

TP0 is used as reference at measurements of DC voltages from the power supply (PC3-4).

CO-ORDINATE NUMBERS

The biggest PC boards are provided with co-ordinate systems. The components on these PC boards are provided with a co-ordinate number on the diagram (smaller printing type than the position numbers) indicating in which co-ordinate they are placed on the PC board.

The co-ordinate numbers for the left channel of the output amplifier are stated in brackets in the diagram for right channel.

ADJUSTMENT OF NO-SIGNAL-CURRENT

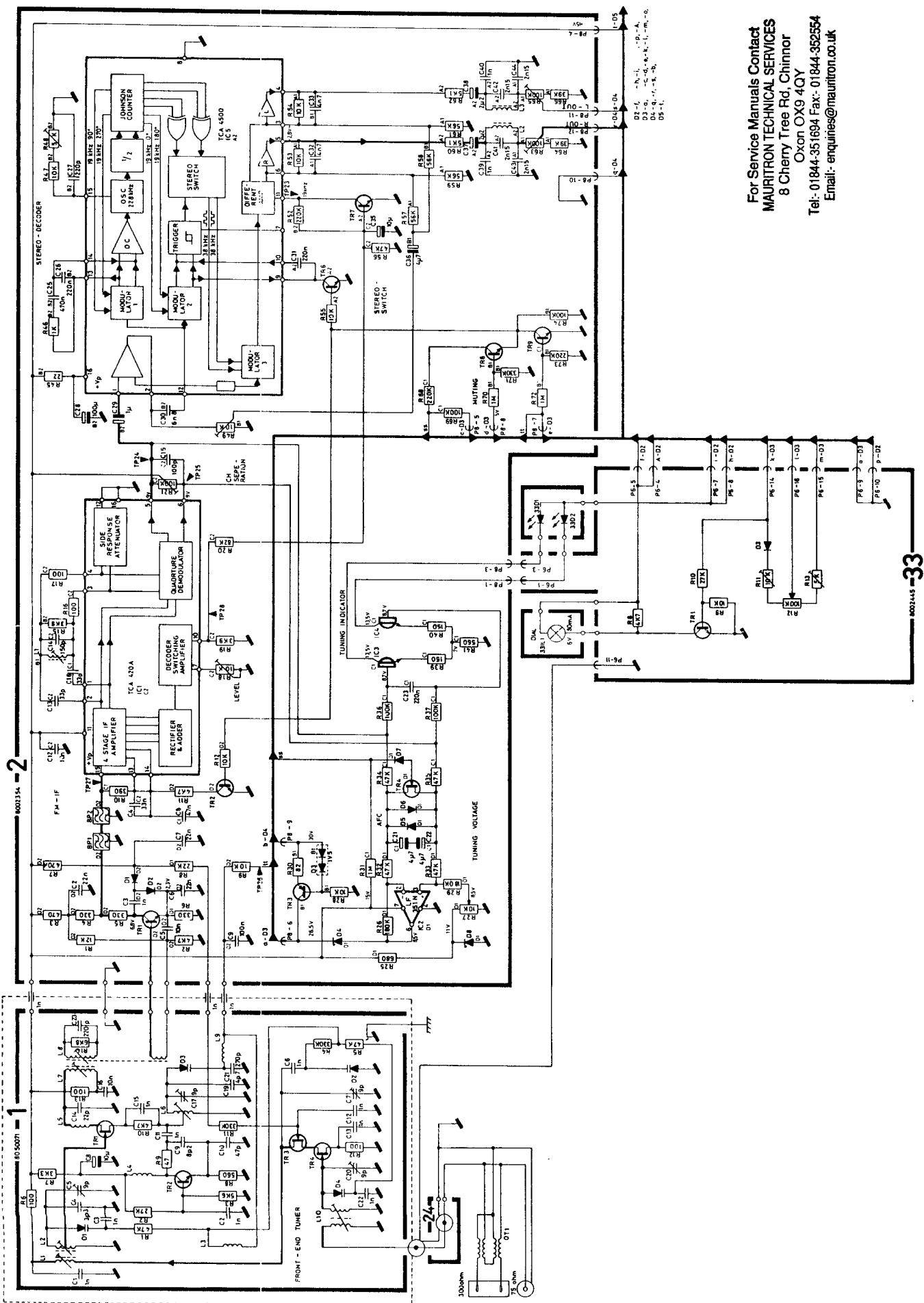
Adjust no-signal-current with receiver cold and volume control turned down. **SPEAKERS MUST NOT BE CONNECTED.**

With 3R224 (3R124) adjust to 10 mV DC measured across emitter resistor 3R226 (3R126) TP200/TP201 (TP100/TP101), or adjust to 25 mA in collector of 3IC200 (3IC100).

Symbol for safety resistors

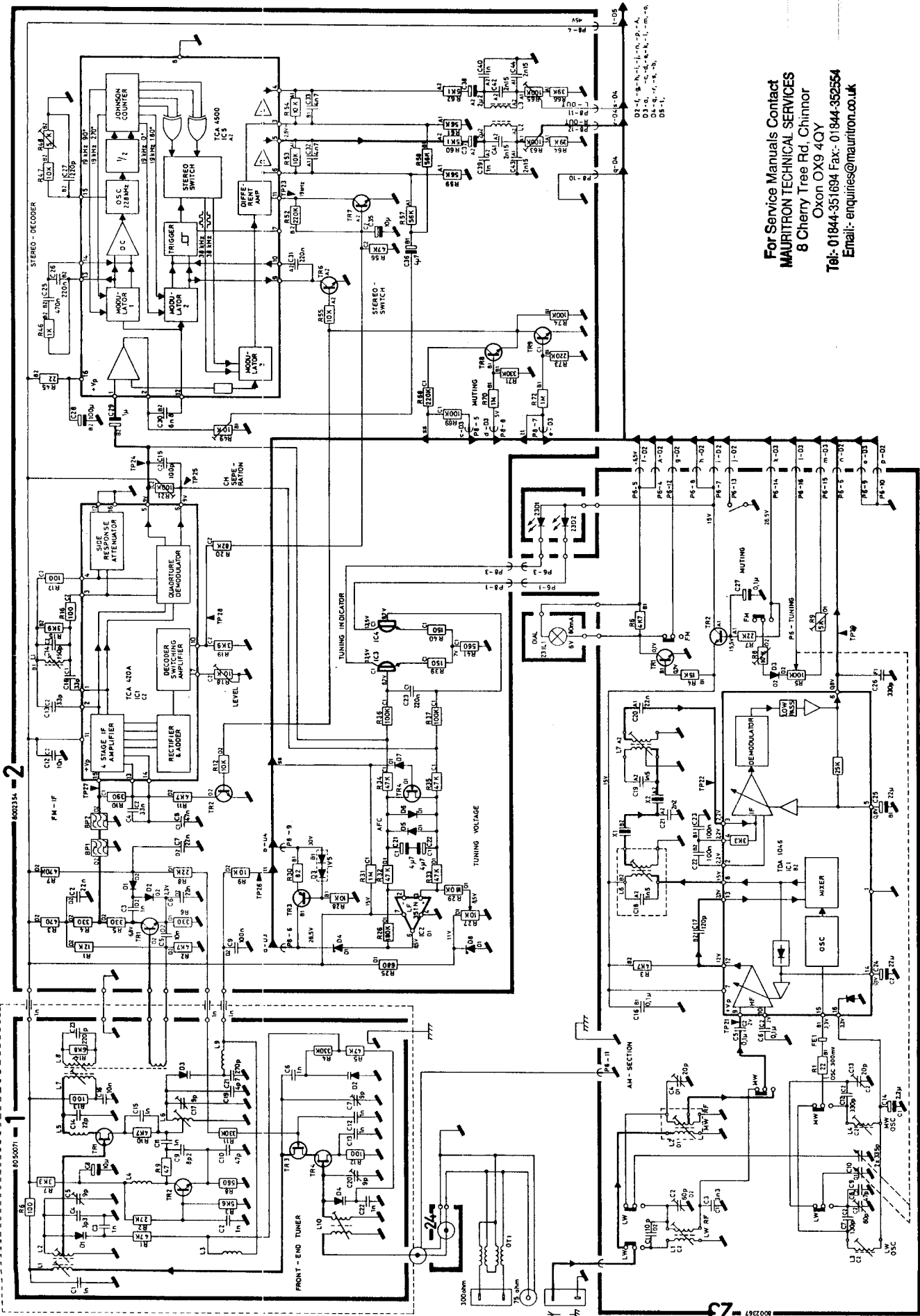


When replacing components with this symbol use the same type and the same values for ohms and watts. The new components is to be mounted in the same way as the replaced.



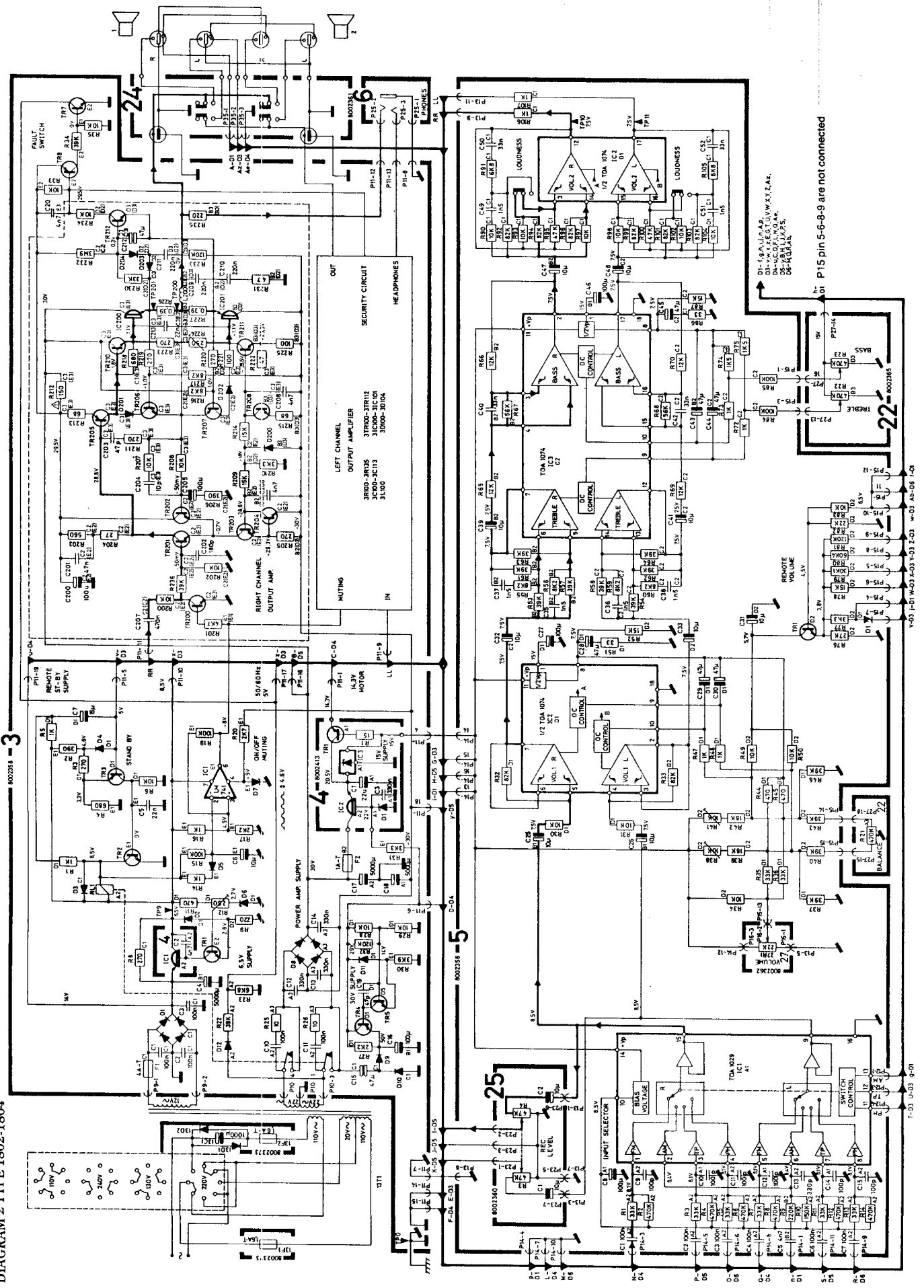
For Service Manuals Contact
MAURITRON TECHNICAL SERVICES
 8 Cherry Tree Rd, Chinnor
 Oxon OX9 4QY
 Tel: 01844-351694 Fax: 01844-352554
 Email: enquiries@mauritron.co.uk

DIAGRAM 1 TYPE 1804



For Service Manuals Contact
MAURITRON TECHNICAL SERVICES
 8 Cherry Tree Rd, Chinnor
 Oxon OX9 4QY
 Tel: 01844-351694 Fax: 01844-352554
 Email: enquiries@mauritron.co.uk

DIAGRAM 2 TYPE 1802-1804



3

4

5

24

25

22

P15 pin 5-8-9 are not connected

DI-1801A, A.P.
DI-1802A, A.P.
DI-1803A, A.P.
DI-1804A, A.P.

FUNCTION TABLE FOR DIAGRAM 3

FUNCTION TABLE FOR MICRO-COMPUTER 21IC5															
PIN	CONDITIONS			FUNCTION	RESULTS										
	21	24	39		27	28	29	22	23	30	31	32	33	34	
		0		PHONO	1	1	1		0	1	1	0	0	0	
				P1	1	1	1		1	1	1	1	0	0	
				P2	1	1	1		1	1	1	0	1	0	
				P3	1	1	1		1	1	1	1	1	0	
				P4	1	1	1		1	1	1	0	0	1	
				P5	1	1	1		1	1	1	1	0	1	
				P6	1	1	1		1	1	1	0	1	1	
		1		TAPE	0	0	0		1	1	1	1	1	1	
				STAND BY	1	1	1		1	1	0	1	1	1	
	1			REC. OPEN											
				P1-REC.PAUSE	0	1	1		1	1	0	1	1	0	0
				P1-REC.	0	0	0		1	0	1	1	0	0	
	1			➤	0	0	1					1			
	1			⏪	0	1	0					1			
				METAL TP				0							

FUNCTION TABLE 21IC7 (SN 7445)												
FUNCTION	INPUTS				OUTPUT AT PINS							
	D	C	B	A	1	2	3	4	5	6	7	9
PHONO	0	0	0	0	0	1	1	1	1	1	1	1
P1	0	0	0	1	1	0	1	1	1	1	1	1
P2	0	0	1	0	1	1	0	1	1	1	1	1
P3	0	0	1	1	1	1	0	1	1	1	1	1
P4	0	1	0	0	1	1	1	1	1	0	1	1
P5	0	1	0	1	1	1	1	1	1	0	1	1
P6	0	1	1	0	1	1	1	1	1	1	1	1
TAPE	0	1	1	1	1	1	1	1	1	1	1	0
ST-BY	0	1	1	1	1	1	1	1	1	1	1	0

FUNCTION TABLE 21IC1 (SN74LS42)											
FUNCTION	INPUTS				OUTPUT AT PINS						
	D	C	B	A	2	3	4	5	6	7	8
PHONO	0	0	0	0	1	0	1	1	1	1	1
P1	0	0	0	1	0	1	1	1	1	1	1
P2	0	0	1	0	1	0	1	1	1	1	1
P3	0	0	1	1	0	1	1	1	1	1	1
P4	0	1	0	0	1	1	1	1	1	1	1
P5	0	1	0	1	1	1	1	1	1	1	1
P6	0	1	1	0	1	1	1	1	1	1	1
TAPE	0	1	1	1	1	1	1	1	1	1	1
ST-BY	0	1	1	1	1	1	1	1	1	1	1

FUNCTION TABLE 21IC2 (SN74247)											
DECIMAL ON DISPLAY	INPUTS				OUTPUTS						
	D	C	B	A	a	b	c	d	e	f	g
0	0	0	0	0	0	0	0	0	0	0	1
1	0	0	0	1	1	0	0	1	1	1	1
2	0	0	1	0	0	0	1	0	0	1	0
3	0	0	1	0	0	0	0	1	1	0	0
4	0	1	0	0	1	0	0	1	1	0	0
5	0	1	0	1	0	0	0	1	0	0	0
6	0	1	1	0	0	1	0	0	0	0	0
7	0	1	1	1	0	0	0	1	1	1	1
8	1	0	0	0	0	0	0	0	0	0	0
9	1	0	0	1	0	0	0	0	1	0	0
OFF	1	1	1	1	1	1	1	1	1	1	1

For Service Manuals Contact
MAURITRON TECHNICAL SERVICES
 8 Cherry Tree Rd, Chinnor
 Oxon OX9 4QY
 Tel: 01844-351694 Fax: 01844-352554
 Email: enquiries@mauritron.co.uk

Microcomputer and Display, 8002442, PC21

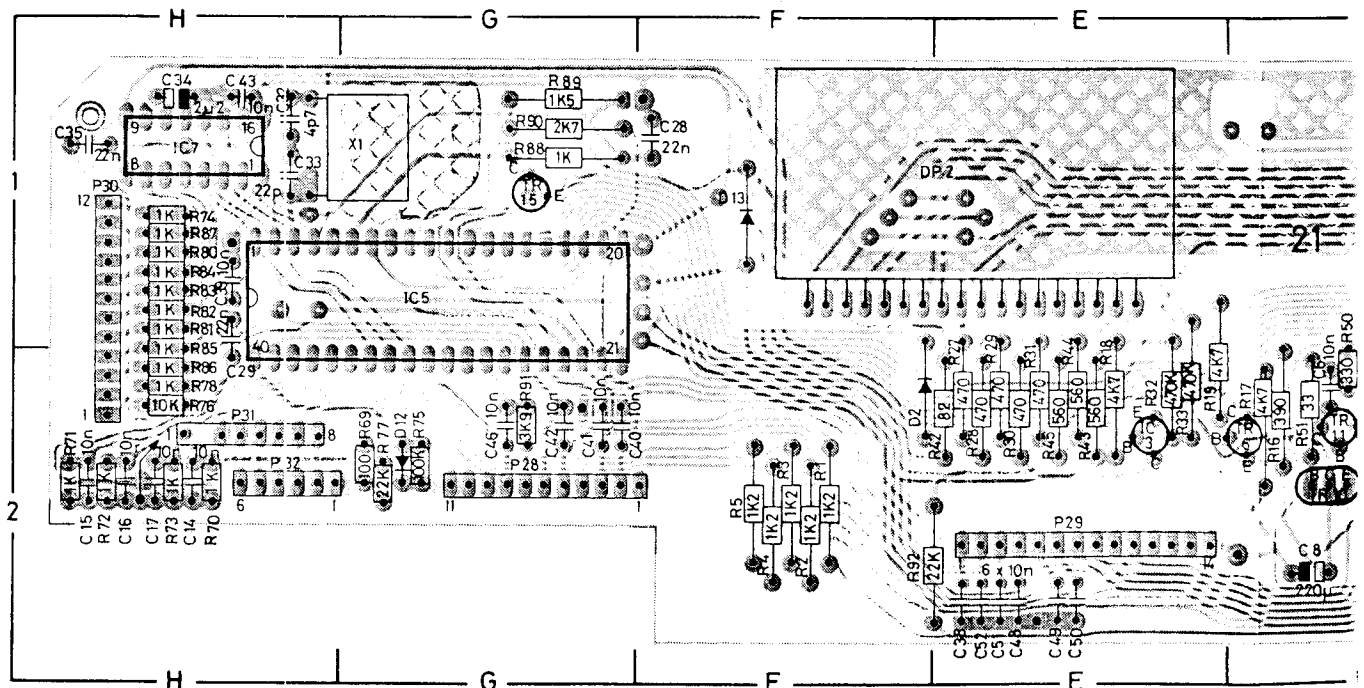
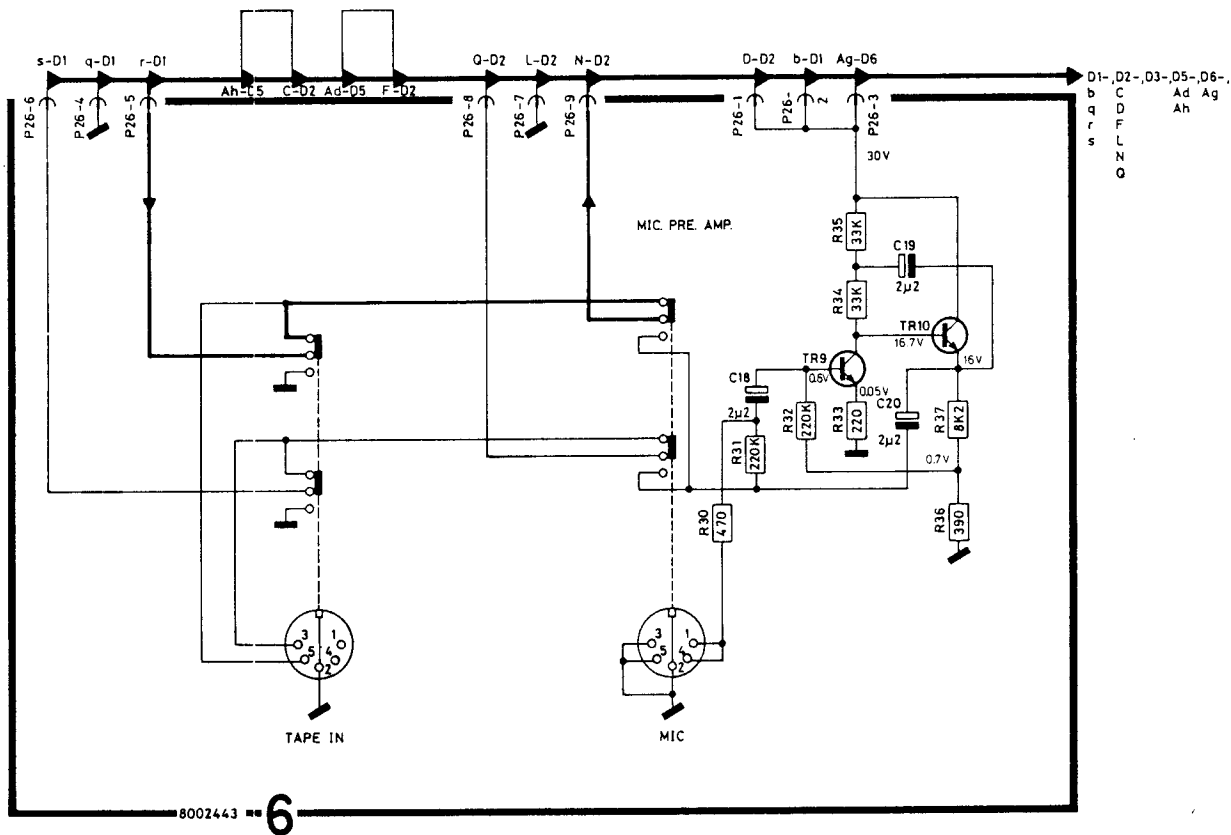
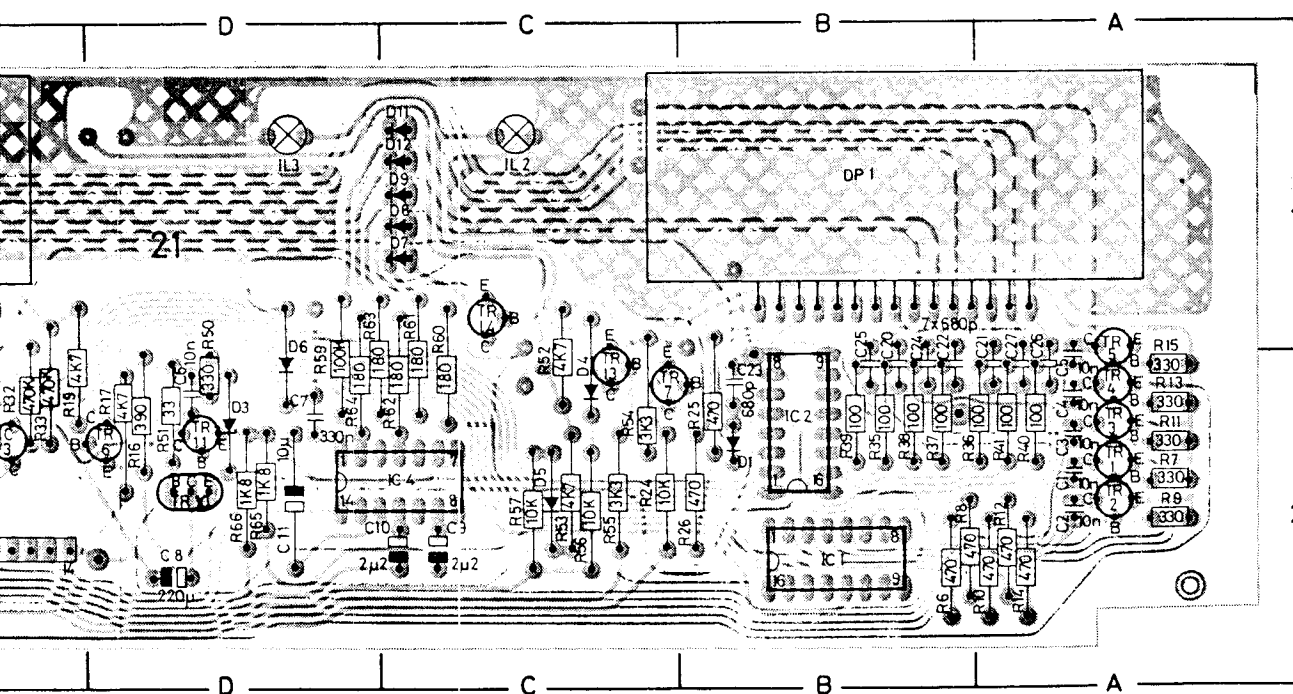


DIAGRAM 4 TYPE 1802-1804

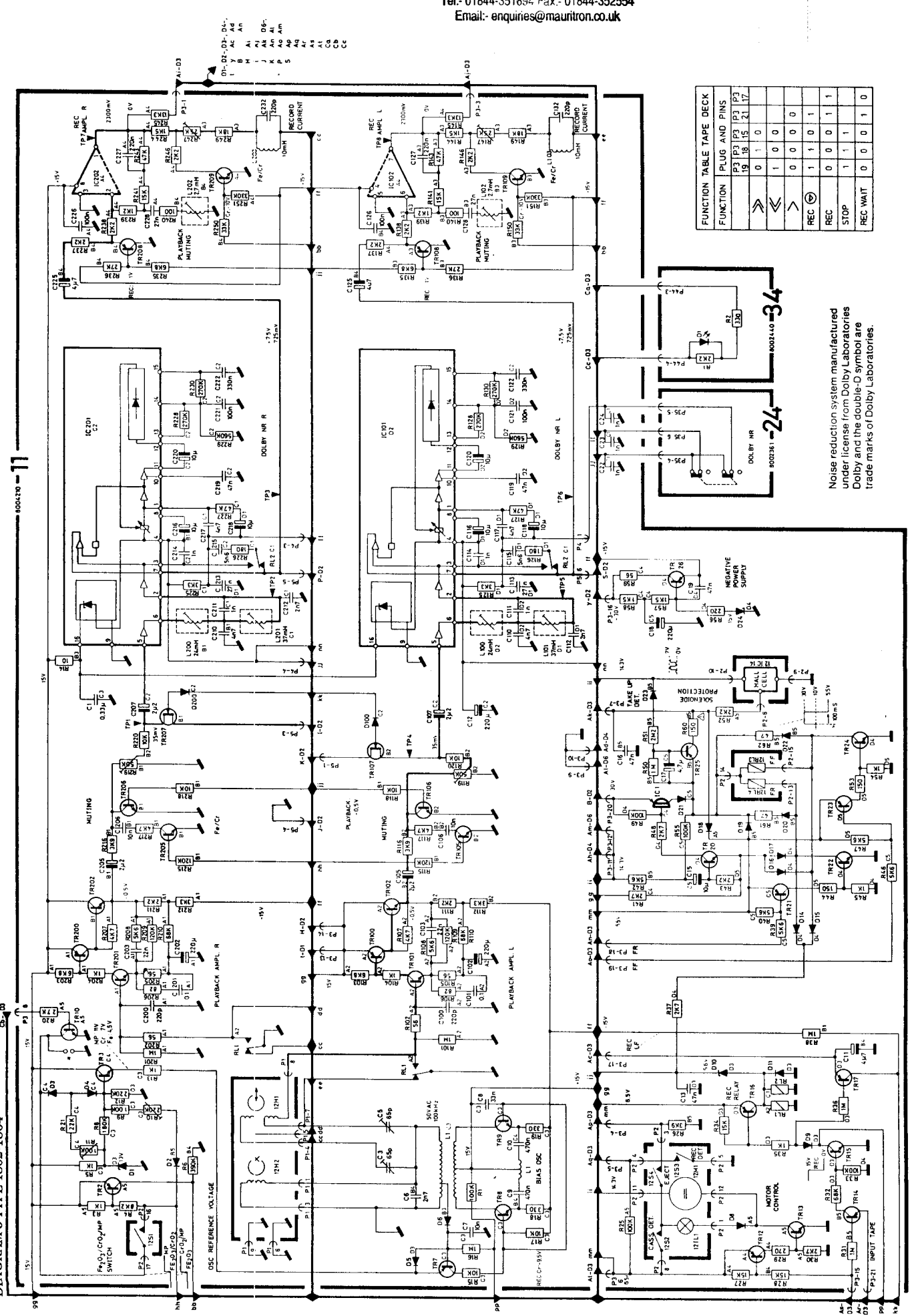


For Service Manuals Contact
MAURITRON TECHNICAL SERVICES
 8 Cherry Tree Rd, Chinnor
 Oxon OX9 4QY
 Tel:- 01844-351694 Fax:- 01844-352554
 Email:- enquiries@mauritron.co.uk

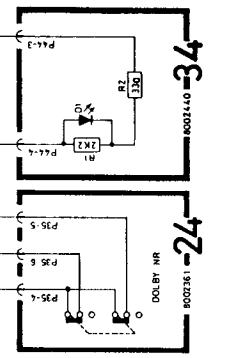


For Service Manuals Contact
MAURITRON TECHNICAL SERVICES
 8 Cherry Tree Rd, Chinnor
 Oxon OX9 4QY
 Tel: 01844-351634 Fax: 01844-352554
 Email: enquiries@mauritron.co.uk

DIAGRAM 5 TYPE 1802-1804



FUNCTION	PLUG AND PINS
↗	P3 P3 P3 P3 P3
↘	19 18 15 21 17
>	1 0 0
<	1 0 0
REC	1 1 0 1
REC	0 0 0 1 1
STOP	1 1 1
REC WAIT	0 0 0 1 0



Noise reduction system manufactured under license from Dolby Laboratories. Dolby and the double-D symbol are trade marks of Dolby Laboratories.

* TO BE SHORTED, WHEN P.C. ARE USED IN SETS, WITHOUT METAL TAPE SWITCH.

LIST OF TRANSISTORS AND IC's

19 	20 	21 	23 	24 	31 	32 	35
39 	42 	101 	102 	103 	105 	109 	111
124 							

For Service Manuals Contact
MAURITRON TECHNICAL SERVICES
 8 Cherry Tree Rd, Chinnor
 Oxon OX9 4QY
 Tel:- 01844-351694 Fax:- 01844-352554
 Email:- enquiries@mauritron.co.uk

1TR1	8320136	21	TIS88/3C2 green	3TR5	8320237	20	BC 546B
		21	SPF 2060	3TR7	8320097	20	BC 547B
1TR2	8320112	23	BF 495 23 BF 255	3TR8	8320152	20	BC 557B
1TR3	8320119	21	TIS88A	3TR100/200	8320366	19	MPS A16
1TR4				3TR101/201	8320458	20	BC 550C
2TR1	8320311	42	BF 240	3TR102/202			
2TR2	8320097	20	BC 547B	3TR103/203	8320097	20	BC 547B
2TR3	8320152	20	BC 557B	3TR104/204			
2TR4	8302396	24	2N 5639 24 MPF 4392	3TR105/205	8320365	19	MPS H54
2TR6	8320097	20	BC 547B	3TR106/206	8320097	20	BC 547B
2TR7				3TR107/207	8320152	20	BC 557B
2TR8				3TR108/208	8320097	20	BC 547B
2TR9	8320377	20	BC 547C	3TR110/210	8320321	19	MPS A06
2IC1	8340033	101	TCA 420A	3TR111/211			
2IC2	8340168	103	LF 351N	3TR112/212	8320237	20	BC 546B
2IC3	8340054	19	MPS A13	3IC1	8340141	103	LM 741CN
2IC4				3IC100/200	8340132	39	BDV 65A
2IC5	8340134	101	TCA 4500	3IC101/201	8340133	39	BDV 64A
3TR1	8320097	20	BC 547B	4TR1	8320429	32	BD 435
3TR2	8320295	20	BC337 -25/18	4IC1	8340118	31	BDX 34A
3TR3	8320152	20	BC 557B			35	TEO 1089
3TR4	8320241	32	BD 138/W			35	FJ 2501
				4IC2	8340117	31	BDX 33A
						35	TEO 1088
						35	FJ 3001

4IC3	8340064	105	LM 340T-15	11TR101/201	8320344	20	BC 550B
			105 μ A 7815CU				
			105 μ A 7815UC	11TR102/202	8320097	20	BC 547B
			105 MC 7815CT	11TR105/205			
			105 μ A 7815CKC	11TR106/206			
5TR1	8320097	20	BC 547B	11TR107/207	8320396	24	2N 5639
							24 MPF 4392
5IC1	8340188	101	TDA 1029	11TR108/208	8320152	20	BC 557B
5IC2	8340187	111	TDA 1074	11TR109/209	8320366	19	MPS A16
5IC3				11IC1	8340184	32	BD 676
6TR9	8320097	20	BC 547B	11IC101/201	8340183	101	LM 1011AN
6TR10				11IC102/202	8340195	103	LF 353BN
11TR2	8320152	20	BC 557B	12IC14	8004216		Hall-element
11TR3	8320097	20	BC 547B	17TR1	8320108	20	BC 548B
11TR7	8320152	20	BC 557B	17TR2			
11TR8	8320237	20	BC 546B	17TR3			
11TR9				17TR4	8320331	20	BC328-
11TR10	8320097	20	BC 547B	17TR5			25/18
11TR12	8320152	20	BC 557B	17TR6	8320108	20	BC 548B
11TR13	8320429	32	BD 435	17TR7	8320104	20	BC 558B
11TR14	8320152	20	BC 557B	17TR8	8320097	20	BC 547B
11TR15	8320097	20	BC 547B	17TR9	8320396	24	2N 5639
11TR16	8320331	20	BC 328- 25/18				24 4PF 4392
11TR17	8320152	20	BC 557B	17TR100/200	8320344	20	BC 550B
11TR20	8320097	20	BC 547B	17IC1	8340108	109	MHN-3P2- RDS
11TR21	8320152	20	BC 557B	17IC100/200	8340054	19	MPS A13
11TR22	8320427	32	BD 437				19 TPS A13
11TR23	8320152	20	BC 557B	21TR1	8320331	20	BC 328- 25/18
11TR24	8320427	32	BD 437	21TR2			
11TR25	8320152	20	BC 557B	21TR3			
11TR26	8320428	32	BD 438	21TR4			
11TR100/200	8320152	20	BC 557B	21TR5			
				21TR6	8320104	20	BC 558B
				21TR7	8320108	20	BC 548B
				21TR10	8320368	31	BD 533

21TR11	8320329	20	BC 338/25
21TR12	8320331	20	BC 328-
21TR13			25/18
21TR14	8320108	20	BC 548B
21IC1	8340199	101	SN74LS42
21IC2	8340156	101	SN74247N
21IC3	8340054	19	MPS A13
		19	TPS A13
21IC4	8340104	102	SN 16880N
21IC5	8340200	124	µC 8048
21IC6	8340201	124	Exp. 8355
21IC7	8340192	101	SN 7445N

22TR1	8320152	20	BC 557B
22TR2			
22TR3			
22TR4			
22TR5			
22TR6			
23TR1	8320329	20	BC 338/25
23TR2	8320237	20	BC 546B
23IC1	8340196	101	TDA 1046
34TR1	8320152	20	BC 557B
34TR2	8320097	20	BC 547B

For Service Manuals Contact
MAURITRON TECHNICAL SERVICES
8 Cherry Tree Rd, Chinnor
Oxon OX9 4QY
Tel: 01844-351694 Fax: 01844-352554
Email: enquiries@mauritron.co.uk

LIST OF DIODES, ETC.

203	209	215	217	220			
1D1	8300041	209	BB 103green	3D12	8300058	217	SFD 184
1D2						215	1N 4148
						209	1N 4148
1D3	8300050	209	BB 103blue	3D100/200	8300029	209	ZPD 12 V 5%
1D4						209	BZX 79 12V
						209	BZX 83 12V
2D1	8300058	217	SFD 184	3D101/201	8300058	217	SFD 184
2D2		215	1N 4148	3D102/202		215	1N 4148
		209	1N 4148	3D103/203		209	1N 4148
2D3	8300056	209	ZTE 1.5 10%	3D104/204			
2D4	8340190	209	ZTK 18	4D1	8300033	209	ZPD 22V 5%
2D5	8300058	217	SFD 184			209	BZX 79 22V
2D6		215	1N 4148			209	BZX 83 22V
2D7		209	1N 4148	5D1	8300058	217	SFD 184
2D8	8340189	209	ZTK 11			215	1N 4148
						209	1N 4148
3D1	8300297		B80C3700/ 2200	8D2	8330022	203	LD 271
3D2	8300135	209	ZPD3.5V 5%	8D3			V-290-P
		209	BZX 79 3.3V	8D4			
		209	BZX 83 3.3V	11D1	8300029	209	ZPD 12V 5%
3D3	8300058	217	SFD 184			209	BZX 79 12V
3D4		215	1N 4148			209	BZX 83 12V
3D5		209	1N 4148	11D2	8300058	217	SFD 184
3D6	8300222	209	ZPD2.7V 5%	11D3		215	1N 4148
		209	BZX 83 2.7V	11D4		209	1N 4148
3D7	8300028	209	ZPD 9.1V5%	11D5			
		209	BZX 79 9.1V	11D6			
		209	BZX 83 9.1V	11D8	8300023	209	1N 4002RL
3D8	8300275		B80C5000/ 3300	11D9	8300058	217	SFD 184
						215	1N 4148
						209	1N 4148
3D9	8300023	209	1N 4002RL	11D10	8300128	209	ZPD5.6V 5%
3D10						209	BZX 79 5.6V
						209	BZX 83 5.6V
3D11	8300313	209	ZPD 15V 2%	11D11	8300023	209	1N 4002RL
		209	BZX 79 15V				
			2%	11D14	8300058	217	SFD 184
		209	BZX 83 15V	11D15		215	1N 4148
			2%	11D16		209	1N 4148
				11D17			
				11D18			

11D19	8300023	209	1N 4002RL
11D20			
11D21			
11D22			
11D23	8300058	217	1SFD 184
		215	1N 4148
		209	1N 4148
11D24	8300053	209	ZPD 15 5%
		209	BZX 79 15V
		209	BZX 83 15V
11D100/200	8300058	217	SFD 184
		215	1N 4148
		209	1N 4148
13D1	8300023	209	1N 4002RL
13D2			
17D1	8300058	217	SFD 184
17D2		215	1N 4148
17D3		209	1N 4148
17D4			
17D5			
17D6			
17D7			
17D8			
18D1	8300023	209	1N 4002RL
18D2			
18D3	8300058	217	SFD 184
		215	1N 4148
		209	1N 4148
21D1	8300058	217	SFD 184
21D2		215	1N 4148
		209	1N 4148
21D3	8300309	209	ZPD 4.7 2%
		209	BZX 83 4.7V
			2%
		209	BZX 79 4.7V
			2%

21D4	8300058	217	SFD 184
21D5		215	1N 4148
21D6		209	1N 4148
21D7	8330010	220	CQY 73 N/K
21D8			
21D9			
21D10	8330009	220	CQY 41 N/N
21D11			
21D12	8300058	217	SFD 184
21D13		215	1N 4148
		209	1N 4148
21DP1	8330028		FCS 8499
21DP2	8330029		FNA 8399
22D1	8300058	217	SFD 184
22D2		215	1N 4148
22D3		209	1N 4148
22D4			
22D5			
22D6			
22D7			
23D1	8330009	220	CQY 41 N/N
23D2			
23D3	8300058	217	SFD 184
		215	1N 4148
		209	1N 4148
34D1	8330001		5075B
33D3	8300058	217	SFD 184
		215	1N 4148
		209	1N 4148

For Service Manuals Contact
MAURITRON TECHNICAL SERVICES
 8 Cherry Tree Rd, Chinnor
 Oxon OX9 4QY
 Tel:- 01844-351694 Fax:- 01844-352554
 Email:- enquiries@mauritron.co.uk

LIST OF ELECTRICAL PARTS

Front End Tuner, 8050071, PC1

OT1	8020341	Aerial transformer	
R1	5001050	47 kohms $\pm 10\%$ 1/2W	R8 5010067 560 ohms $\pm 5\%$ 1/8W
R2	5010141	27 kohms $\pm 5\%$ 1/8W	R9 5010411 47 ohms $\pm 5\%$ 1/8W
R3	5010041	5.6 kohms $\pm 5\%$ 1/8W	R10 5001038 4.7 kohms $\pm 10\%$ 1/2W
R4	5001062	330 kohms $\pm 10\%$ 1/2W	R11 5001062 330 kohms $\pm 10\%$ 1/2W
R5	5001050	47 kohms $\pm 10\%$ 1/2W	R12 5001013 100 ohms $\pm 10\%$ 1/2W
R6	5001013	100 kohms $\pm 10\%$ 1/2W	R13 5001013 100 ohms $\pm 10\%$ 1/2W
R7	5010076	3.3 kohms $\pm 5\%$ 1/8W	R14 5001040 6.8 kohms $\pm 10\%$ 1/2W
C1	4010008	1 nF -20+50% 400V	C12 4010008 1 nF -20+50% 400V
C2	4010008	1 nF -20+50% 400V	C13 4010008 1 nF -20+50% 400V
C3	4010008	1 nF -20+50% 400V	C14 4030059 22 pF $\pm 5\%$ 250V
C4	4003012	3.3 pF ± 0.25 pF 400V	C15 4010008 1 nF -20+50% 400V
C5	4330001	9 pF Cer	C16 4130091 10 nF $\pm 20\%$ 250V
C6	4010008	1 nF -20+50% 400V	C17 4330001 9 pF Cer
C7	4330001	9 pF Cer	C19 4000020 4.7 pF 63V
C8	4200107	10 μ F 10V	C20 4330001 9 pF Cer
C9	4010015	8.2 pF ± 0.25 pF 63V	C21 4101031 270 pF 5% 63V
C10	4003130	47 pF $\pm 2\%$ 63V	C22 4010008 1 nF -20+50% 400V
C11	4010008	1 nF -20+50% 400V	C23 4101007 220 pF 5% 63V
L1	8020121	RF (prim.)	L6 8020183 Osc.
L2	8020122	RF (Sec.)	L7 8020124 10.7 MHz
L3	6830052	3.8 μ H $\pm 5\%$	L8 8020137 10.7 MHz
L4	6830052	3.8 μ H $\pm 5\%$	L9 6830052 3.8 μ H $\pm 5\%$
L5	6710001	Ferrit tube 3x1.2x3.5 mm	L10 8020304 Aerial coil.
	6702001	Ferrit-core F100 (white)	
	6702008	Ferrit-core F10 (red)	
	6479001	Glassbushing	

FM, 8002354, PC2

R1	5010046	12 kohms $\pm 5\%$ 1/8W	R37 5010049 100 kohms $\pm 5\%$ 1/8W
R2	5010048	4.7 kohms $\pm 5\%$ 1/8W	R39 5010057 150 ohms $\pm 5\%$ 1/8W
R3	5010058	470 ohms $\pm 5\%$ 1/8W	R40 5010057 150 ohms $\pm 5\%$ 1/8W
R4	5010044	330 ohms $\pm 5\%$ 1/8W	R41 5010067 560 ohms $\pm 5\%$ 1/8W
R5	5010044	330 ohms $\pm 5\%$ 1/8W	R45 5010448 22 ohms $\pm 5\%$ 1/8W
R6	5010044	330 ohms $\pm 5\%$ 1/8W	R46 5010040 1 kohms $\pm 5\%$ 1/8W
R7	5010077	470 kohms $\pm 5\%$ 1/8W	R47 5010059 10 kohms $\pm 5\%$ 1/8W
R8	5010079	22 kohms $\pm 5\%$ 1/8W	R48 5370058 5 kohms $\pm 20\%$
R9	5010059	10 kohms $\pm 5\%$ 1/8W	R49 5370074 10 kohms $\pm 20\%$
R10	5010070	390 ohms $\pm 5\%$ 1/8W	R52 5010120 220 kohms $\pm 5\%$ 1/8W
R11	5010048	4.7 kohms $\pm 5\%$ 1/8W	R53 5010059 10 kohms $\pm 5\%$ 1/8W
R12	5010059	10 kohms $\pm 5\%$ 1/8W	R54 5010059 10 kohms $\pm 5\%$ 1/8W
R15	5010069	3.9 kohms $\pm 5\%$ 1/8W	R55 5010059 10 kohms $\pm 5\%$ 1/8W
R16	5010065	100 ohms $\pm 5\%$ 1/8W	R56 5010045 47 kohms $\pm 5\%$ 1/8W
R17	5010065	100 ohms $\pm 5\%$ 1/8W	R57 5010061 56 kohms $\pm 5\%$ 1/8W
R18	5370074	10 kohms $\pm 20\%$	R58 5010061 56 kohms $\pm 5\%$ 1/8W
R19	5010069	3.9 kohms $\pm 5\%$ 1/8W	R59 5010061 56 kohms $\pm 5\%$ 1/8W
R20	5010091	82 kohms $\pm 5\%$ 1/8W	R60 5010733 5.1 kohms $\pm 5\%$ 1/8W
R21	5370128	100 kohms $\pm 20\%$	R61 5010061 56 kohms $\pm 5\%$ 1/8W
R25	5010144	680 ohms $\pm 5\%$ 1/8W	R62 5010733 5.1 kohms $\pm 5\%$ 1/8W
R26	5010072	180 kohms $\pm 5\%$ 1/8W	R63 5370128 100 kohms $\pm 20\%$
R27	5370074	10 kohms $\pm 20\%$	R64 5010060 39 kohms $\pm 5\%$ 1/8W
R28	5010059	10 kohms $\pm 5\%$ 1/8W	R65 5370128 100 kohms $\pm 20\%$
R29	5010072	180 kohms $\pm 5\%$ 1/8W	R66 5010060 39 kohms $\pm 5\%$ 1/8W
R30	5010056	82 ohms $\pm 5\%$ 1/8W	R68 5010120 220 kohms $\pm 5\%$ 1/8W
R31	5010054	1 Mohms $\pm 5\%$ 1/8W	R69 5010049 100 kohms $\pm 5\%$ 1/8W
R32	5010045	47 kohms $\pm 5\%$ 1/8W	R70 5010054 1 Mohms $\pm 5\%$ 1/8W
R33	5010045	47 kohms $\pm 5\%$ 1/8W	R71 5010117 330 kohms $\pm 5\%$ 1/8W
R34	5010045	47 kohms $\pm 5\%$ 1/8W	R72 5010054 1 Mohms $\pm 5\%$ 1/8W
R35	5010045	47 kohms $\pm 5\%$ 1/8W	R73 5010120 220 kohms $\pm 5\%$ 1/8W
R36	5010049	100 kohms $\pm 5\%$ 1/8W	R74 5010049 100 kohms $\pm 5\%$ 1/8W
C2	4010060	22 nF -20+80% 40V	C15 4003128 100 pF $\pm 5\%$ 63V
C3	4010027	1 nF $\pm 20\%$ 100V	C16 4003125 33 pF $\pm 2\%$ 63V
C4	4130110	33 nF $\pm 20\%$ 250V	C21 4201061 4.7 μ F 63V
C5	4010041	100 nF -20+80% 40V	C22 4201061 4.7 μ F 63V
C6	4010060	22 nF -20+80% 40V	C23 4130104 220 nF $\pm 20\%$ 100V
C7	4010060	22 nF -20+80% 40V	C25 4130114 470 nF $\pm 10\%$ 100V
C8	4130078	47 nF $\pm 20\%$ 250V	C26 4130104 220 nF $\pm 20\%$ 100V
C9	4130150	100 nF $\pm 20\%$ 100V	C27 4101007 220 pF $\pm 5\%$ 63V
C12	4010041	10 nF -20+80% 40V	C28 4200099 100 μ F 16V
C13	4003125	33 pF $\pm 2\%$ 63V	C29 4200298 1 μ F 63V
C14	4000094	150 pF $\pm 5\%$ 63V	C30 4130050 68 nF 250V

C31	4130104	220 nF ±20% 100V	C39	4101019	1 nF ±5% 63V
C32	4010126	4.7 nF ±5% 63V	C40	4101019	1 nF ±5% 63V
C33	4010126	4.7 nF ±5% 63V	C41	4100081	2.15 nF ±2.5% 63V
C35	4200101	10µF ±16V	C42	4100081	2.15 nF ±2.5% 63V
C36	4201061	4.7µF ±63V	C43	4100081	2.15 nF ±2.5% 63V
C37	4201035	2.2µF -10+50% 63V	C44	4100081	2.15 nF ±2.5% 63V
C38	4201035	2.2µF -10+50% 63V			

L1	8020318	1.47µH	BP1	8030012	10.7 MHz
L2	8022100	31 mH	BP2	8030012	10.7 MHz
L3	8022100	31 mH			
	6702045	Ferrit-core F10			

P8	7220117	Plug 12/11 pins	3304019	Screen/housing
----	---------	-----------------	---------	----------------

**Power Supply and Output Ampl.
8002358, PC3**

R1	5010040	1 kohms ±5% 1/8W	R203	5010067	560 ohms ±5% 1/8W
R2	5010070	390 ohms ±5% 1/8W	R204	5010403	27 ohms ±5% 1/8W
R3	5010000	270 ohms ±5% 1/8W	R205	5010100	270 ohms ±5% 1/8W
R4	5010144	680 ohms ±5% 1/8W	R206	5010797	390 ohms ±2% 1/8W
R5	5010040	1 kohms ±5% 1/8W	R207	5010059	10 kohms ±5% 1/8W
R6	5010059	10 kohms ±5% 1/8W	R208	5010776	10 kohms ±2% 1/8W
R8	5001020	270 ohms ±10% 1/2W	R209	5010053	15 kohms ±5% 1/8W
R9	5010019	220 ohms ±10% 1/2W	R210	5010036	3.3 kohms ±10% 1/2W
R11	5010058	470 ohms ±5% 1/8W	R211	5010000	270 ohms ±5% 1/8W
R12	5370174	250 ohms ±20%	R212	5010611	150 ohms ±5% 1/8W
R14	5010040	1 kohms ±5% 1/8W	R213	5010039	68 ohms ±5% 1/8W
R15	5010049	100 kohms ±5% 1/8W	R214	5010053	15 kohms ±5% 1/8W
R16	5010040	1 kohms ±5% 1/8W	R215	5010039	68 ohms ±5% 1/8W
R17	5010064	2.2 kohms ±5% 1/8W	R216	5010041	8.2 kohms ±10% 1/2W
R19	5010049	100 kohms ±5% 1/8W	R217	5010041	8.2 kohms ±10% 1/2W
R20	5010135	2.7 kohms ±10% 1/2W	R218	5010144	680 ohms ±5% 1/8W
R22	5010060	39 kohms ±5% 1/8W	R219	5010000	270 ohms ±5% 1/8W
R23	5010052	6.8 kohms ±5% 1/8W	R220	5010000	270 ohms ±5% 1/8W
R25	5010506	10 ohms ±5% 1/8W	R221	5010065	100 ohms ±5% 1/8W
R26	5010506	10 ohms ±5% 1/8W	R222	5010411	470 ohms ±5% 1/8W
R27	5002028	2.2 kohms ±10% 1W	R223	5010000	270 ohms ±5% 1/8W
R28	5010766	10 kohms ±2% 1/8W	R224	5370174	250 ohms ±20%
R29	5010766	10 kohms ±2% 1/8W	R225	5010065	100 ohms ±5% 1/8W
R30	5010069	3.9 kohms ±5% 1/8W	R226	5100166	0.39 ohms ±10% 2W
R31	5010076	3.3 kohms ±5% 1/8W	R227	5100166	0.39 ohms ±10% 2W
R32	5010047	120 kohms ±5% 1/8W	R230	5010175	33 kohms ±5% 1/8W
R33	5010059	10 kohms ±5% 1/8W	R231	5000085	4.7 ohms ±10% 1/2W
R34	5010060	39 kohms ±5% 1/8W	R232	5001076	3.9 Mohms ±10% 1/2W
R35	5010059	10 kohms ±5% 1/8W	R233	5010047	120 kohms ±5% 1/8W
R200	5010766	10 kohms ±2% 1/8W	R234	5010059	10 kohms ±5% 1/8W
R201	5010048	4.7 kohms ±5% 1/8W	R235	5001019	220 ohms ±10% 1/2W
R202	5010766	10 kohms ±2% 1/8W	R236	5010798	39 kohms ±2% 1/8W

For Service Manuals Contact
MAURITRON TECHNICAL SERVICES
8 Cherry Tree Rd, Chinnor
Oxon OX9 4QY
Tel:- 01844-351694 Fax:- 01844-352554
Email:- enquiries@mauritron.co.uk

C1	4130150	100 nF ±20% 100V	C19	4000077	47 pF ±2% 63V
C2	4130150	100 nF ±20% 100V	C20	4010063	4.7 nF ±10% 63V
C3	4130150	100 nF ±20% 100V	C200	4201060	100µF 40V
C4	4200402	5000 µF 35V	C201	4130087	47 nF ±10% 250V
C5	4010060	22 nF -20+80% 40V	C202	4010029	180 pF ±10% 100V
C6	4200101	10µF ±20% 16V	C203	4000077	47 pF ±2% 63V
C7	4200230	15µF ±20% 16V	C204	4000016	10 pF ±2%
C10	4130150	100 nF ±20% 100V	C205	4200098	100 µF 10V
C11	4130150	100 nF ±20% 100V	C206	4010063	4.7 nF ±10% 63V
C12	4130106	330 nF ±20% 100V	C207	4130114	470 nF ±10% 100V
C13	4130106	330 nF ±20% 100V	C208	4010063	4.7 nF ±10% 63V
C14	4130106	330 nF ±20% 100V	C209	4130104	220 nF ±20% 100V
C15	4200415	47µF -10+100% 40V	C210	4130104	220 nF ±20% 100V
C16	4200368	100µF 63V	C211	4130104	220 nF ±20% 100V
C17	4200402	5000µF 35V	C212	4200411	47µF -10+100% 6.3V
C18	4200402	5000µF 35V	C213	4010060	22 nF -20+80% 40V

F1	6600010	4A-T 250V S IEC 127	P9	7220195	Plug 2/2 pins
F2	6600006	1A-T 250V S IEC 127	P10	7220196	Plug 4/3 pins
			P11	7220142	Plug 19/18 pins

L200	6850114	0.5µH	RL1	7600040
	7500013	Contact pin		

Power Supply, 8002413, PC4

R1 5010468 15 ohms $\pm 5\%$ 1/8W

C1 4200100 22 μ F 40V
 C2 4010063 4.7 nF $\pm 10\%$ 63V
 C3 4130171 330 nF $\pm 20\%$ 63V

Vol. and Tone Control, 8002356, PC5

R1	5010075	33 kohms $\pm 5\%$ 1/8W	R61	5010160	39 kohms $\pm 5\%$ 1/8W
R2	5010077	470 kohms $\pm 5\%$ 1/8W	R62	5010060	39 kohms $\pm 5\%$ 1/8W
R3	5010075	33 kohms $\pm 5\%$ 1/8W	R63	5010060	39 kohms $\pm 5\%$ 1/8W
R4	5010077	470 kohms $\pm 5\%$ 1/8W	R64	5010060	39 kohms $\pm 5\%$ 1/8W
R5	5010075	33 kohms $\pm 5\%$ 1/8W	R65	5010046	12 kohms $\pm 5\%$ 1/8W
R6	5010077	470 kohms $\pm 5\%$ 1/8W	R66	5010046	12 kohms $\pm 5\%$ 1/8W
R7	5010075	33 kohms $\pm 5\%$ 1/8W	R67	5010061	56 kohms $\pm 5\%$ 1/8W
R8	5010077	470 kohms $\pm 5\%$ 1/8W	R68	5010061	56 kohms $\pm 5\%$ 1/8W
R9	5010120	220 kohms $\pm 5\%$ 1/8W	R69	5010046	12 kohms $\pm 5\%$ 1/8W
R10	5010063	150 kohms $\pm 5\%$ 1/8W	R70	5010046	12 kohms $\pm 5\%$ 1/8W
R11	5010075	33 kohms $\pm 5\%$ 1/8W	R72	5010040	1 kohms $\pm 5\%$ 1/8W
R12	5010077	470 kohms $\pm 5\%$ 1/8W	R73	5010040	1 kohms $\pm 5\%$ 1/8W
R13	5010075	33 kohms $\pm 5\%$ 1/8W	R74	5010247	1.5 kohms $\pm 5\%$ 1/8W
R14	5010077	470 kohms $\pm 5\%$ 1/8W	R75	5010247	1.5 kohms $\pm 5\%$ 1/8W
R30	5010059	10 kohms $\pm 5\%$ 1/8W	R76	5010041	27 kohms $\pm 5\%$ 1/8W
R31	5010059	10 kohms $\pm 5\%$ 1/8W	R77	5010076	3.3 kohms $\pm 5\%$ 1/8W
R32	5010091	82 kohms $\pm 5\%$ 1/8W	R78	5020074	15 kohms $\pm 1\%$ 1/8W
R33	5010091	82 kohms $\pm 5\%$ 1/8W	R79	5020144	30.1 kohms $\pm 1\%$ 1/8W
R34	5010059	10 kohms $\pm 5\%$ 1/8W	R80	5020097	60.4 kohms $\pm 1\%$ 1/8W
R35	5010075	33 kohms $\pm 5\%$ 1/8W	R81	5010047	120 kohms $\pm 5\%$ 1/8W
R36	5010075	33 kohms $\pm 5\%$ 1/8W	R82	5010079	22 kohms $\pm 5\%$ 1/8W
R37	5010060	39 kohms $\pm 5\%$ 1/8W	R83	5010059	10 kohms $\pm 5\%$ 1/8W
R38	5370074	10 kohms $\pm 20\%$	R84	5010615	100 kohms $\pm 5\%$ 1/8W
R39	5010135	18 kohms $\pm 5\%$ 1/8W	R85	5010615	100 kohms $\pm 5\%$ 1/8W
R40	5010060	39 kohms $\pm 5\%$ 1/8W	R86	5010253	33 ohms $\pm 5\%$ 1/8W
R41	5370074	10 kohms $\pm 20\%$	R87	5010053	15 kohms $\pm 5\%$ 1/8W
R42	5010135	18 kohms $\pm 5\%$ 1/8W	R90	5010059	10 kohms $\pm 5\%$ 1/8W
R43	5010060	39 kohms $\pm 5\%$ 1/8W	R91	5010052	6.8 kohms $\pm 5\%$ 1/8W
R44	5010058	470 ohms $\pm 5\%$ 1/8W	R92	5010091	82 kohms $\pm 5\%$ 1/8W
R45	5010058	470 ohms $\pm 5\%$ 1/8W	R93	5010059	10 kohms $\pm 5\%$ 1/8W
R46	5010060	39 kohms $\pm 5\%$ 1/8W	R94	5010091	82 kohms $\pm 5\%$ 1/8W
R47	5010040	1 kohms $\pm 5\%$ 1/8W	R95	5010045	47 kohms $\pm 5\%$ 1/8W
R48	5010040	1 kohms $\pm 5\%$ 1/8W	R96	5010091	82 kohms $\pm 5\%$ 1/8W
R49	5010059	10 kohms $\pm 5\%$ 1/8W	R97	5010059	10 kohms $\pm 5\%$ 1/8W
R50	5010059	10 kohms $\pm 5\%$ 1/8W	R98	5010059	10 kohms $\pm 5\%$ 1/8W
R51	5010253	33 ohms $\pm 5\%$ 1/8W	R99	5010091	82 kohms $\pm 5\%$ 1/8W
R52	5010053	15 kohms $\pm 5\%$ 1/8W	R100	5010045	47 kohms $\pm 5\%$ 1/8W
R53	5010060	39 kohms $\pm 5\%$ 1/8W	R101	5010091	82 kohms $\pm 5\%$ 1/8W
R54	5010060	39 kohms $\pm 5\%$ 1/8W	R102	5010059	10 kohms $\pm 5\%$ 1/8W
R55	5010154	8.2 kohms $\pm 5\%$ 1/8W	R103	5010091	82 kohms $\pm 5\%$ 1/8W
R56	5010154	8.2 kohms $\pm 5\%$ 1/8W	R104	5010059	10 kohms $\pm 5\%$ 1/8W
R57	5010060	39 kohms $\pm 5\%$ 1/8W	R105	5010052	6.8 kohms $\pm 5\%$ 1/8W
R58	5010060	39 kohms $\pm 5\%$ 1/8W	R106	5010040	1 kohms $\pm 5\%$ 1/8W
R59	5010154	8.2 kohms $\pm 5\%$ 1/8W	R107	5010040	1 kohms $\pm 5\%$ 1/8W
R60	5010154	8.2 kohms $\pm 5\%$ 1/8W			

C1	4130150	100 nF $\pm 20\%$ 100V	C31	4200107	10 μ F $\pm 20\%$ 100V
C2	4130150	100 nF $\pm 20\%$ 100V	C32	4200342	10 μ F -10+50% 63V
C3	4130150	100 nF $\pm 20\%$ 100V	C33	4200342	10 μ F -10+50% 63V
C4	4130150	100 nF $\pm 20\%$ 100V	C35	4010067	1.5 nF $\pm 10\%$ 63V
C5	4010063	4.7 nF $\pm 10\%$ 63V	C36	4010067	1.5 nF $\pm 10\%$ 63V
C6	4130150	100 nF $\pm 20\%$ 100V	C37	4010067	1.5 nF $\pm 10\%$ 63V
C7	4130150	100 nF $\pm 20\%$ 100V	C38	4010067	1.5 nF $\pm 10\%$ 63V
C8	4200403	100 μ F $\pm 25\%$	C39	4200342	10 μ F -10+50% 63V
C9	4003128	100 pF $\pm 5\%$ 63V	C40	4130088	33 nF $\pm 10\%$ 250V
C10	4003128	100 pF $\pm 5\%$ 63V	C41	4200342	10 μ F -10+50% 63V
C11	4003128	100 pF $\pm 5\%$ 63V	C42	4130088	33 nF $\pm 10\%$ 250V
C12	4003128	100 pF $\pm 5\%$ 63V	C43	4200092	47 μ F 16V
C13	4010062	330 pF $\pm 10\%$ 100V	C44	4200092	47 μ F 16V
C14	4003128	100 pF $\pm 5\%$ 63V	C45	4200092	47 μ F 16V
C15	4003128	100 pF $\pm 5\%$ 63V	C46	4200403	100 μ F 25V
C25	4200342	10 μ F -10+50% 63V	C47	4200342	10 μ F -10+50% 63V
C26	4200342	10 μ F -10+50% 63V	C48	4200342	10 μ F -10+50% 63V
C27	4200403	100 μ F 25V	C49	4010067	1.5 nF $\pm 10\%$ 63V
C28	4200092	47 μ F 16V	C50	4130088	33 nF $\pm 10\%$ 250V
C29	4200092	47 μ F 16V	C51	4010067	1.5 nF $\pm 10\%$ 63V
C30	4200092	47 μ F 16V	C52	4130088	33 nF $\pm 10\%$ 250V

P12	7220122	Plug 4/3 pins	P14	7220140	Plug 16/15 pins
P13	7220117	Plug 12/11 pins	P15	7220151	Plug 15/14 pins
	7400195	Switch (Loudn.)			

Remote, 8002444, PC6

R30	5010058	470 ohms $\pm 5\%$ 1/8W	R34	5010075	33 kohms $\pm 5\%$ 1/8W
R31	5010120	220 kohms $\pm 5\%$ 1/8W	R35	5010075	33 kohms $\pm 5\%$ 1/8W
R32	5010120	220 kohms $\pm 5\%$ 1/8W	R36	5010070	390 ohms $\pm 5\%$ 1/8W
R33	5010092	220 ohms $\pm 5\%$ 1/8W	R37	5010154	8.2 kohms $\pm 5\%$ 1/8W

C18	4201069	22 μ F $\pm 20\%$ 35V	P25	7220166	Plug 3/3 pins
C19	4200420	2.2 μ F -10+50% 63V	P26	7220193	Plug 9/9 pins
C20	4200420	2.2 μ F -10+50% 63V			

7210159	Socket 5 pol.
7210205	Socket Jack

Tape, 8004210, PC11

R1	5010049	100 kohms $\pm 5\%$ 1/8W	R54	5010040	1 kohms $\pm 5\%$ 1/8W
R3	5010040	1 kohms $\pm 5\%$ 1/8W	R55	5010049	100 kohms $\pm 5\%$ 1/8W
R4	5010154	8.2 kohms $\pm 5\%$ 1/8W	R56	5010092	220 ohms $\pm 5\%$ 1/8W
R5	5010040	1 kohms $\pm 5\%$ 1/8W	R57	5001032	1.5 kohms $\pm 10\%$ 1/2W
R6	5010073	390 kohms $\pm 5\%$ 1/8W	R58	5001032	1.5 kohms $\pm 10\%$ 1/2W
R8	5010072	180 kohms $\pm 5\%$ 1/8W	R59	5010151	56 ohms $\pm 5\%$ 1/8W
R9	5010049	100 kohms $\pm 5\%$ 1/8W	R60	5010057	150 ohms $\pm 5\%$ 1/8W
R10	5370156	250 kohms $\pm 20\%$	R61	5010742	47 ohms $\pm 5\%$ 1/8W
R11	5370128	100 kohms $\pm 20\%$	R62	5010742	47 ohms $\pm 5\%$ 1/8W
R12	5010120	220 kohms $\pm 5\%$ 1/8W	R201	5010054	1 Mohms $\pm 5\%$ 1/8W
R13	5010040	1 kohms $\pm 5\%$ 1/8W	R202	5010151	56 ohms $\pm 5\%$ 1/8W
R14	5010506	10 ohms $\pm 5\%$ 1/8W	R203	5010052	6.8 kohms $\pm 5\%$ 1/8W
R15	5010059	10 kohms $\pm 5\%$ 1/8W	R204	5010040	1 kohms $\pm 5\%$ 1/8W
R16	5010054	1 Mohms $\pm 5\%$ 1/8W	R205	5010151	56 ohms $\pm 5\%$ 1/8W
R17	5010059	10 kohms $\pm 5\%$ 1/8W	R206	5010056	82 ohms $\pm 5\%$ 1/8W
R18	5010044	330 ohms $\pm 5\%$ 1/8W	R207	5010048	4.7 kohms $\pm 5\%$ 1/8W
R19	5010044	330 ohms $\pm 5\%$ 1/8W	R208	5010041	5.6 kohms $\pm 5\%$ 1/8W
R20	5010141	27 kohms $\pm 5\%$ 1/8W	R209	5010047	120 kohms $\pm 5\%$ 1/8W
R21	5010079	22 kohms $\pm 5\%$ 1/8W	R210	5010062	68 kohms $\pm 5\%$ 1/8W
R25	5010049	100 kohms $\pm 5\%$ 1/8W	R211	5010064	2.2 kohms $\pm 5\%$ 1/8W
R26	5010069	3.9 kohms $\pm 5\%$ 1/8W	R212	5010076	3.3 kohms $\pm 5\%$ 1/8W
R27	5010053	15 kohms $\pm 5\%$ 1/8W	R215	5010047	120 kohms $\pm 5\%$ 1/8W
R28	5010053	15 kohms $\pm 5\%$ 1/8W	R216	5010069	3.9 kohms $\pm 5\%$ 1/8W
R29	5010000	270 ohms $\pm 5\%$ 1/8W	R217	5010048	4.7 kohms $\pm 5\%$ 1/8W
R30	5010298	2.7 kohms $\pm 5\%$ 1/8W	R218	5010059	10 kohms $\pm 5\%$ 1/8W
R31	5010054	1 Mohms $\pm 5\%$ 1/8W	R219	5370061	50 kohms $\pm 20\%$
R32	5010062	68 kohms $\pm 5\%$ 1/8W	R220	5010059	10 kohms $\pm 5\%$ 1/8W
R33	5010049	100 kohms $\pm 5\%$ 1/8W	R225	5010265	3.3 kohms $\pm 2\%$ 1/4W
R34	5010053	15 kohms $\pm 5\%$ 1/8W	R226	5010362	180 ohms $\pm 5\%$ 1/8W
R35	5010040	1 kohms $\pm 5\%$ 1/8W	R227	5010048	4.7 kohms $\pm 5\%$ 1/8W
R36	5010054	1 Mohms $\pm 5\%$ 1/8W	R228	5010083	270 kohms $\pm 5\%$ 1/8W
R37	5010298	2.7 kohms $\pm 5\%$ 1/8W	R229	5010071	560 kohms $\pm 5\%$ 1/8W
R38	5010054	1 Mohms $\pm 5\%$ 1/8W	R230	5010083	270 kohms $\pm 5\%$ 1/8W
R39	5010041	5.6 kohms $\pm 5\%$ 1/8W	R235	5010052	6.8 kohms $\pm 5\%$ 1/8W
R40	5010041	5.6 kohms $\pm 5\%$ 1/8W	R236	5010141	27 kohms $\pm 5\%$ 1/8W
R41	5010298	2.7 kohms $\pm 5\%$ 1/8W	R237	5010064	2.2 kohms $\pm 5\%$ 1/8W
R42	5010041	5.6 kohms $\pm 5\%$ 1/8W	R238	5010064	2.2 kohms $\pm 5\%$ 1/8W
R43	5010064	2.2 kohms $\pm 5\%$ 1/8W	R239	5010153	1.2 kohms $\pm 5\%$ 1/8W
R44	5010057	150 ohms $\pm 5\%$ 1/8W	R240	5010065	100 ohms $\pm 5\%$ 1/8W
R45	5010040	1 kohms $\pm 5\%$ 1/8W	R241	5010053	15 kohms $\pm 5\%$ 1/8W
R46	5010041	5.6 kohms $\pm 5\%$ 1/8W	R243	5010045	47 kohms $\pm 5\%$ 1/8W
R47	5010041	5.6 kohms $\pm 5\%$ 1/8W	R244	5010247	1.5 kohms $\pm 5\%$ 1/8W
R48	5010298	2.7 kohms $\pm 5\%$ 1/8W	R245	5020095	13.3 kohms $\pm 5\%$ 1/8W
R49	5010049	100 kohms $\pm 5\%$ 1/8W	R246	5010064	2.2 kohms $\pm 5\%$ 1/8W
R50	5010054	1 Mohms $\pm 5\%$ 1/8W	R247	5370173	25 kohms $\pm 20\%$
R51	5010245	2.2 Mohms $\pm 5\%$ 1/8W	R249	5010135	18 kohms $\pm 5\%$ 1/8W
R52	5010064	2.2 kohms $\pm 5\%$ 1/8W	R250	5010075	33 kohms $\pm 5\%$ 1/8W
R53	5010057	150 ohms $\pm 5\%$ 1/8W	R251	5010117	330 kohms $\pm 5\%$ 1/8W

C1	4130106	330 nF $\pm 20\%$ 100V	C10	4130144	470 nF $\pm 10\%$ 100V
C3	4340003	65 pF	C11	4201061	4.7 μ F 63V
C5	4340003	65 pF	C12	4200097	220 μ F 16V
C6	4100141	2.7 nF $\pm 5\%$ 630V	C13	4030015	47 nF -20+80% 16V
C7	4010041	10 nF -20+80% 40V	C15	4201065	10 μ F 63V
C8	4130110	33 nF $\pm 20\%$ 250V	C16	4130087	47 nF $\pm 10\%$ 250V
C9	4130114	470 nF $\pm 10\%$ 100V	C17	4200108	4.7 μ F $\pm 20\%$ 25V

For Service Manuals Contact
MAURITRON TECHNICAL SERVICES
 8 Cherry Tree Rd, Chinnor
 Oxon OX9 4QY
 Tel:- 01844-351694 Fax:- 01844-352554
 Email:- enquiries@mauritron.co.uk

C18	4200299	220µF 40V	C213	4130166	27 nF ±5% 250V
C19	4030015	47 nF -20+80% 16V	C214	4010027	1 nF ±10% 100V
C22	4010027	1 nF ±10% 100V	C215	4100049	56 nF ±1% 63V
C23	4010027	1 nF ±10% 100V	C216	4200342	10µF -10+50% 63V
C24	4010027	1 nF ±10% 100V	C217	4100059	4.7 nF ±2.5% 63V
C200	4010021	220 pF ±10% 100V	C218	4200342	10µF -10+50% 63V
C201	4130107	100 nF ±10% 250V	C219	4130087	47 nF ±10% 250V
C202	4200097	220µF 16V	C220	4201061	10µF ±2.5% 63V
C203	4130089	22 nF ±10% 250V	C221	4130107	100 nF ±10% 250V
C205	4201035	2.2µF -10+50% 63V	C222	4130106	330 nF ±20% 100V
C206	4130109	10 nF ±10% 250V	C225	4200322	4.7µF -10+50% 63V
C207	4201035	2.2µF -10+50% 63V	C226	4130107	100 nF ±10% 250V
C210	4100059	4.7 nF ±2.5% 63V	C227	4130104	220 nF ±20% 100V
C211	4101019	1 nF ±5% 63V	C228	4130166	27 nF ±5% 250V
C212	4100076	2.7 nF ±2.5% 630V	C232	4010021	220 pF ±10% 100V

L1	8020338	OSC	L202	8022059	2.7 mH
L200	8022102	24 mH	L203	8022111	10 mH
L201	8022103	37 mH			

RL1	7600050	Relay 6V	RL2	7600050	Relay 6V
-----	---------	----------	-----	---------	----------

P1	7220139	Plug 11/10 pins	7500053	Contact pin
P2	7220183	Plug 17/16 pins	3304050	Screen/housing
P3	7220197	Plug 21/20 pins	3358137	Køleplade
P4	7220122	Plug 4/3 pins	0593070	Solde tag
P5	7220128	Plug 6/5 pins		
P43	7220122	Plug 4/3 pins		

Phone, 8005038, PC17

R1	5011044	10 kohms ±5% 1/4W	R21	5010141	27 kohms ±5% 1/8W
R2	5010071	560 kohms ±5% 1/8W	R22	5370068	25 kohms ±20%
R3	5010071	560 kohms ±5% 1/8W	R23	5010060	39 kohms ±5% 1/8W
R4	5010049	100 kohms ±5% 1/8W	R24	5010045	47 kohms ±5% 1/8W
R5	5010071	560 kohms ±5% 1/8W	R25	5010153	1.2 kohms ±5% 1/8W
R6	5010054	1 Mohms ±5% 1/8W	R26	5010777	22 ohms ±10% 0.7W
R7	5010059	10 kohms ±5% 1/8W	R27	5010045	47 kohms ±5% 1/8W
R8	5010071	560 kohms ±5% 1/8W	R201	5010092	220 ohms ±5% 1/8W
R9	5010063	150 kohms ±5% 1/8W	R202	5010045	47 kohms ±5% 1/8W
R10	5010063	150 kohms ±5% 1/8W	R203	5010044	330 ohms ±5% 1/8W
R11	5010049	100 kohms ±5% 1/8W	R204	5010083	270 kohms ±5% 1/8W
R12	5010059	10 kohms ±5% 1/8W	R205	5010047	120 kohms ±5% 1/8W
R13	5010431	2.7 Mohms ±5% 1/8W	R206	5010066	1.8 kohms ±5% 1/8W
R14	5010431	2.7 Mohms ±5% 1/8W	R207	5010092	220 ohms ±5% 1/8W
R15	5010059	10 kohms ±5% 1/8W	R208	5010048	4.7 kohms ±5% 1/8W
R17	5010054	1 Mohms ±5% 1/8W	R209	5010058	470 ohms ±5% 1/8W
R18	5010091	82 kohms ±5% 1/8W	R210	5010120	220 kohms ±5% 1/8W
R19	5020139	12.1 kohms ±1% 1/8W	R211	5020019	36.5 kohms ±5% 1/8W
R20	5370173	2.5 kohms ±20%			

C1	4011022	4.7 nF -20+80% 40V	C15	4200322	4.7µF -10+50% 63V
C2	4011022	4.7 nF -20+80% 40V	C16	4130103	100 nF ±20% 250V
C3	4130114	470 nF ±10% 100V	C17	4130078	47 nF ±20% 250V
C4	4201057	1µF 35V	C18	4011022	4.7 nF -20+80% 40V
C5	4130103	100 nF ±20% 250V	C19	4201074	47µF 40V
C8	4201058	0.47µF 35V	C200	4201069	2.2µF ±20% 35V
C9	4100098	68 nF ±2.5% 63V	C201	4130100	68 nF ±10% 250V
C10	4110027	1 nF ±10% 100V	C202	4000029	220 pF ±5% 63V
C11	4200432	10µF -10+50% 63V	C203	4000019	68 pF ±5% 63V
C12	4201057	1µF 35V	C204	4010065	2.7 nF ±10% 63V
C13	4010060	22 nF -20+80% 40V	C205	4130109	10 nF ±10% 250V
C14	4010060	22 nF -20+80% 40V			

P17	7220131	Plug 4/3 pins	RL1	6810007	Reed-relay coil
P18	7220182	Plug 10/9 pins	7500013	Contact pin	
P19	7220130	Plug 8/7 pins			
P20	7220181	Plug 7/6 pins			
P21	7220160	Plug 5/4 pins			
P22	7220195	Plug 2/2 pins			

Phono Keyboard,
8005047, PC18

R1	5010059	10 kohms ±5% 1/8W	P22	7220129	Plug 2/2 pins
----	---------	-------------------	-----	---------	---------------

**Microcomputer and Display,
802442, PC21**

R1	5010053	1.2 kohms $\pm 5\%$ 1/8W	R45	5010067	560 ohms $\pm 5\%$ 1/8W
R2	5010053	1.2 kohms $\pm 5\%$ 1/8W	R50	5010044	330 ohms $\pm 5\%$ 1/8W
R3	5010053	1.2 kohms $\pm 5\%$ 1/8W	R51	5010253	33 ohms $\pm 5\%$ 1/8W
R4	5010053	1.2 kohms $\pm 5\%$ 1/8W	R52	5010048	4.7 kohms $\pm 5\%$ 1/8W
R5	5010053	1.2 kohms $\pm 5\%$ 1/8W	R53	5010048	4.7 kohms $\pm 5\%$ 1/8W
R6	5010058	470 ohms $\pm 5\%$ 1/8W	R54	5010076	3.3 kohms $\pm 5\%$ 1/8W
R7	5010044	330 ohms $\pm 5\%$ 1/8W	R55	5010076	3.3 kohms $\pm 5\%$ 1/8W
R8	5010058	470 ohms $\pm 5\%$ 1/8W	R56	5010059	10 kohms $\pm 5\%$ 1/8W
R9	5010044	330 ohms $\pm 5\%$ 1/8W	R57	5010059	10 kohms $\pm 5\%$ 1/8W
R10	5010058	470 ohms $\pm 5\%$ 1/8W	R59	5010049	100 kohms $\pm 5\%$ 1/8W
R11	5010044	330 ohms $\pm 5\%$ 1/8W	R60	5010362	180 ohms $\pm 5\%$ 1/8W
R12	5010058	470 ohms $\pm 5\%$ 1/8W	R61	5010362	180 ohms $\pm 5\%$ 1/8W
R13	5010044	330 ohms $\pm 5\%$ 1/8W	R62	5010362	180 ohms $\pm 5\%$ 1/8W
R14	5010058	470 ohms $\pm 5\%$ 1/8W	R63	5010362	180 ohms $\pm 5\%$ 1/8W
R15	5010044	330 ohms $\pm 5\%$ 1/8W	R64	5010362	180 ohms $\pm 5\%$ 1/8W
R16	5010070	390 ohms $\pm 5\%$ 1/8W	R65	5010758	1.8 kohms $\pm 2\%$ 1/8W
R17	5010048	4.7 kohms $\pm 5\%$ 1/8W	R66	5010758	1.8 kohms $\pm 2\%$ 1/8W
R18	5010048	4.7 kohms $\pm 5\%$ 1/8W	R69	5010065	100 ohms $\pm 5\%$ 1/8W
R19	5010048	4.7 kohms $\pm 5\%$ 1/8W	R70	5010040	1 kohms $\pm 5\%$ 1/8W
R24	5010059	10 kohms $\pm 5\%$ 1/8W	R71	5010040	1 kohms $\pm 5\%$ 1/8W
R25	5010058	470 ohms $\pm 5\%$ 1/8W	R72	5010040	1 kohms $\pm 5\%$ 1/8W
R26	5010058	470 ohms $\pm 5\%$ 1/8W	R73	5010040	1 kohms $\pm 5\%$ 1/8W
R27	5010058	470 ohms $\pm 5\%$ 1/8W	R74	5010040	1 kohms $\pm 5\%$ 1/8W
R28	5010058	470 ohms $\pm 5\%$ 1/8W	R75	5010049	100 kohms $\pm 5\%$ 1/8W
R29	5010058	470 ohms $\pm 5\%$ 1/8W	R76	5010059	10 kohms $\pm 5\%$ 1/8W
R30	5010058	470 ohms $\pm 5\%$ 1/8W	R77	5010079	22 kohms $\pm 5\%$ 1/8W
R31	5010058	470 ohms $\pm 5\%$ 1/8W	R78	5010040	1 kohms $\pm 5\%$ 1/8W
R32	5010077	470 kohms $\pm 5\%$ 1/8W	R80	5010040	1 kohms $\pm 5\%$ 1/8W
R33	5010077	470 kohms $\pm 5\%$ 1/8W	R81	5010040	1 kohms $\pm 5\%$ 1/8W
R34	5010065	100 ohms $\pm 5\%$ 1/8W	R82	5010040	1 kohms $\pm 5\%$ 1/8W
R35	5010065	100 ohms $\pm 5\%$ 1/8W	R83	5010040	1 kohms $\pm 5\%$ 1/8W
R36	5010065	100 ohms $\pm 5\%$ 1/8W	R84	5010040	1 kohms $\pm 5\%$ 1/8W
R37	5010065	100 ohms $\pm 5\%$ 1/8W	R85	5010040	1 kohms $\pm 5\%$ 1/8W
R38	5010065	100 ohms $\pm 5\%$ 1/8W	R86	5010040	1 kohms $\pm 5\%$ 1/8W
R39	5010065	100 ohms $\pm 5\%$ 1/8W	R87	5010040	1 kohms $\pm 5\%$ 1/8W
R40	5010065	100 ohms $\pm 5\%$ 1/8W	R88	5010040	1 kohms $\pm 5\%$ 1/8W
R41	5010065	100 ohms $\pm 5\%$ 1/8W	R89	5010247	1.5 kohms $\pm 5\%$ 1/8W
R42	5010056	82 ohms $\pm 5\%$ 1/8W	R90	5010298	2.7 kohms $\pm 5\%$ 1/8W
R43	5010067	560 ohms $\pm 5\%$ 1/8W	R91	5010069	3.9 kohms $\pm 5\%$ 1/8W
R44	5010067	560 ohms $\pm 5\%$ 1/8W	R92	5010079	32 kohms $\pm 5\%$ 1/8W

For Service Manuals Contact
MAURITRON TECHNICAL SERVICES
 8 Cherry Tree Rd, Chinnor
 Oxon OX9 4QY
 Tel: 01844-351694 Fax: 01844-352554
 Email: enquiries@mauratron.co.uk

C1	4010083	10 nF -20+80% 40V	C26	4010031	680 pF $\pm 10\%$ 100V
C2	4010083	10 nF -20+80% 40V	C27	4010031	680 pF $\pm 10\%$ 100V
C3	4010083	10 nF -20+80% 40V	C28	4010060	22 nF -20+80% 40V
C4	4010083	10 nF -20+80% 40V	C29	4010060	22 nF -20+80% 40V
C5	4010083	10 nF -20+80% 40V	C32	4000020	4.7 pF ± 0.25 pF
C6	4010041	10 nF -20+80% 40V	C33	4000026	22 pF $\pm 2\%$ 63V
C7	4130171	330 nF $\pm 20\%$ 63V	C34	4210069	2.2 μ F $\pm 20\%$ 35V
C8	4200097	220 μ F 16V	C35	4010060	22 nF -20+80% 40V
C9	4210069	2.2 μ F $\pm 20\%$ 35V	C38	4010041	10 nF -20+80% 40V
C10	4210069	2.2 μ F $\pm 20\%$ 35V	C39	4010041	10 nF -20+80% 40V
C11	4200342	10 μ F -10+50% 63V	C40	4010041	10 nF -20+80% 40V
C14	4010041	10 nF -20+80% 40V	C41	4010041	10 nF -20+80% 40V
C15	4010041	10 nF -20+80% 40V	C42	4010041	10 nF -20+80% 40V
C16	4010041	10 nF -20+80% 40V	C43	4010041	10 nF -20+80% 40V
C17	4010041	10 nF -20+80% 40V	C46	4010041	10 nF -20+80% 40V
C20	4010031	680 pF $\pm 10\%$ 100V	C48	4010041	10 nF -20+80% 40V
C21	4010031	680 pF $\pm 10\%$ 100V	C49	4010041	10 nF -20+80% 40V
C22	4010031	680 pF $\pm 10\%$ 100V	C50	4010041	10 nF -20+80% 40V
C23	4010031	680 pF $\pm 10\%$ 100V	C51	4010041	10 nF -20+80% 40V
C24	4010031	680 pF $\pm 10\%$ 100V	C52	4010041	10 nF -20+80% 40V
C25	4010031	680 pF $\pm 10\%$ 100V			

IL2	8230060	6V 80 ma	X1	8090006	2.0 MHz ± 30 ppM
IL3	8230060	6V 80 mA			

P28	7220177	Plug 11 pins	7500013	Contact pin
P29	7220200	Plug 14 pins	3302321	Screen for μ C
P30	7220199	Plug 12 pins	7200321	Socket for μ C
P31	7220239	Plug 8/7 pins		
P32	7220167	Plug 6/6 pins		

Present, 8002365, PC22

R1	5010040	1 kohms $\pm 5\%$ 1/8W	R13	5010040	1 kohms $\pm 5\%$ 1/8W
R2	5010053	15 kohms $\pm 5\%$ 1/8W	R14	5010053	15 kohms $\pm 5\%$ 1/8W
R4	5010040	1 kohms $\pm 5\%$ 1/8W	R15	5300092	100 kohms PRESENT
R5	5010053	15 kohms $\pm 5\%$ 1/8W	R16	5070040	1 kohms $\pm 5\%$ 1/8W
R6	5300092	100 kohms PRESENT	R17	5070053	15 kohms $\pm 5\%$ 1/8W
R7	5010040	1 kohms $\pm 5\%$ 1/8W	R18	5300092	100 kohms PRESENT
R8	5010053	15 kohms $\pm 5\%$ 1/8W	R19	5370058	5 kohms $\pm 20\%$
R9	5300092	100 kohms PRESENT	R20	5010053	15 kohms $\pm 5\%$ 1/8W
R10	5010040	1 kohms $\pm 5\%$ 1/8W	R21	5010081	470 kohms BALANCE
R11	5010053	15 kohms $\pm 5\%$ 1/8W	R22	5010081	470 kohms TREBLE
R12	5300092	100 kohms PRESENT	R23	5010081	470 kohms BASS

AM, 8002367, PC23

P27	7220194	Plug 18/18 pins	7402088	Switch AFS.
-----	---------	-----------------	---------	-------------

R1	5010448	220 ohms $\pm 5\%$ 1/8W	R6	5010048	4.7 kohms $\pm 5\%$ 1/8W
R3	5010048	4.7 kohms $\pm 5\%$ 1/8W	R7	5010079	22 kohms $\pm 5\%$ 1/8W
R4	5010053	15 kohms $\pm 5\%$ 1/8W	R8	5370074	10 kohms $\pm 20\%$
R5	4310013	2 x 335 pF + 100 kohms	R9	5370058	5 kohms $\pm 20\%$

C1	4000016	10 pF $\pm 2\%$ 63V	C16	4130103	100 nF $\pm 20\%$ 250V
C2	4340003	5.5 -65 pF foil	C17	4000101	120 pF $\pm 5\%$ 63V
C3	4011025	3.3 nF $\pm 10\%$ 40V	C18	4101020	1.5 nF $\pm 5\%$ 63V
C4	4340002	2-22 pF foil	C19	4101020	1.5 nF $\pm 5\%$ 63V
C5	4130103	100 nF $\pm 20\%$ 250V	C20	4010060	22 nF -20+80% 40V
C6	4130150	100 nF $\pm 20\%$ 100V	C21	4100029	2.2 nF $\pm 5\%$ 63V
C7	4130123	130 pF $\pm 2.5\%$ 63V	C22	4130103	100 nF $\pm 20\%$ 250V
C8	4340003	5.5-65 pF foil	C23	4130103	100 nF $\pm 20\%$ 250V
C9	4003130	47 pF $\pm 20\%$ 63V	C24	4200218	22 μ F $\pm 20\%$ 6V
C10	4310013	2 x 335 pF + 100 kohms	C25	4200218	22 μ F $\pm 20\%$ 6V
C12	4100128	330 pF $\pm 2.5\%$ 63V	C26	4070062	330 pF $\pm 10\%$ 100V
C13	4340002	2-22 pF foil	C27	4200169	0.1 μ F $\pm 20\%$ 35V
C14	4201035	2.2 μ F -10+50% 63V			

L1	8020313	Coil LW	L4	8020316	Coil MW osc.
L2	8020331	Coil MW	L6	8020314	469 kHz
L3	8020317	Coil LM osc.	L7	8020315	469 kHz

X1	8030006	468 kHz ± 1.5 kHz	IL1	8230060	80 mA 60V
X2	8030006	468 kHz ± 1.5 kHz			

P6	7220140	Plug 16/15 pins	7400189	Switch AM-FM
			7500013	Contact pin
			3504017	Screen/housing

Record Level, 8002360, PC25

R3	5310084	2 x 47 kohms	C1	4200101	10 μ F $\pm 20\%$ 16V
R4			C2	4200101	10 μ F $\pm 20\%$ 16V

P23	7220193	Plug 9/9 pins
-----	---------	---------------

Volume, 8002362, PC27

R1	5310082	22 kohms LIN	P16	7220166	Plug 3/3 pins
----	---------	--------------	-----	---------	---------------

P6, 8002445, PC33

R8	5010048	4.7 kohms $\pm 5\%$ 1/8W	R11	5370074	10 kohms $\pm 20\%$
R9	5010059	10 kohms $\pm 5\%$ 1/8W	R12	4310013	2 x 335 pF
R10	5010141	27 kohms $\pm 5\%$ 1/8W	R13	5370058	5 kohms $\pm 20\%$

P6	7220140	Plug 16/15 pins
----	---------	-----------------

MP-Tape Indicator, 8002440, PC34

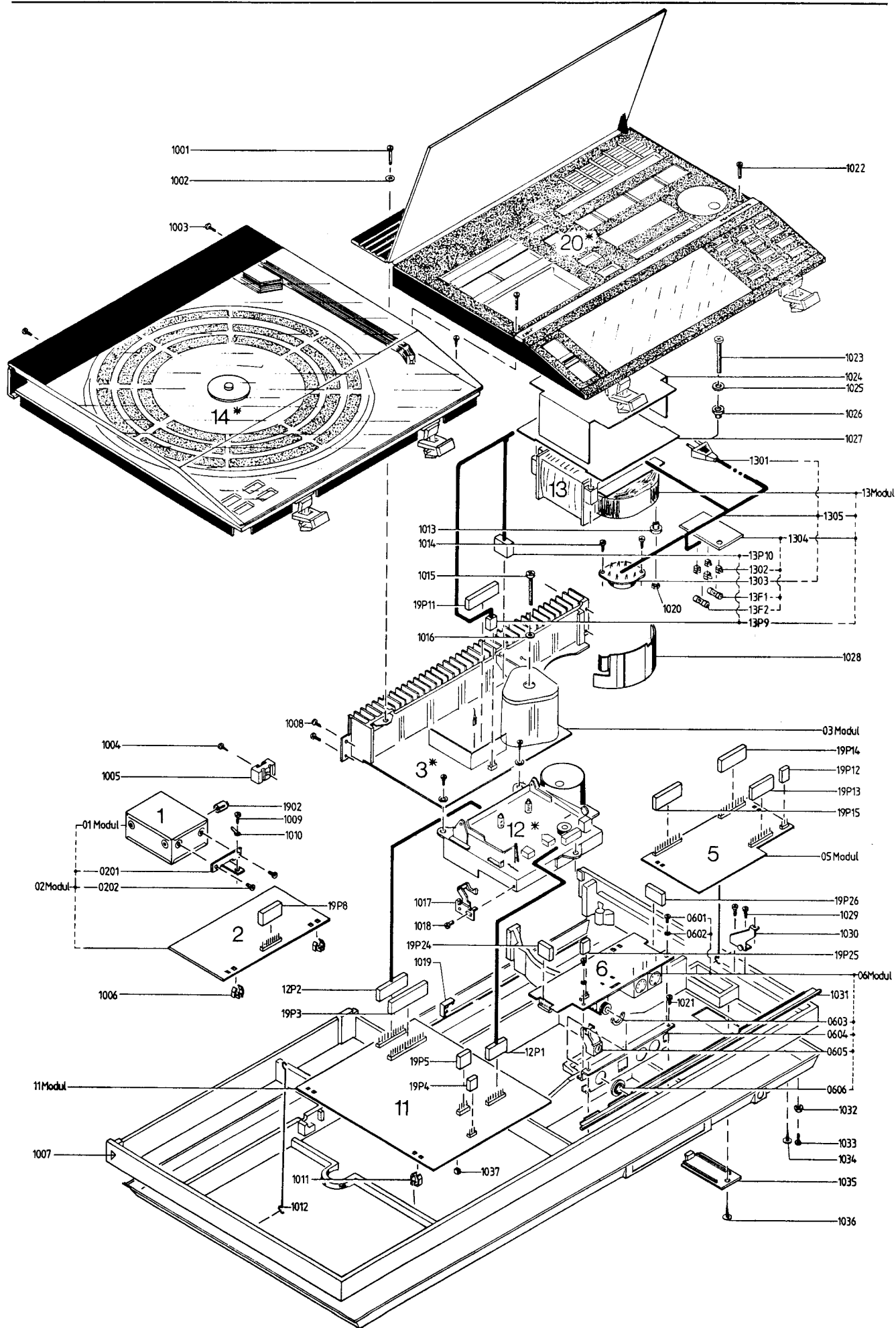
R1	5010064	2.2 kohms $\pm 5\%$ 1/8W
R2	5010044	330 ohms $\pm 5\%$ 1/8W

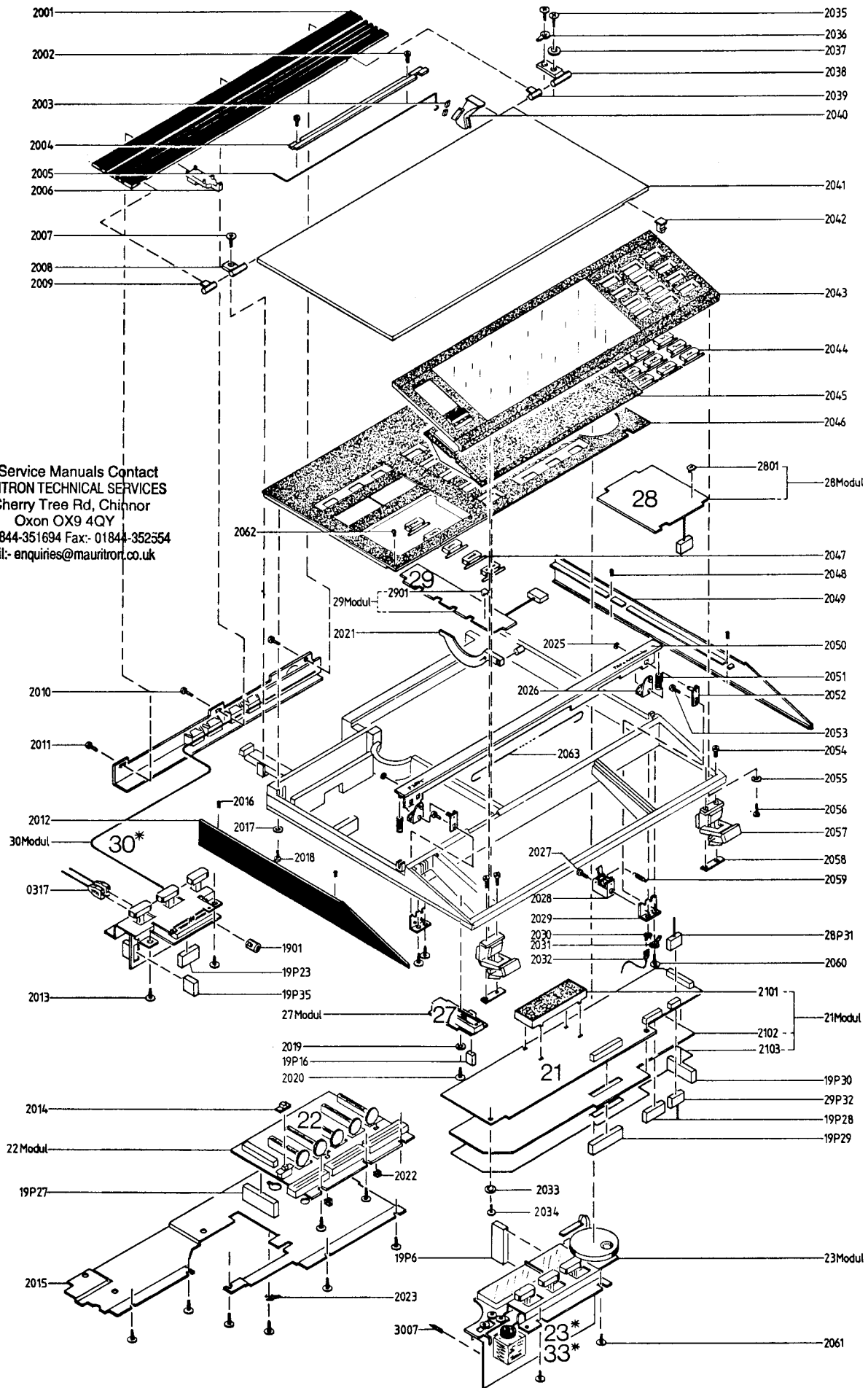
P44	7220131	Plug 4/3 pins
-----	---------	---------------

LIST OF MECHANICAL PARTS
Bottom Chassis

01Modul 8050071		PC, front end			
02Modul	8002354	PC, FM complete	0202	2039026	Screw AM3 x 4 black
0201	2542509	Bracket			
03Modul 8002358		PC, power ampl. + power supply			
05Modul 8002356		PC, switch			
06Modul	8002444	PC, Mic.-Tape	0604	2542525	Bracket
0601	2039015	Screw M3 x 6	0605	3152261	Holder
0602	2622052	Fibre washer	0606	2389045	Nut
0603	2576088	Spacer			
1001	2039011	Screw AM3 x 25 black	1016	2622022	Washer 4.3
1002	2622306	Washer 3.2 black	1017	2542542	Arm
1003	2015089	Screw 3.5 x 9.5 black	1018	2039015	Screw M3 x 6
1004	2013201	Screw 2.9 x 6.5	1019	3152259	Holder
1005	3152006	Holder	1020	2380016	Nut M4
1006	3152260	Holder	1021	2015089	Screw 3.5 x 9.5 black
1007	3413061	Cabinet set, self-adhesive, teak	1022	2039037	Screw AM3 x 16 black
	3413063	Cabinet set, self-adhesive, rosewood	1023	2043014	Screw AM4 x 40
	3413064	Cabinet set, self-adhesive oak	1024	3302305	Screen
	3413065	Cabinet set, self-adhesive white	1025	2622022	Washer 4.3
1008	2015089	Screw 3.5 x 9.5 black	1026	2938154	Bushing
1009	2015089	Screw 3.5 x 9.5 black	1027	3172082	Insulating piece
1010	7530090	Solder tag	1028	3302306	Screen
1011	3152260	Holder	1029	2015089	Screw 3.5 x 9.5 black
1012	2850096	Arm	1030	2542543	Bracket
1013	2938154	Bushing	1031	2568602	Moulding
1014	2015089	Screw 3.5 x 9.5 black	1032	3035028	Rubber foot
1015	2043010	Screw AM4 x 65 black	1033	2013099	Screw 2.9 x 6.5
			1034	2015089	Screw 3.5 x 9.5 black
			1035	3164338	Cover
			1036	2015089	Screw 3.5 x 9.5 black
			1037	2576050	Spacer
11Modul 8004210		PC, tape			
12P1	6275440	Set of wires with socket	3152214	Wires binder	
12P2	6275441	Set of wires with socket			
13Modul	8013203	Mains transformer	13F1	6600022	Fuse 1.6 A slow
1301	6271101	Mains lead with euro-plug	13F2	6600022	Fuse 1.6 A slow
1302	7500002	Fuse holder		3302318	Screen f. fuse holder
1303	7400119	Voltage switch		3172085	Insulation f. fuse holder
1304	8002373	Fuse holderr			
1305	6275407	Set of wires	13C1	4200421	1000µF -10+50% 6.3V
13P9	6275421	Set of wires P9 & P10			
13P10	6275421	Set of wires P9 & P10			
19Modul	6275449	Main wire bundle	19P13	7210138	Socket/housing 13/14 contacts
1902	7220148	Plug	19P14	7210174	Socket/housing 15/16 contacts
19P3	7210215	Socket/housing 21/20 contacts	19P15	7210214	Socket/housing 14/15 contacts
19P4	7210113	Socket/housing 3/4 contacts	19P24	7210117	Socket/housing 8 contacts
19P5	7210164	Socket/housing 5/6 contacts	19P25	7210170	Socket/housing 3 contacts
19P8	7210130	Socket/housing 11/12 contacts	19P26	7210118	Socket/housing 9 contacts
19P11	7210165	Socket/housing 18/19 contacts		7500114	Contact pin
19P12	7210113	Socket/housing 3/4 contacts		6273887	Aerial Cord

For Service Manuals Contact
MAURITRON TECHNICAL SERVICES
 8 Cherry Tree Rd, Chinnor
 Oxon OX9 4QY
 Tel: 01844-351694 Fax: 01844-352354
 Email: enquiries@mauritron.co.uk





For Service Manuals Contact
MAURITRON TECHNICAL SERVICES
 8 Cherry Tree Rd, Chinnor
 Oxon OX9 4QY
Tel: 01844-351694 Fax: 01844-352354
Email: enquiries@mauritron.co.uk

Top Chassis

0317	6100054	Wire with socket			
1901	7220148	Plug	19P28	7210120	Socket/housing 11 contacts
19P6	7210174	Socket/housing 16/15 contacts	19P29	7210167	Socket/housing 14 contacts
19P16	7210170	Socket/housing 3 contacts	19P30	7210121	Socket/housing 12 contacts
19P23	7210118	Socket/housing 9 contacts	19P35	7210132	Socket/housing 6 contacts
19P27	7210213	Socket/housing 18 contacts		7500114	Contact pin
2001	2568632	Rear moulding	2034	2015089	Screw 3.5 x 9.5 black
2002	2015089	Screw 3.5 x 9.5 black	2035	2015066	Screw 3.5 x 16 black
2003	3035027	Slider	2036	7530087	Solder tag
2004	3014048	Bracket	2037	2622304	Washer
2005	2812083	Spring	2038	3030055	Hinge
2006	3010015	Stop	2039	3030041	Hinge
2007	2015089	Screw 3.5 x 9.5 black	2040	3011010	Friction plate
2008	3030043	Hinge	2041	2568631	Lid
2009	3030041	Hinge	2042	3034039	Lock
2010	2039033	Screw M3 x 6 black	2043	3168164	Panel
2011	2015093	Screw 3.5 x 13 black	2044	2775793	Set of buttons
2012	2548542	Side piece	2045	3302302	Screen
2013	2015089	Screw 3.5 x 9.5 black	2046	3168162	Panel type 1802
2014	2775350	Button	2046	3168163	Panel type 1804
2015	3302301	Screen	2047	2775790	Set of buttons
2016	2070034	Threaded pin M3 x 5	2048	2070034	Threaded pin M3 x 5
2017	2622117	Washer	2049	2568746	Side piece
2018	2013089	Screw 2.9 x 7.9	2050	2568630	Moulding
2019	2938081	Rubber bushing	2051	2810097	Spring
2020	2015089	Screw 3.5 x 9.5 black	2052	2530389	Bracket
2021	3011011	Arm	2053	2039007	Screw AM3 x 3
2022	2576050	Spacer	2054	2013107	Screw M2.9 x 9.5 black
2023	7530090	Solder tag	2055	2622306	Washer
2025	2390001	Locking ring 2.3	2056	2013025	Screw 2.9 x 13 black
2026	2854070	Arm	2057	3030054	Hinge
2027	2039007	Screw AM3 x 3	2058	2641092	Clamp
2028	2530388	Bracket	2059	2810008	Spring
2029	2530356	Bracket	2060	2015089	Screw 3.5 x 9.5 black
2030	7500145	Contact piece	2061	2015089	Screw 3.5 x 9.5 black
2031	7530087	Solder tag	2062	3010007	Stop
2032	6250093	Socket with wire	2063	2850095	Connection piece
2033	2938081	Rubber bushing			
21Modul	8002442	PC, display	2102	3302321	Screen
2101	3131180	Lamp housing	2103	3170188	Insulating plate
22Modul	8002365	PC, FM preset + tone control			
23Modul	8002367	PC, AM (only type 1802)			
27Modul	8002362	PC, volume control			
28Modul	8002370	PC, primary operation	2801	7500149	Contact spring
29Modul	8002483	PC, secondary operation	2901	7500149	Contact spring
30Modul	8002448	PC, speakers switch + socket panel, type 1802	3007	7500014	Contact bushing
	8002359	PC, speakers, switch + socket panel, type 1804			
33Modul	8002445	PC P6 (only type 1804)			
34Modul	8002440	PC MP-Tape indicator			

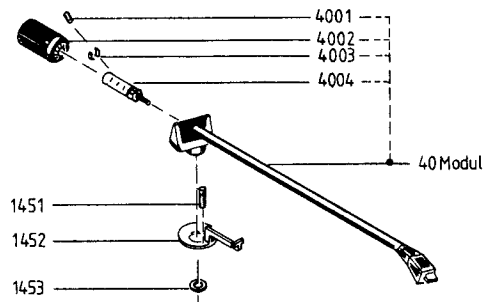
Chassis, Record Player

1407	2039028	Screw AM3 x 8 black	1429	2938100	Bushing
1408	3164404	Dust cover	1430	2622228	Washer
1409	2726126	Turntable	*2 1431	2815007	Leaf spring
1410	2622264	Cover washer	*1 1432	2815012	Leaf spring
1411	2046910	Screw	1433	2070400	Threaded pin M2 x 3
1412	2036213	Screw AM2.6 x 8	1434	2722022	Pulley
1413	2622271	Washer 2.7	1435	8954650	Pick-up MMC 20E (replacement)
1414	2938137	Rubber bushing	1436	2732037	Drive belt
1415	2930074	Brass bushing	1438	3458231	Top plate
1416	3120247	Holder	1439	3030054	Hinge
1417	2775806	Set of buttons	1440	2641092	Clamp
1418	3152272	Holder	1441	2039903	Screw AM3 x 5
1419	2039903	Screw AM3 x 5	1442	2510067	Wire holder
1420	7500145	Contact piece	1443	2039903	Screw AM3 x 5
1421	6250093	Socket with wire	1444	3152063	Holder
1422	3180767	Washer	1445	2622231	Mica sheet
1423	2042209	Screw AM4 x 10	1446	2013201	Screw 2.9 x 6.5
1424	2640031	Clamp	1451	2072101	Lifting screw
1425	2938129	Bushing	1452	2854076	Lifting arm
1426	2514028	Hook	1453	2622271	Washer
*1 1427	2815012	Leaf spring	1454	2810091	Spring
1428	2640032	Clamp			

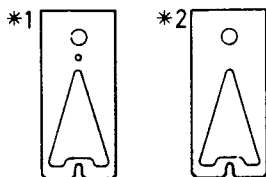
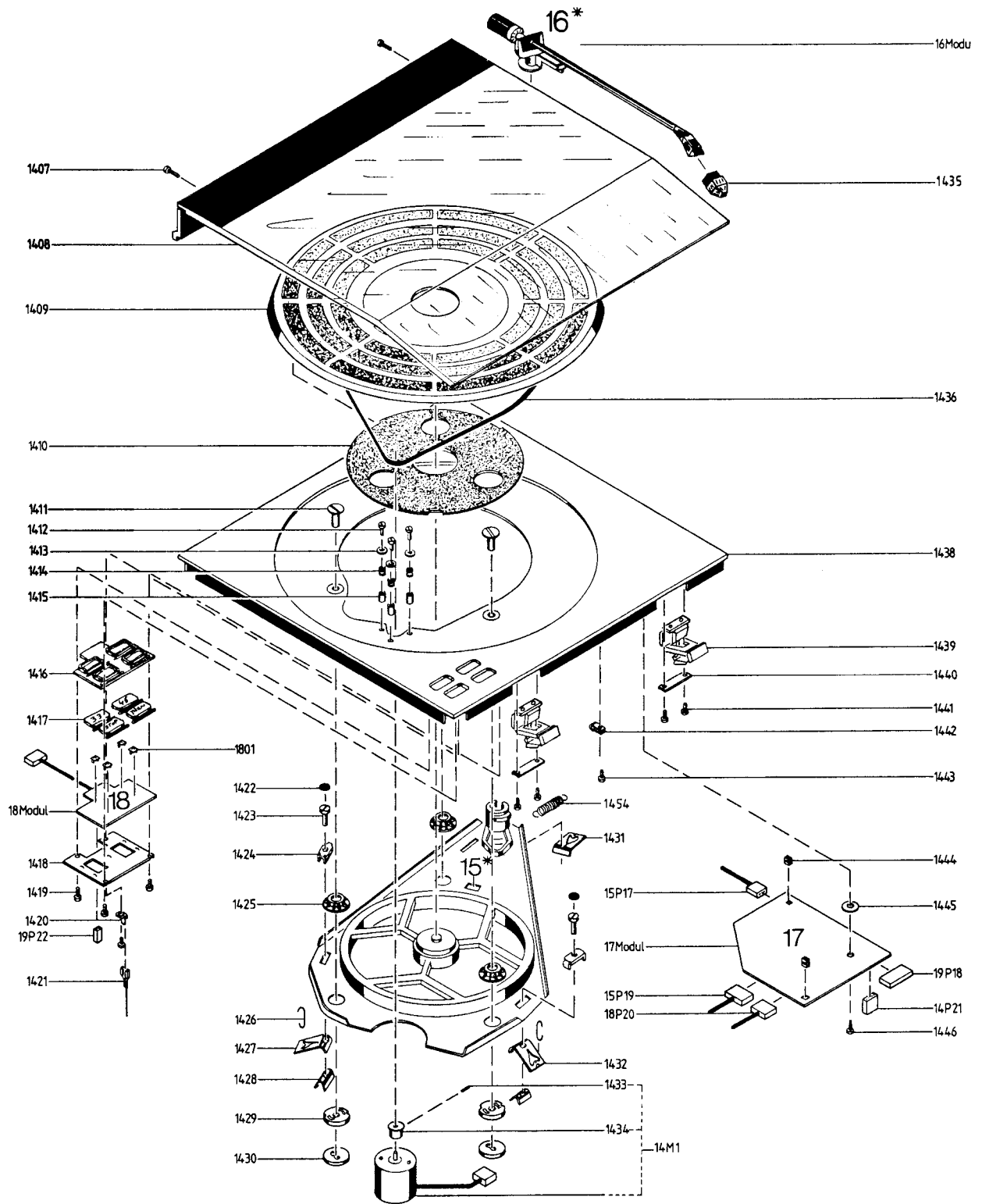
For Service Manuals Contact
MAURITRON TECHNICAL SERVICES
 8 Cherry Tree Rd, Chinnor
 Oxon OX9 4QY
Tel:- 01844-351694 Fax:- 01844-352554
Email:- enquiries@mauritron.co.uk

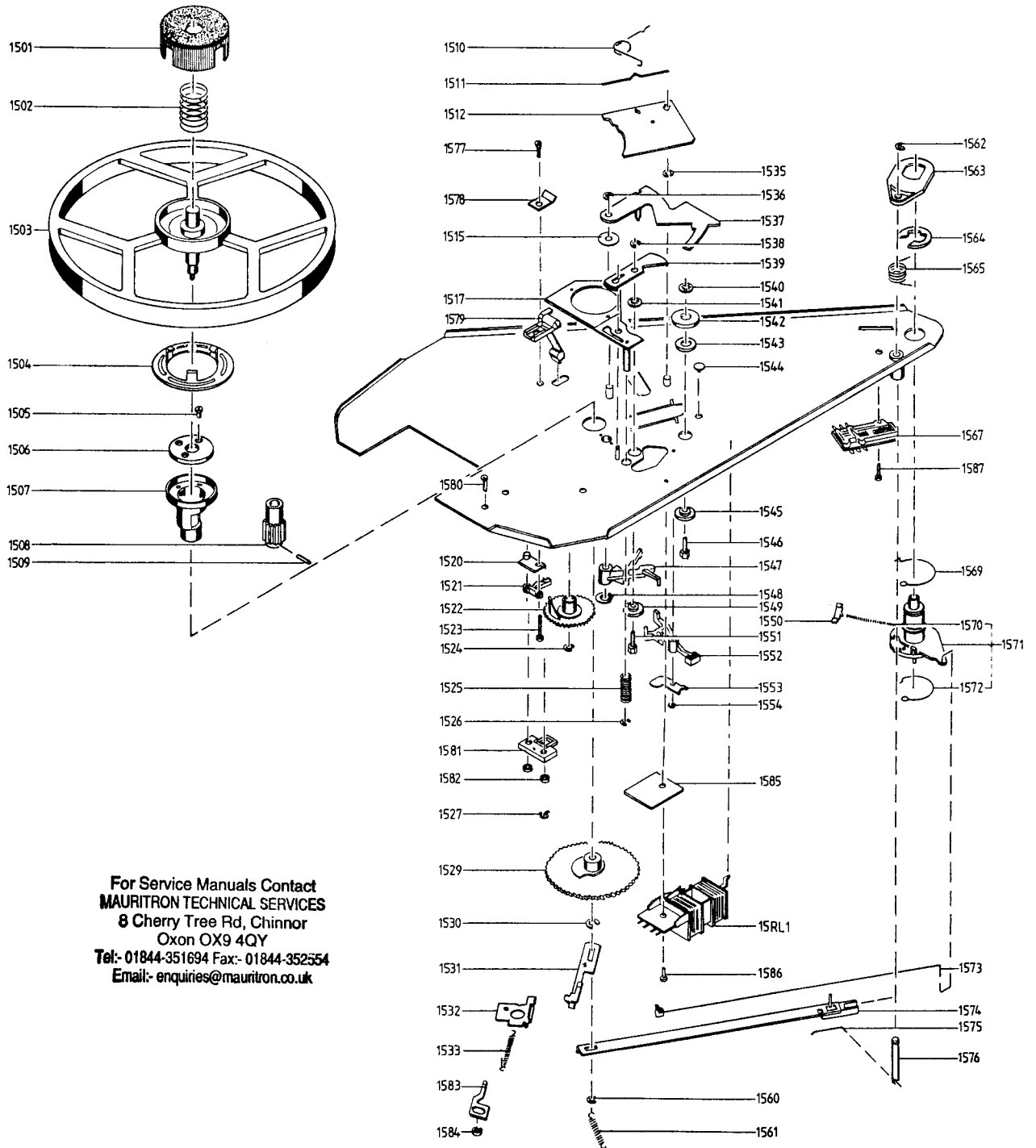
14M1	8400098	Motor	7500114	Kontaktben	
14P21	7210115	Socket/housing 5/4 contacts			
15P17	6270207	Set of wires with socket	15P19	6273837	Set of wires with socket
17Modul	8005035	PC, phono			
18Modul	8005047	PC, operation	1801	7500149	Contact spring
19P18	7210198	Socket/housing 10/9 contacts	19P22	7210114	Socket/housing 2 contacts
				7500114	Contact pin

Pick-up Arm 2850101



4001	2070035	Threaded pin M3 x 6	4003	2576114	Adjustment bushing
4002	3342076	Counterweight	4004	2834077	Axle





For Service Manuals Contact
MAURITRON TECHNICAL SERVICES
 8 Cherry Tree Rd, Chinnor
 Oxon OX9 4QY
 Tel:- 01844-351694 Fax:- 01844-352554
 Email:- enquiries@mauritron.co.uk

Record Player Deck

1501	3014039	Adaptor	1545	2803005	Washer
1502	2818059	Spring	1546	2992048	Tap
1503	2794075	Flywheel	1547	2853058	Arm
1504	3014040	Adaptor ring	1548	2390084	E-ring 5.5
1505	2038220	Screw AM3 x 12	1549	2803005	Washer
1506	2905075	Bearing ring	1550	2816162	Slider
1507	3150037	Bearing bushing	1551	2992076	Tap
1508	2700024	Gear-wheel	1552	2853059	Arm
1509	2361048	Locking pin	1553	3164387	Cover
1510	2819145	Spring	1554	2380011	Nut M3
1511	2819155	Spring	1560	2390002	E-ring 3.2
1512	3014041	Friction plate	1561	2810082	Spring
1515	2622285	Cover	1562	2390002	E-ring 3.2
1517	3014052	Adaptor plate	1563	2623034	Lifting plate
1520	2576129	Spacer	1564	2938141	Lock
1521	7402081	Micro-switch	1565	2812082	Spring
1522	2700026	Gear wheel	1567	7459018	Silente contact
1523	2038229	Screw M3x18	1569	2819106	Spring
1524	2390002	E-ring 3.2	1570	2810095	Spring
1525	2818068	Spring	1571	2938153	Bearing complete
1526	2390002	E-ring 3.2	1572	2819107	Spring
1527	3152118	Lead holder	1573	2850105	Arm
1529	3017014	Camwheel	1574	2850040	Arm
1530	2390002	E-ring 3.2	1575	2430326	Arm
1531	2542511	Bracket	1576	2850093	Bar
1532	2542512	Bracket	1577	2039908	Screw M3 x 10
1533	2818069	Spring	1578	2819160	Spring
1535	2390002	E-ring 3.2	1579	2853091	Arm
1536	2390002	E-ring 3.2	1580	2039013	Screw M3 x 16
1537	3014031	Arm	1581	3131205	Housing with reed-relay
1538	2990001	E-ring 2.3	1582	2380011	Nut M3
1539	3014043	Stop	1583	3031068	Bracket
1540	2395030	Locking disc.	1584	2389061	Adjustment nut
1541	2395030	Locking disc.	1585	3170203	Insulation piece
1542	2938084	Washer	1586	2039908	Screw M3 x 10
1543	2622198	Washer	1587	2039908	Screw M3 x 10
1544	3035020	Plastic foot			

15RL1	8024060	Coil complete			
	6273948	Set of wires for 15RL1			
	7500135	Contact spring			

Tape Deck, Top

12001	2036017	Screw M2.6 x 4	12062	2810104	Spring
12002	7530088	Solder tag	12063	2853062	Sensor
12003	2530382	Bracket	12064	2818062	Spring
12004	2036030	Screw 2.6 x 8	12065	2853061	Sensor
12005	2810110	Spring	12066	2036023	Screw 2.6 x 7
12006	2530377	Bracket	12067	2810113	Spring
12007	2036028	Screw 2.6 x 6	12068	2853068	Arm
12008	2542534	Bracket	12069	2932093	Bushing
12009	2810101	Spring	12070	2036021	Screw M2.6 x 3
12010	2917018	Ball 2.5	12071	2624045	Washer
12011	2917018	Ball 2.5	12072	2542538	Bracket
* 12012	3010017	Stop	12073	2036029	Screw 2.6 x 8
12013	2917018	Ball 2.5	12074	6140766	Mounting plate
12014	2530380	Bracket	12075	3151189	Lamp housing
12015	2036018	Screw M2.6 x 5	12076	2036022	Screw M2.6 x 5
* 12016	3010017	Stop	12077	2036022	Screw M2.6 x 5
12017	2034047	Screw M2 x 4 black	12078	2624045	Washer
12018	3151190	Holder	12079	2932089	Brass bushing
12019	3199058	Light conductor	12080	2036023	Screw M2.6 x 7
12020	3151188	Bracket	12081	2542506	Damping system
12021	3164380	Cover	12082	2036019	Screw M2.6 x 3 black
12022	2932092	Supply reel	12083	2624045	Screw
12023	2390078	E-ring 2.0	12084	2548172	Bracket
12024	2853063	Arm	12085	2810103	Spring
12025	2034048	Screw M2 x 5	12086	2034052	Screw M2 x 2 black
12026	2034049	Screw M2 x 4	12087	2622298	Washer
12027	2034050	Screw M2 x 7	12088	2816178	Leaf spring
12028	2034207	Screw M2 x 5	12089	2034047	Screw M2 x 4 black
12029	2622300	Washer	12091	2530379	Bracket
12030	2036029	Screw 2.6 x 8	12092	2034052	Screw M2 x 2 black
12031	2812087	Spring	12093	2810100	Spring and cord
12032	2622294	Washer	12094	2036017	Screw M2.6 x 4
12033	2812088	Spring	12095	7530088	Solder tag
12034	2036019	Screw M2.6 x 3 black	12096	2542536	Holder
12035	2816175	Leaf spring	12097	2932088	Cord pulley
12036	3151191	Wire holder	12100	2390056	E-ring 1.5
12037	2917018	Ball 2.5	12101	2722027	Pulley
12038	3112244	Chassis	12102	2072008	Threaded pin
12039	2034051	Screw 2 x 8	12103	2036021	Screw M2.6 x 3
12040	2810108	Spring	12104	2542535	Bracket
12041	2804039	Arm	12105	2036021	Screw M2.6 x 3
12042	2036028	Screw 2.6 x 6	12106	2542537	Bracket
12043	3164380	Cover	12107	2932090	Rubber bushing
12044	2932091	Take-up reel	12108	2932089	Brass bushing
12045	2036020	Screw M2.6 x 4	12109	2932090	Rubber bushing
12046	2810109	Spring	12110	2036023	Screw M2.6 x 7
12047	2390078	E-ring 2.0	12111	2036023	Screw M2.6 x 7
12048	2622297	Washer	12112	2530381	Bracket
12049	2804041	Thrust roller	12113	2624013	Washer
12050	2622297	Washer	12114	2039039	Screw M3 x 4
12051	2390078	E-ring 2.0	12115	2039039	Screw M3 x 4
12052	2853067	Arm	12116	2624013	Washer
12053	2622297	Washer	12117	2622245	Plastic washer
12054	7530089	Solder tag	12118	2034207	Screw M2 x 5
12055	2816176	Bracket	12119	2818067	Spring
12056	2036029	Screw 2.6 x 8	12120	2034051	Screw 2 x 8
12057	2816177	Leaf spring	12121	2932095	Bushing
12058	2036029	Screw 2.6 x 8	12122	2810128	Spring
12059	2917018	Ball 2.5	12123	2853090	Arm
12060	2816175	Leaf spring	12124	2013099	Screw 2.9 x 6.5
12061	2917018	Ball 2.5	12125	8004224	Noise filter

For Service Manuals Contact
MAURITRON TECHNICAL SERVICES
 8 Cherry Tree Rd, Chinnor
 Oxon OX9 4QY
 Tel: 01844-351694 Fax: 01844-352554
 Email: enquiries@mauritron.co.uk

12H1	8600054	Tape head	12H2	8600055	Erase head
------	---------	-----------	------	---------	------------

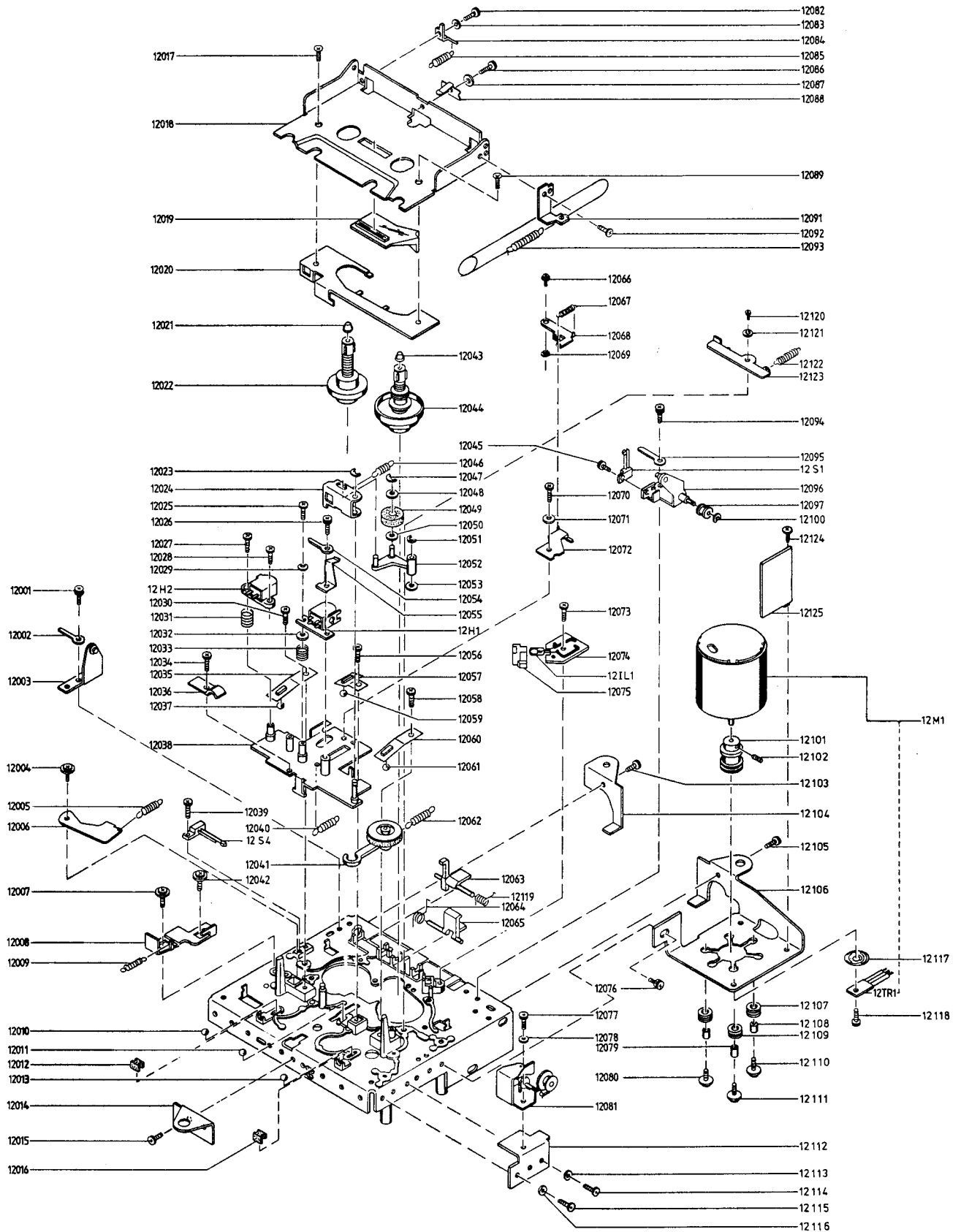
12IL1	8230060	Lamp
-------	---------	------

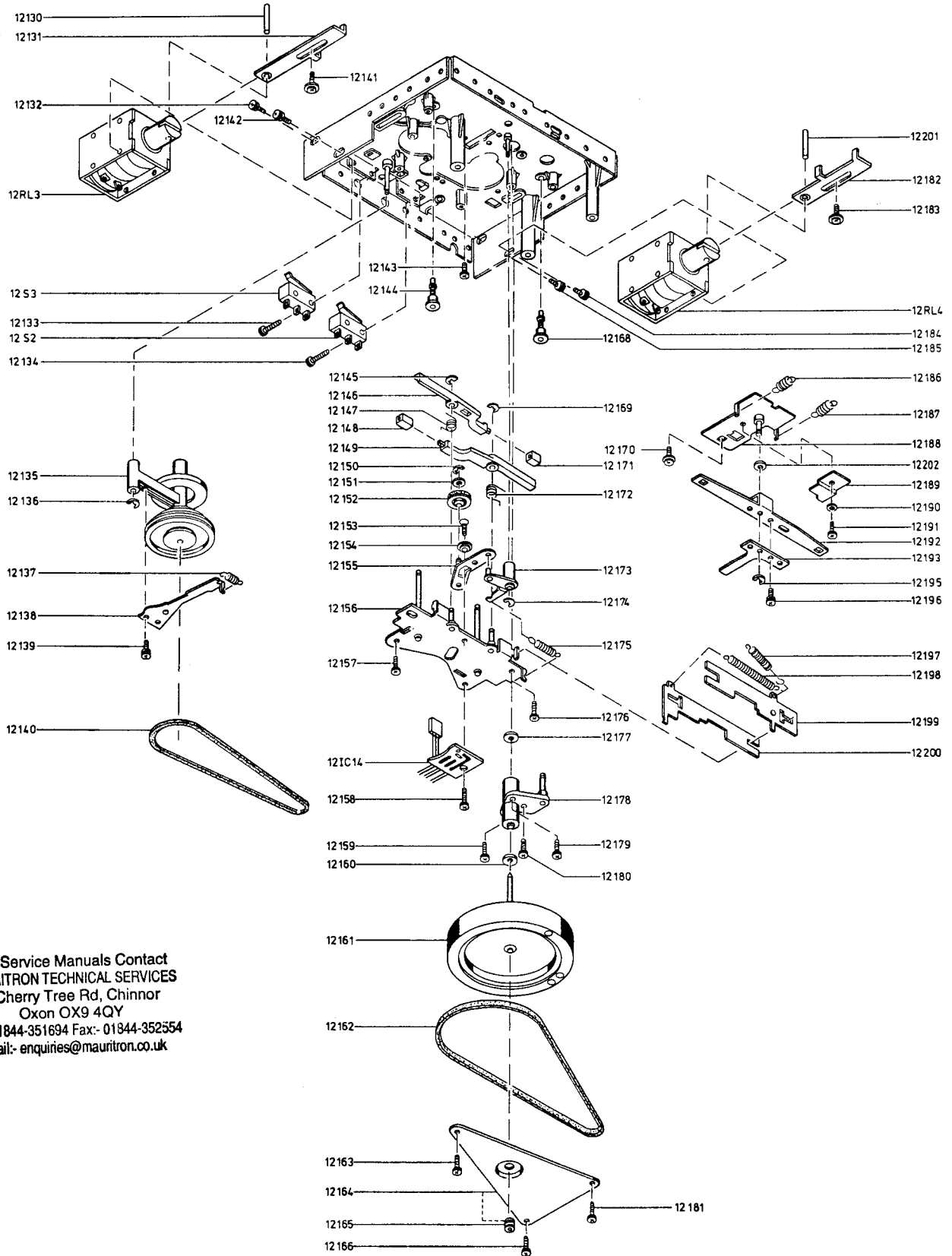
12M1	8400101	Motor
------	---------	-------

12S1	7410018	Switch	12S4	7410019	Switch
------	---------	--------	------	---------	--------

12TR1	8320429	Transistor
-------	---------	------------

* Replacing stops 12012/12016 new stops are to be glued with IS 12 (code no. 3980033)





For Service Manuals Contact
MAURITRON TECHNICAL SERVICES
 8 Cherry Tree Rd, Chinnor
 Oxon OX9 4QY
 Tel:- 01844-351694 Fax:- 01844-352554
 Email:- enquiries@mauritron.co.uk

Tape Deck, Bottom

12130	2361055	Pin	12166	2036027	Screw 2.6 x 10
12131	2894046	Arm	12168	2994023	Guide pin
12132	2038063	Screw M3 x 5	12169	2390078	E-ring 2.0
12133	2036026	Screw M2.3 x 10	12170	2036025	Screw M2.6 x 6.5
12134	2036026	Screw M2.3 x 10	12171	2938161	Brake block
12135	2724059	Cluth	12172	2818066	Spring
12136	2390073	E-ring 2.5	12173	2854077	Arm
12137	2810099	Spring	12174	2390078	E-ring 2.0
12138	2530378	Bracket	12175	2810102	Spring
12139	2036010	Screw M2.6 x 8	12176	2036027	Screw 2.6 x 10
12140	2732047	Belt	12177	2622296	Plastic washer
12141	2036030	Screw 2.6 x 8	12178	3114148	Bearing
12142	2038063	Screw M3 x 5	12179	2036024	Screw M2.6 x 6
12143	2034051	Screw 2 x 8	12180	2036024	Screw M2.6 x 6
12144	2994023	Guide pin	12181	2036027	Screw 2.6 x 10
12145	2390078	E-ring 2,0	12182	2894047	Arm
12146	2853065	Arm	12183	2036030	Screw 2.6 x 8
12147	2818065	Spring	12184	2038063	Screw M3 x 5
12148	2938161	Brake block	12185	2038063	Screw M3 x 5
12149	2853064	Arm	12186	2810107	Spring
12150	2390056	E-ring 1.5	12187	2810107	Spring
12151	2622299	Washer	12188	3112248	Bracket
12152	2804040	Wheel	12189	2542539	Bracket
12153	2034053	Screw M2 x 4	12190	2624045	Washer
12154	2932087	Bushing	12191	2036021	Screw M2.6 x 3
12155	2851109	Arm	12192	2853066	Arm
12156	3112246	Chassis	12193	3014049	Arm
12157	2036027	Screw 2.6 x 10	12195	2390073	E-ring 2.5
12158	2036027	Screw 2.6 x 10	12196	2036022	Screw M2.6 x 5
12159	2036024	Screw M2.6 x 6	12197	2810105	Spring
12160	2622295	Plastic washer	12198	2810106	Spring
12161	2794081	Flywheel	12199	3014050	Bracket
12162	2732048	Belt	12200	3014051	Bracket
12163	2036027	Screw 2.6 x 10	12201	2361055	Pin
12164	3112247	Holder	12202	2622322	Washer
12165	2991021	Bearing			

12IC14 8004216 PC complete

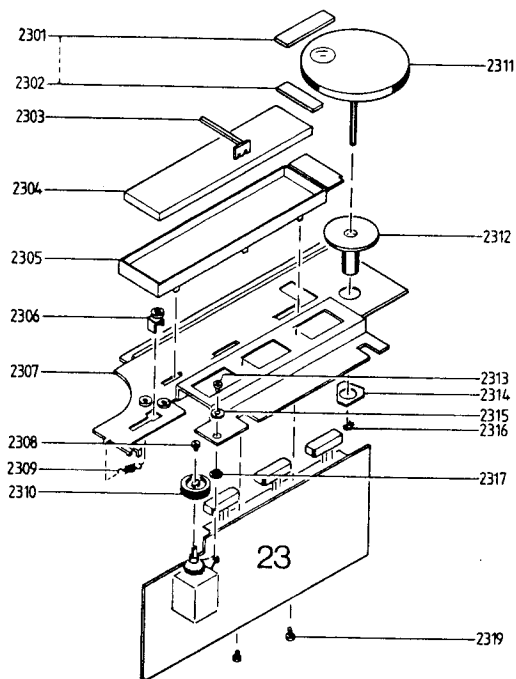
12RL3 6840254 Solenoid

12RL4 6840254 Solenoid

12S2 7410020 Switch

12S3 7410020 Switch

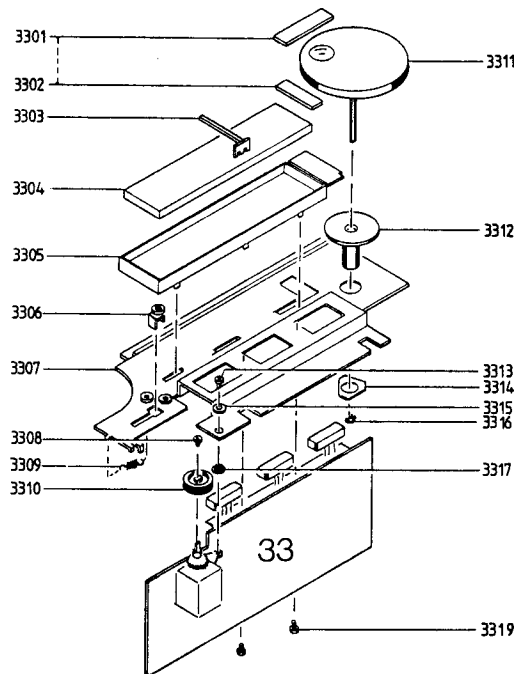
AM Module 8002367



2301	3120253	Mounting plate	2311	2794083	Dial wheel
2302	3120253	Mounting plate	2312	2905066	Bearing
2303	3190078	Pointer	2313	2036016	Screw AM2.6 x 6
2304	3370124	Light conductor	2314	2395035	Spire
2305	3131170	Housing	2315	2622041	Fibre washer 3.2
2306	2542514	Cord pulley	2316	2390004	Circlip UG3 x 0.6
2307	3124076	Bracket	2317	2938026	Bushing
2308	2036201	Screw AM2.6 x 3	2319	2039007	Screw AM3 x 3
2309	2810086	Spring		3955001	Dial cord
2310	2724056	Cord wheel			

P6 Module 8002446

For Service Manuals Contact
MAURITRON TECHNICAL SERVICES
 8 Cherry Tree Rd, Chinnor
 Oxon OX9 4QY
 Tel:- 01844-351694 Fax:- 01844-352554
 Email:- enquiries@mauritron.co.uk

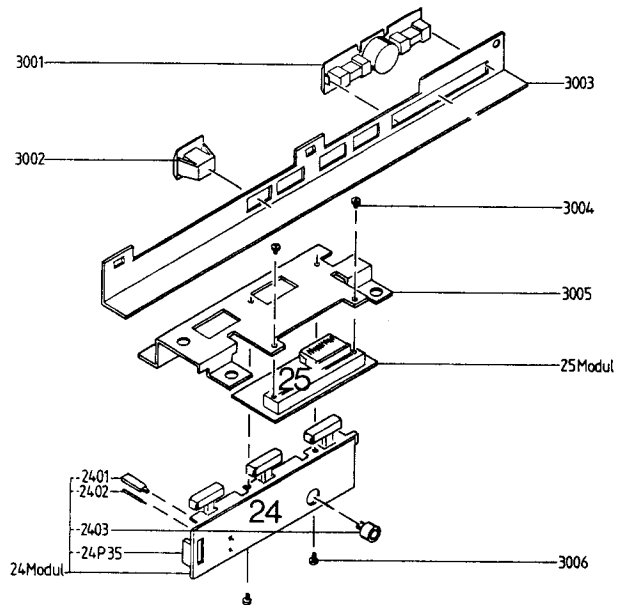


3301	3120253	Mounting plate	3311	2794083	Dial wheel
3302	3120253	Mounting plate	3312	2905066	Bearing
3303	3190078	Pointer	3313	2036016	Screw AM2.6 x 6
3304	3370124	Light conductor	3314	2395035	Spire
3305	3131170	Housing	3315	2622041	Fibre washer 3.2
3306	2542514	Cord pulley	3316	2390004	Circlip UG3 x 0.6
3307	3124076	Bracket	3317	2938026	Bushing
3308	2036201	Screw AM2.6 x 3	3319	2039007	Screw AM3 x 3
3309	2810086	Spring		3955001	Dial cord
3310	2724056	Cord wheel			

PC, Power Amplifier and Power Supply

8002448 - Type 1802

8002359 - Type 1804

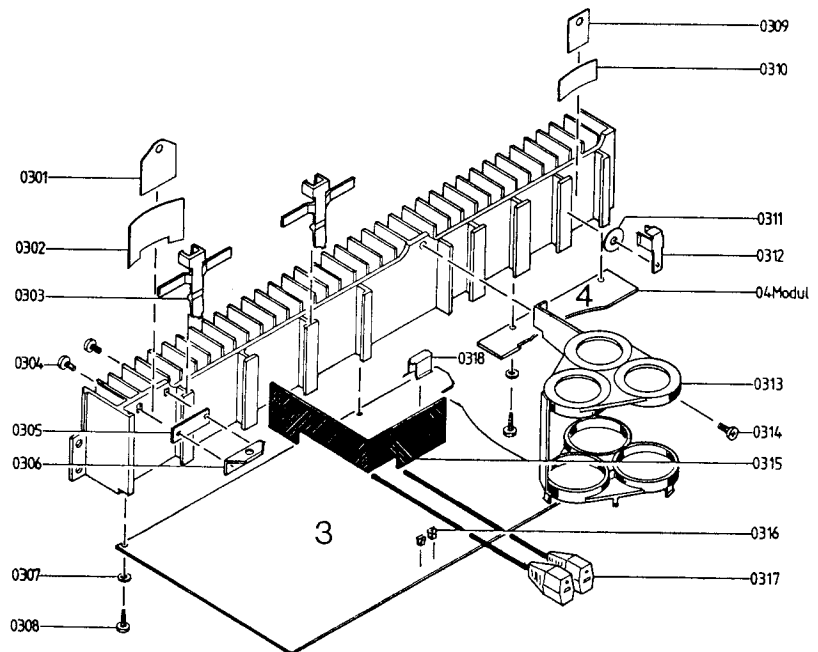


24Modul	8002361	PC, speakers switch	2402	7500100	Pin, round
	24P35	Plug	2403	7210272	Socket
	2401	Pin, flat			

25Modul 8002360 PC level

3001	7210099	Socket panel for type 1802	3003	2530367	Bracket for type 1804
3001	7220028	Socket panel for type 1804	3004	2039007	Screw AM3 x 3
3002	7210251	Socket	3005	3124075	Bracket
3003	2530394	Bracket for type 1802	3006	2039007	Screw AM3 x 3

PC, Power Amplifier and Power Supply 8002358



0301	2622250	Mica sheet	0310	2816179	Spring
0302	2816120	Spring	0311	2622231	Mica sheet
0303	3152257	Holder	0312	3152280	Holder
0304	2039015	Screw M3 x 6	0313	3152262	Holder
0305	3170152	Insulating piece	0314	2039015	Screw M3 x 6
0306	2542508	Bracket	0315	3358146	Heat zink
0307	2622052	Fiber washer 3.2	0316	7500002	Fuse holder
0308	2039028	Screw AM3 x 8 black	0317	6100054	Wire with socket
0309	2622248	Mica sheet	0318	2816169	Spring

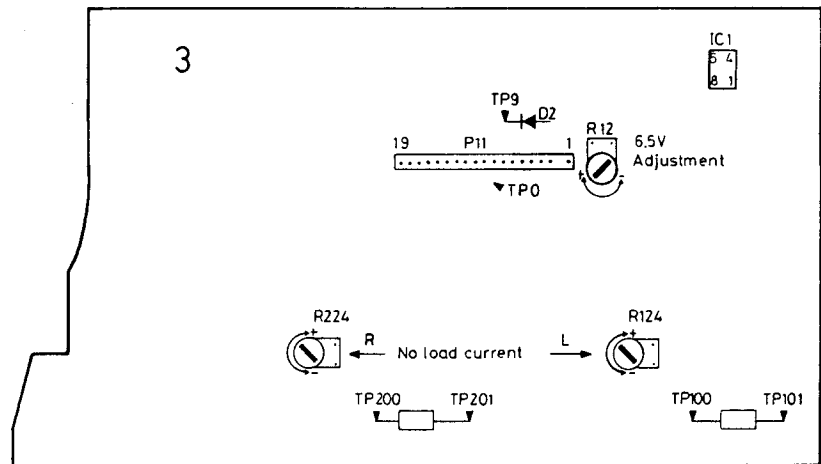
04Modul 8002413 PC, power supply

Parts not shown

0T1	8020341	Aerial transformer	3627006	Cleaning brush for pick-up
	3532144	Diagram for type 1802	6273887	Intern aerial lead
	3532147	Diagram for type 1804	3114140	Foam chassis-top
	3391539	Outer carton	3114139	Foam chassis-bottom
	3391561	Insert for turntable		
	3391584	Insert for eject rail		
	3397421	Foam packing		
	3984005	Lubricant Rocol kilopoise 1016S for lid		
	3950007	Plastic moulding for screen/ mains transformer		

For Service Manuals Contact
MAURITRON TECHNICAL SERVICES
8 Cherry Tree Rd, Chinnor
Oxon OX9 4QY
Tel:- 01844-351694 Fax:- 01844-352554
Email:- enquiries@mauritron.co.uk

RADIO SECTION ADJUSTMENTS 6.5 V Power Supply

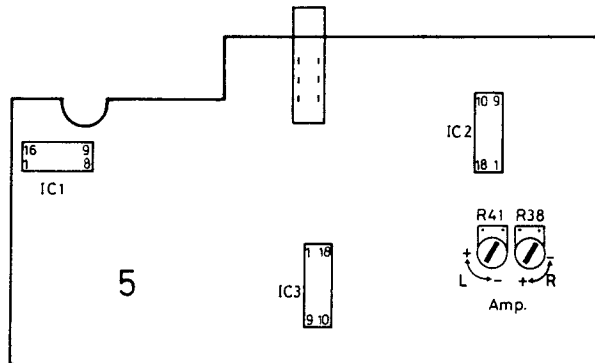


Switch to ST BY.
Connect DC voltmeter between 3TP0 and 3TP9.
With 3R12 adjust voltage to $6.5\text{ V} \pm 0.1\text{ volt}$.

No-Signal Current

Select P1 – P5.
No-signal current should be adjusted with the receiver cold and with the volume control turned all the way down.
Speakers must not be connected.
Connect DC millivoltmeter between 3TP200 and 3TP201 (3TP100 and 3TP101), or a mA meter in the collector of 3IC200 (3IC100).
With 3R224 (3R124) adjust for 10 millivolts, or 25 mA.

Gain (AF)

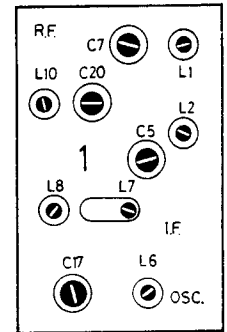
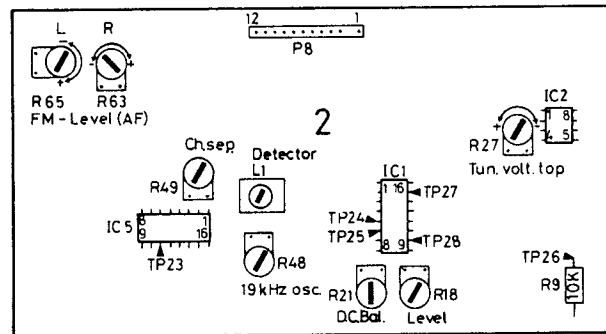
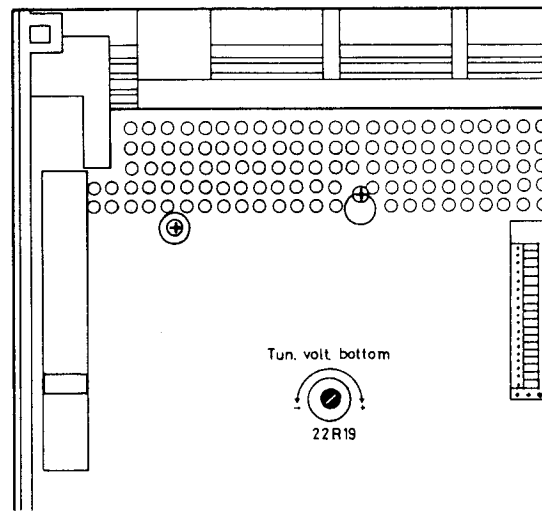


Switch to P1 – P5.
Volume control at max.
Bass, treble and balance controls at neutral.
Connect tone generator to external tape input and set it to deliver 1 kHz – 140 millivolts.
Connect AC voltmeter to speaker output.
With 5R41 adjust voltage to 12.7 volts in left channel and with 5R38 adjust to 12.7 volt in right channel. (12.7 volts represents 40 watts at 4-ohm load).

FM – Presetting of Potentiometers

When performing total readjustment of the FM section it will be an advantage to preset the potentiometers as follows:
2R21 and 2R27 should be set at midscale.
2R18, 2R49, 2R63 and 2R65 should be turned fully clockwise.

Tuning Voltage



For Service Manuals Contact
MAURITRON TECHNICAL SERVICES
 8 Cherry Tree Rd, Cninnor
 Oxon OX9 4QY
 Tel: 01844-351694 Fax: 01844-352554
 Email: enquiries@mauritron.co.uk

Switch to P6 – FM.

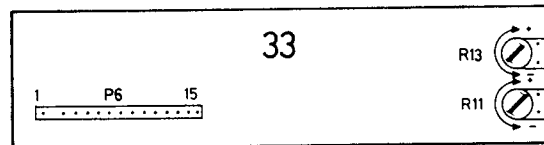
Adjust 2R27 to 27.5V measured on P8 pin 6.

Adjust 22R19 to 4V measured on P6 pin 15.

Set dial to 89 MHz, adjust 23R9 (* 33R13) to 5.6V measured in 2TP26.

Set dial to 106 MHz adjust 23R8 (* 33R11) to 21.0V measured in 2TP26.

* Adjustment of 33R13 and 33R11 applies for type 1802.



Tuner

Select P6 – FM and tune to 89 MHz.

Connect sweep generator to aerial input and set to 89 MHz.

Connect oscilloscope through RC probe to 2TP28 (pin 10 of 2IC1) or through diode probe to 2TP27 (pin 15 of 2IC1).

With 1L6, 1L1, 1L2 and 1L10 adjust for max. and symmetrical IF curve.

Now set the dial pointer to 106 MHz and the sweep generator to 106 MHz.

With 1C17, 1C7, 1C5 and 1C20 adjust for max. and symmetrical IF curve.

Check dial accuracy. Repeat adjustment if necessary. Now set dial pointer to 94 MHz and sweep generator to 94 MHz.

With 1L7 and 1L8 adjust for max. and symmetrical IF curve.

Detector

Select a dial setting of e.g. 94 MHz. Connect a signal generator (or perhaps a stereo coder); this should be set to the same frequency. Switch off AFC on the set.

Connect DC voltmeter to 2TP28.

Applying a low input signal, set the tuning control for min. DC voltage at 2TP28.

Connect wattmeter or AC voltmeter to AF output.

Increase input signal (1 millivolt), and adjust 2L1 for max. AF output (thereafter, if required, for min. distortion).

Connect DC voltmeter between 2TP24 and 2TP25 (pins 5 and 6 of 2IC1).
Adjust 2R21 for 0 V.

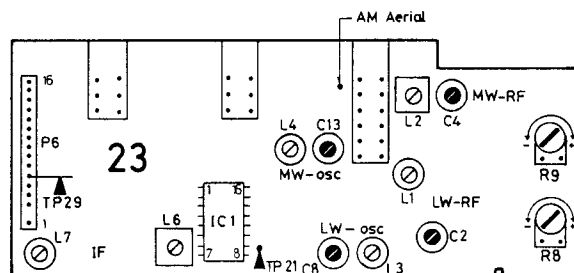
Stereo decoder

Tune in to a mono station.
Connect frequency counter to 2TP23.
Adjust 2R48 for 19 kHz \pm 50 Hz.
(2R48 may also be adjusted by applying 19 kHz from 2TP23 to the Y-input of an oscilloscope and 19 kHz from a stereo coder to the oscilloscope's X-input. When the Lissajous figure is stationary, adjustment is correct.
A third adjustment procedure consists in tuning in a stereo signal on the receiver. Turn 2R48 to one side until the stereo effect ceases and thereafter to the other side until the stereo effect ceases. The intermediate setting between these two settings is approximately the correct adjustment).
Connect stereo coder to aerial input. AFC ON.
Connect wattmeter or AC voltmeter to AF output. With 2R49 adjust for min. signal in unmodulated channel.
Adjust input signal to 30 microvolts.
Adjust 2R18 for channel separation of between 25 dB and 15 dB.

FM Level Adjustment

2R65 (left) and 2R63 (right) are factory pre-adjusted for max. output, but the AF signal from the FM section can be attenuated with these adjustments should this be found necessary.

AM-IF



Set the receiver to e.g. 575 kHz in the MW band.
Apply signal from the sweep generator to 23TP21 through 0.1 μ F, centre frequency 469.5 kHz Δ 10 kHz (the 468 kHz resonators in the circuit used provide a centre frequency of approx. 469.5 kHz \pm 1.5 kHz).
Necessary RF voltage is approx. 10 millivolts (due to IF suppression in the IC),
However, it is recommended to stop the oscillator by connecting a 0.1 μ F capacitor between pin 15 of 23IC1 and chassis potential as this will result in a considerable reduction in IF suppression. Necessary RF level will then be 100 μ V. It is recommended to use as weak a signal as possible to avoid influence from the AGC.
Connect oscilloscope to 23TP29 (pin 6 of 23IC1). Adjust 23L6 and 23L7 for maximum and symmetrical IF curve.
Remove oscillator stop.

MW Oscillator and Signal Frequency Circuits

Connect signal generator to aerial through dummy aerial 575 kHz, modulation 30% - 400 Hz or 1 kHz.
Connect wattmeter or AC voltmeter to AF output. Set receiver to 575 kHz.
With 23L4 adjust the oscillator so that the receiver is tuned exactly to the transmitter frequency. (Use weakest possible signals throughout the adjustment procedure as this will result in the most precise adjustment).
With 23L2 adjust for max. signal at AF output.
Set signal generator and receiver to 1495 kHz.
With 23C13 set oscillator to frequency.
With 23C4 adjust signal-frequency circuit for max. signal.
Repeat adjustments until dial calibration matches correctly and signal-frequency circuits is at max.
Lastly adjust 23C4.

LW Oscillator and Signal Frequency Circuits

Set signal generator and receiver to 155 kHz.

With 23L3 set oscillator to frequency.

With 23L1 adjust signal-frequency circuit for max. signal.

Set signal generator and receiver to 285 kHz.

With 23C8 set oscillator to frequency.

With 23C2 adjust signal-frequency circuit for max. signal.

Repeat adjustment until dial calibration matches correctly and signal-frequency circuit is at max.

Lastly adjust 23C2.

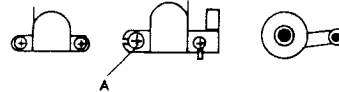
For Service Manuals Contact
MAURITRON TECHNICAL SERVICES
8 Cherry Tree Rd, Chinnor
Oxon OX9 4QY
Tel:- 01844-351694 Fax:- 01844-352554
Email:- enquiries@mauritron.co.uk

ELECTRICAL ADJUSTMENTS TAPE RECORDER

References apply to right channel (Bracketed references apply to left channel).
Electrical adjustments to be made without DOLBY NR.

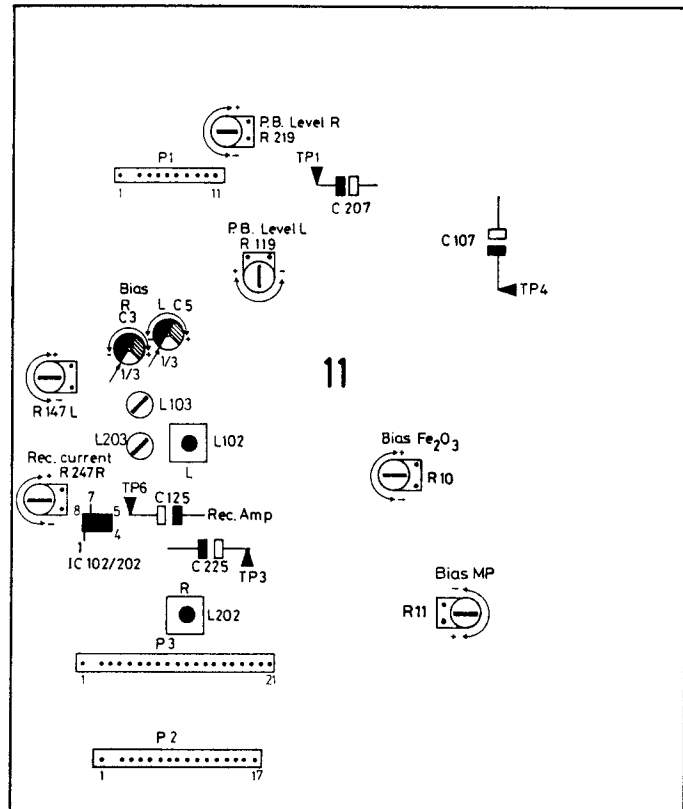
Azimuth

Demagnetise tape head and erase head.
Connect LF voltmeter to 11TP3 (11TP6).
Insert azimuth tape 6780036.



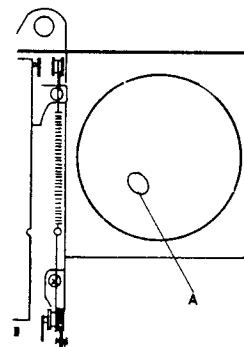
Adjust screw A for max. signal in both channels and for equal output for left and right channels (mean valut 11TP3 (11TP6)).

Playback level



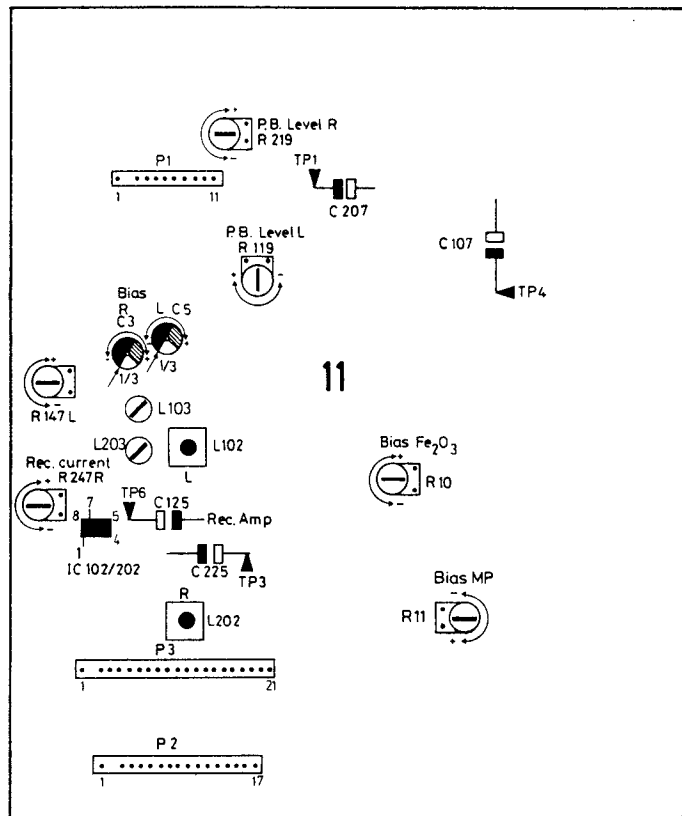
Insert Pegel tape 6780035 in cassette holder.
Connect LF voltmeter to 11TP3 (11TP6).
Adjust 11R219 (11R119) so that 725 millivolts is measured at 11TP3 (11TP6).

Speed



Insert wow tape 6780037 in cassette holder.
Connect wowmeter to 11TP3.
With potentiometer A in motor adjust for correct speed as read on the wowmeter's driftmeter.
Adjustment to be amde in the middle of the tape.

Record Boost



For Service Manuals Contact
MAURITRON TECHNICAL SERVICES
 8 Cherry Tree Rd, Chinnor
 Oxon OX9 4QY
 Tel:- 01844-351694 Fax:- 01844-352554
 Email:- enquiries@maurtron.co.uk

Insert CrO₂ tape.

Connect tone generator to tape input and set to deliver 333 Hz in the 1-Volt range.

Activate record pause.

Adjust record potentiometer so that 316 millivolts is measured at pins 1 and (7) of 11IC202 (11IC102).

Set tone generator to 10 kHz.

Adjust 11L202 (11L102) so that 1 volts is measured at pins 1 and (7) at 11IC202 (11IC102).

Bias filter

Activate Record.

Adjust 11L203 (11L103) to maximum voltage, measured across the tapehead.

Bias and Record Current CrO₂

Insert CrO₂ tape 6780040 for which bias adjustment is desired set 11R247 (11R147) to midscale and 11C3 (11C5) to one-third of full scale.

Record Current

Connect tone generator to tape input and set to deliver 333 Hz in the 1-volt range.

Activate record pause.

Adjust record potentiometer so that 200 millivolts is measured with LF voltmeter at 11TP3 (11TP6).

While recording and playing back, respectively, adjust 11R247 (11R147) so that 200 millivolts is measured at 11TP3 (11TP6) during both record and playback.

Bias

Set tone generator to deliver 333 Hz in 100-millivolt range.

Adjust record potentiometer so that approx. 25 millivolts is measured with LF voltmeter at 11TP3 (11TP6).

While recording and playing back 333 Hz and 15 kHz, respectively, adjust 11C3 (11C5) so that the level at 15 kHz is 1 dB higher than the level at 333 Hz (less bias gives treble boost; more bias gives treble cut).

Check record current.

Fe₂O₃ Bias

CrO₂ must be adjusted, and tone generator and potentiometer settings must be the same as for CrO₂ bias.

Insert Fe₂O₃ standard tape 6780043.

While recording and playing back 333 Hz and 15 kHz, respectively, adjust 11R10 for identical levels at 333 Hz and 15 kHz as measured with LF voltmeter in 11TP3.

MP Bias

CrO₂ bias must be adjusted, and tone generator and record potentiometer settings must be the same as for CrO₂ bias.

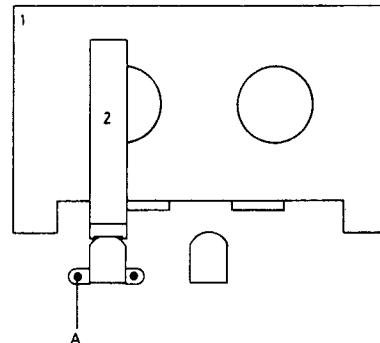
Insert MP test tape 6780059.

Activate METAL TP.

While recording and playing back 333 Hz and 15 kHz, respectively, adjust 11R11 till the level at 15 kHz is 1 dB higher than the level at 333 Hz, measured with LF voltmeter in 11TP3.

MECHANICAL ADJUSTMENTS

Erase Head Height



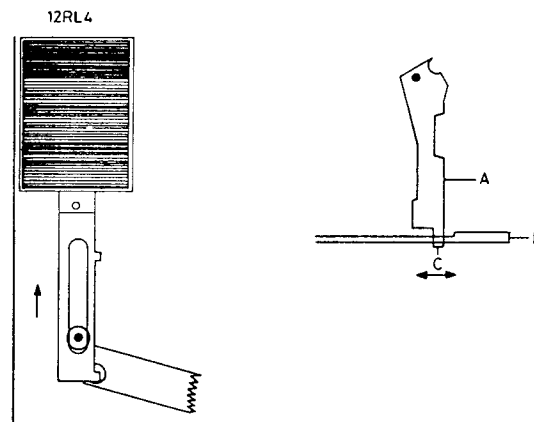
Erase head heights is adjusted with adjustment tools 1 and 2 from adjustment tool kik 3624020.

Plade adjustment tools in cassette holder as shown in sketch.

Carefully press tape head bridge in against tool 2.

With screw A adjust until tape guide goes in above tool 2.

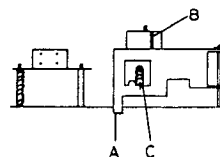
Rewind



Press armature in magnet coil 12RL4 in as far as it will go.

Clearance between arm A and arm B should then be 0.5 – 1 m. Adjustment is preformed by bending the arm A so that tag C moves in one of the directions of the arrow.

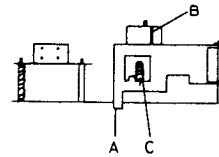
Thrust Roller Free Travel



Press tape head birdge as far as it will go. Clearance between pin A on thrust roller arm and tape head bridge should then be approx. 0.5 mm.

Adjustment is performed by bending pin A.

Thrust Roller Thrust



Activate play.

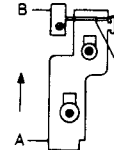
With spring balance at point B pull thrust roller back.

Carefully release thrust roller until it just touches the capstan shaft.

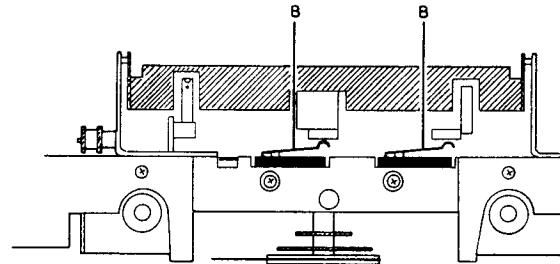
Shift spring C to one of the two notches where the spring balance reading is closest to 300 p.

Example: Spring in right-hand notch gives 280 p and spring in left-hand notch gives 330 p. Since ideal force is 300 p right-hand notch is correct adjustment.

Eject Switch

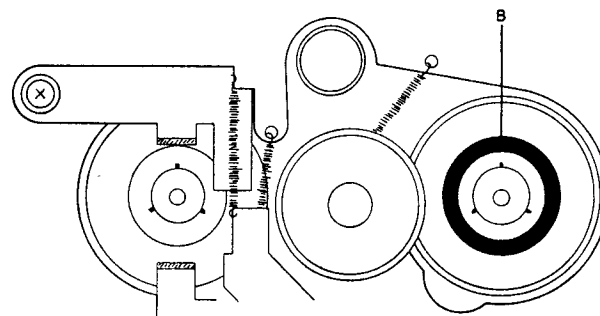


Carefully push arm A in direction of arrow, eject switch B should then open from travel of from 0.5 mm to 2 mm and before the cassette drawer releases mechanically.

Cassette Detector
Record Lock

The two switches for cassette detector and record locking are bent back at the points »B« so that the switches change-over reliably when a cassette is inserted, and will change back again when the cassette is removed.

Assembler Moment

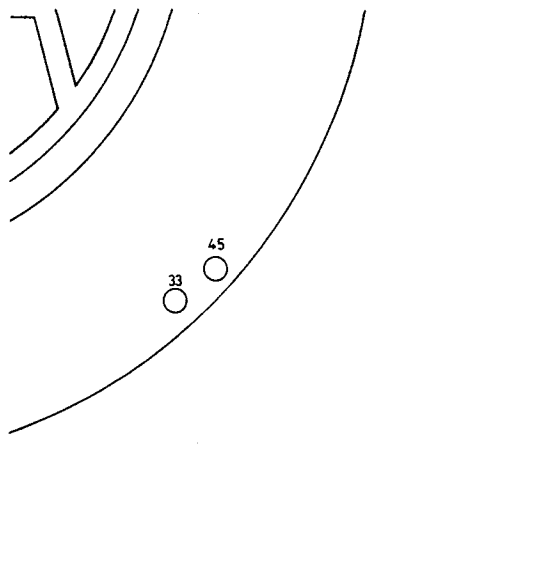


The assembler moment should be within 35/60 p/cm.

Adjustment is made by pressing the ring »B« of the assembler coil all the way down and turn it.

For Service Manuals Contact
MAURITRON TECHNICAL SERVICES
8 Cherry Tree Rd, Chinnor
Oxon OX9 4QY
Tel:- 01844-351694 Fax:- 01844-352554
Email:- enquiries@mauritron.co.uk

ADJUSTMENTS
RECORD PLAYER
Speed

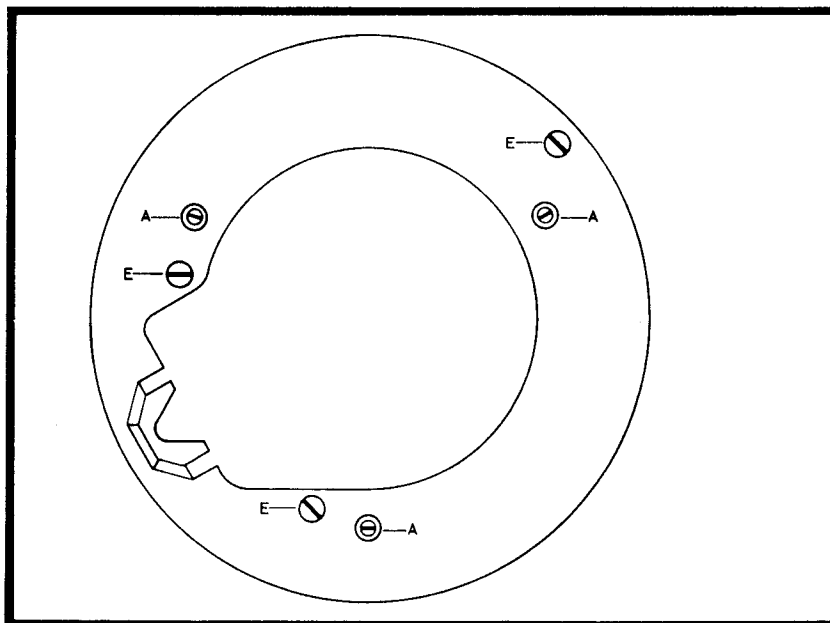


Remove the turntable so that the adjustment holes are accessible.
33 r.p.m./min. should be adjusted first. Adjust with 17R22.
45 r.p.m./min. is adjusted with 17R20.

Speed may be checked in two ways:

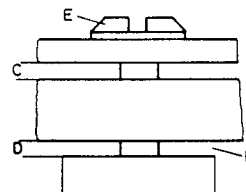
1. Stroboscope disc and lamp connected to the mains. This check gives an inaccuracy of approx. 2% because the 50 Hz mains frequency deviates approx. ± 1 Hz.
2. Stroboscope disc and stroboscope lamp's tolerance which normally is superior to that of the mains frequency.

Turntable height



For Service Manuals Contact
MAURITRON TECHNICAL SERVICES
8 Cherry Tree Rd, Chinnor
Oxon OX9 4QY
Tel: 01844-351694 Fax: 01844-352554
Email: enquiries@mauritron.co.uk

Remove covers from screws A.
Place turntable and two LP records of normal weight on the motor. The motor should then clear all three transit bushings E (see points B).
The turntable should likewise be parallel with the chassis deck, and when the two LP records are removed from the turntable, distances C and D should be approximately identical.
Adjustments are made with screws A.

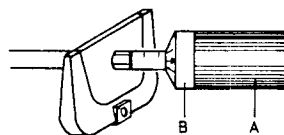


Pick-up height



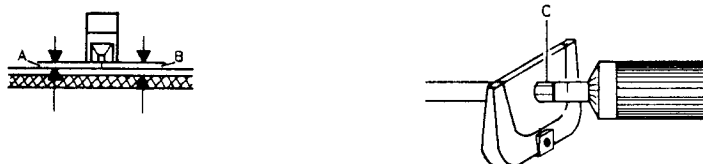
Put a record on the turntable.
 Position the pick-up arm above a run-off groove.
 Adjust screw A until the distance from the stylus to the record is 5 mms.
 This adjustment must be made with a counterbalance weight mounted.

Pick-up arm balance



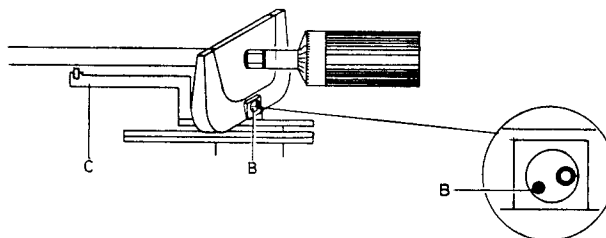
Turn the counter-balance weight until pick-up arm is in balance.
 Hold the counter-balance weight in this position and zero the dial B.
 The counter-balance weight A is turned clockwise until the dial B shows the stylus pressure required (for MMC 20" it is 1.5 grams).

Pick-up arm parallelism



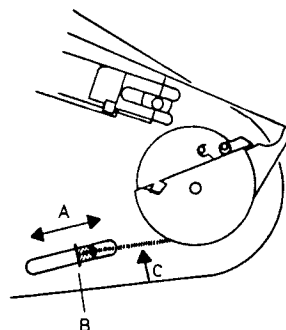
Loosen the screw C and turn the pick-up arm until the A and B clearances are equal and the straight section of the pick-up is parallel to the topside of the record.

Pick-up arm lowering



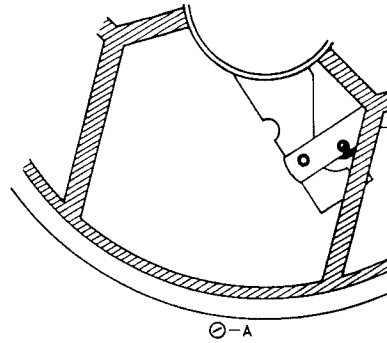
When playing a record the tap B is adjusted so that the pick-up arm positively clears the holder C.

Antiskating



Put the test record 3621045 on the turntable.
 Set stylus pressure to 1.5 grams with MMC 20S.
 Play cut 1.
 Connect an oscilloscope to the RH and LH channels.
 Push stud B in either direction of the arrow A until there is an equal distortion in both channels (for LH channel distortion, slacken spring C, tighten for RH channel distortion).

Automatic record-size mechanism



Take off turntable.

Place 60-gram weight on centre adaptor (60-gram and 20-gram weight kit 3624024).

Start turntable.

The centre adaptor should then be capable of lifting the weight, and the pick-up arm should travel in to 17-cm lowering.

Adjustment can be made with screw A. Turn screw A anticlockwise for greater lifting power and clockwise for less lifting power.

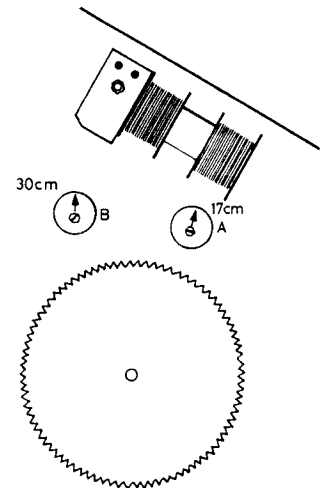
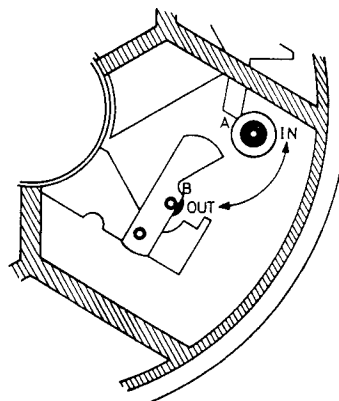
Place weights of 60 and 20 grams on the center adaptor.

Start turntable.

The centre adaptor should then be incapable of lifting the weights, and the pick up arm should travel in to 30-cm lowering.

Adjustment should likewise be made with screw A.

Pick-up arm lowering



For Service Manuals Contact
MAURITRON TECHNICAL SERVICES
 8 Cherry Tree Rd, Chinnor
 Oxon OX9 4QY
 Tel: 01844-351694 Fax: 01844-352554
 Email: enquiries@mauritron.co.uk

Pick-up arm lowering can be adjusted both from above and from below.

The adjustment described here is made from above.

Take 60-gram weight on centre adaptor.

Start turntable.

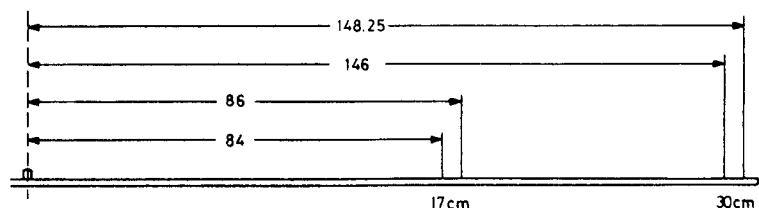
With eccentric A adjust until pick-up arm lowers inside the field marked 17 cm in the accompanying drawing.

Place 60- and 20-gram weights on the centre adaptor.

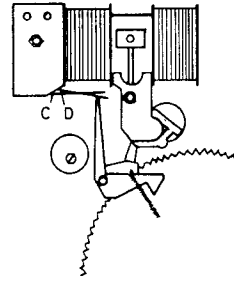
Start turntable.

With eccentric B adjust until the pick-up arm lowers inside the field marked 30 cm in the accompanying drawing.

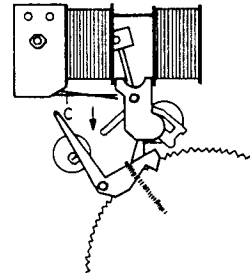
When making the adjustment from below, a single record (17 cm) and an LP record (30 cm) may be used instead of weights.



Motor switch (15RL1)



When the Motor switch is open (the armature of the mechanical relay in its mid-position) the clearance between the C and D sections of the switch should be 0.5 – 1 mm. This is adjusted by bending the D-section of the switch.



When the Motor switch is closed, the C-section of the switch should press at approx. 15 p in the direction of the arrow. This is adjusted by bending the C-section of the switch.

TECHNICAL SPECIFICATIONS Amplifier

Power output RMS DIN	2 x 40 watts/4 ohms
	2 x 30 watts/3 ohms
Power output 20-20.000 Hz	2 x 30 watts/4 ohms
	2 x 25 watts/8 ohms
Harmonic distortion -26 dB	<0.1%
Harmonic distortion	<0.1%
Intermodulation	<0.3%
Frequency range ± 1.5 dB	20-30.000 Hz
Power bandwidth	10-50.000 Hz
Damping factor	>25
Input tape copy	150 mV/470 kohms
Input microphone	0.1 mV/470 ohms
Signal-to-noise ratio phono	>82 dB
Signal-to-noise ratio tape	>82 dB
Channel separation 1000 Hz	>50 dB
250-10.000 Hz	>35 dB
Output headphones	Max. 20V/200 ohms
Bass control at 40 Hz	± 11 dB
Treble control at 12.500 Hz	± 11 dB

FM

FM range	87.5-108 MHz
FM aerial impedance	75/240 ohms
FM sensitivity stereo 46 dB	<25 μ V/75 ohms
Frequency range ± 15 dB	20-15.000 Hz
Harmonic distortion	<0.4%
Stereo channel separation	>35 dB

AM

AM sensitivity LW/MW	<100/80 μ V (only type 1804)
----------------------	----------------------------------

Record player

Pickup	MMC 20 E
Stylus	Elliptical diamond
Radius of curvature	5 x 17 μ m
Frequency range	20-20.000 Hz ± 2.5 dB
Channel separation 1000 Hz	>20 dB
400-10.000 Hz	>15 dB
Channel difference	<2 dB
Recommended stylus pressure	15 mN/1.5 gram
Compliance	20 μ m/mN
Effective tip mass	0.5 mg
Sensitivity mV/cm/sec.	>0.6 mV/47 kohms
Output 5 cm lateral	>2.12 mV/47 kohms
Tonearm	Radial
Antiskating	Integrated
Stylus pressure range	0-2 gram
Speeds	33-45 rpm.
Wow and flutter, DIN	< $\pm 0.09\%$
Wow and flutter, WRMS	< $\pm 0.045\%$
Rumble weighted	>65 dB
Rumble unweighted	>45 dB
Speed deviation	<0.5%
Motor	Servo controlled DC

Tape Recorder

Compact cassette	C60-C90
Tapehead	Sendust
Noise reduction	Dolby NR
Tape switch	Aut. ferro/chrom, manual metal
Wow and flutter	< $\pm 0.15\%$

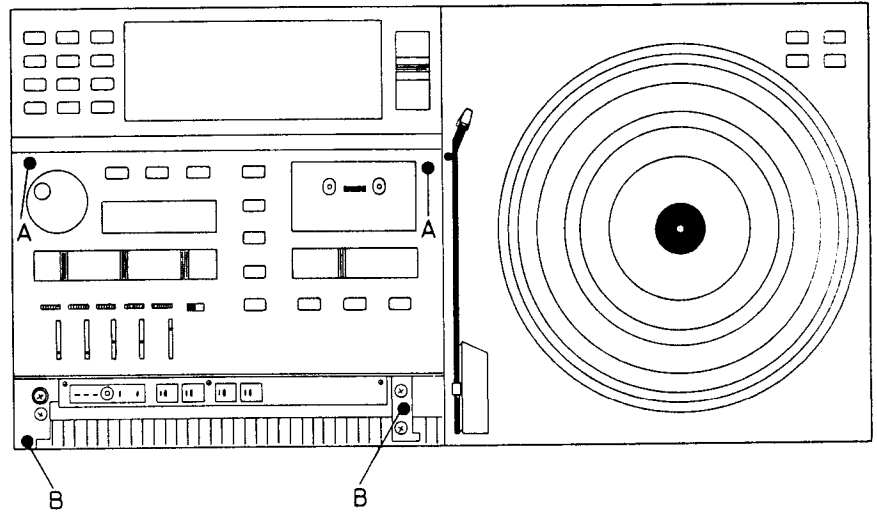
For Service Manuals Contact
MAURITRON TECHNICAL SERVICES
 8 Cherry Tree Rd, Chinnor
 Oxon OX9 4QY
 Tel: 01844-351694 Fax: 01844-352654
 Email: enquiries@mauratron.co.uk

Other Data

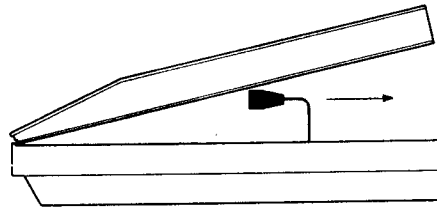
Speed deviation	<±1.5%
Fast forward rewind C60	70 sec.
Frequency range chrom metal	30-16.000 Hz
Signal-to-noise ratio chrom Dolby	>64 dB Metal >66 dB
Signal-to-noise ratio chrom	>57 dB Metal >59 dB
Erasure	>70 dB
Power supply	110-130-220-240 volts
Frequency	50-60 Hz
Power consumption	20-250 watts
Dimensions W x H x D	72 x 9.5 x 38 cm
Weight	16.5 kg

Subject to change without notice

DISMANTLING
Operation section

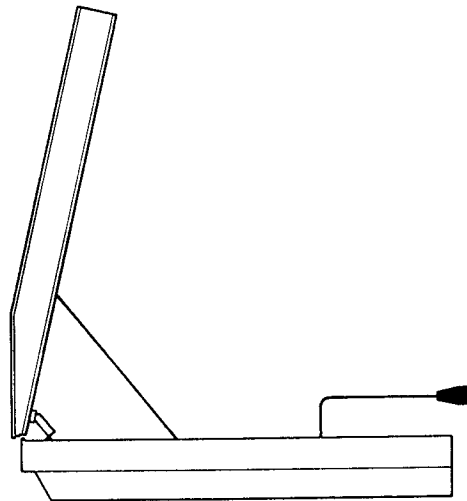


Remove screws A and B. Lift the back edge of the unit approx. 10 cms (4") and disconnect the internal connections for loudspeakers and aerial.



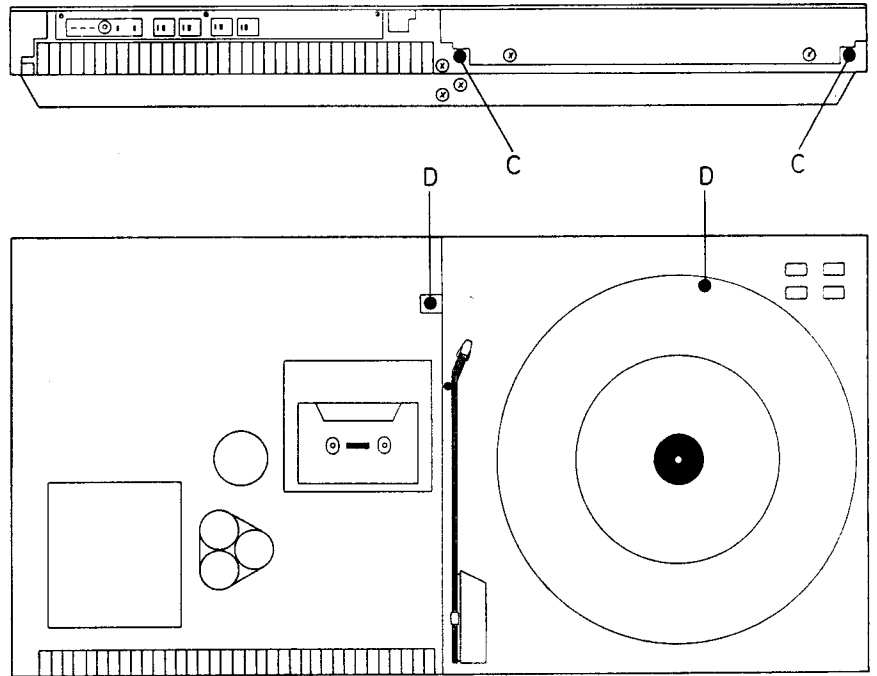
The operation chassis can now be lifted into servicing position on the support mounted on the inside of the cabinet.

For Service Manuals Contact
MAURITRON TECHNICAL SERVICES
8 Cherry Tree Rd, Chinnor
Oxon OX9 4QY
Tel: 01844-351634 Fax: 01844-352564
Email: enquiries@mauritron.co.uk



The loudspeakers can be connected direct to the wires from the output amplifier.

Record player section



Remove screws C and D when the operating section has been lifted into servicing position. Now lift the back of the record player into servicing position just like the control section.

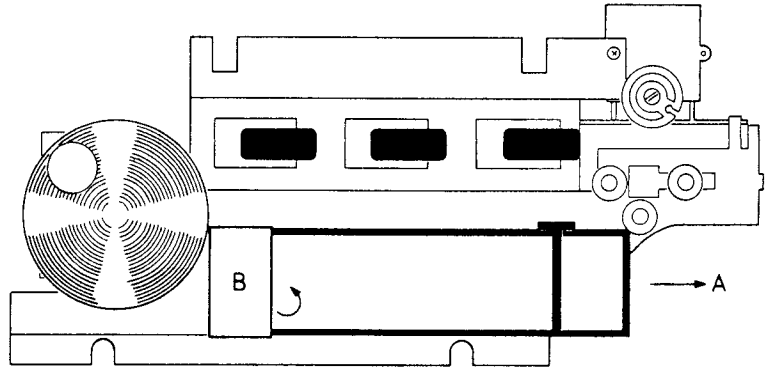
SERVICE TIPS

Measurement of defective output amplifier

Should a fault arise in an output amplifier resulting in DC on the loudspeaker output, the fault switch circuit will put the set in STAND-BY. The connected loudspeakers must then be disconnected and the set can now be turned on and measurements be made unless there is a direct short-circuit in the output transistors.

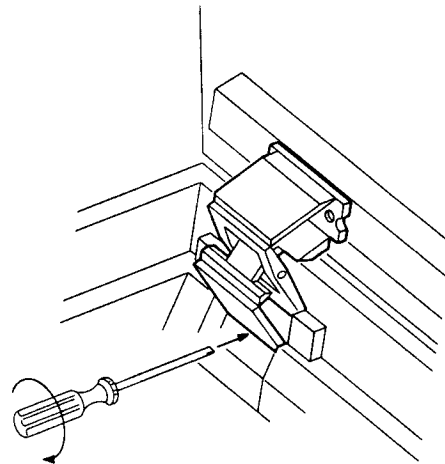
Replacing dial lamp

The AM module is removed. The dial housing is pushed in the direction of the arrow (A). The cover (B) can now be opened and the lamp replaced.



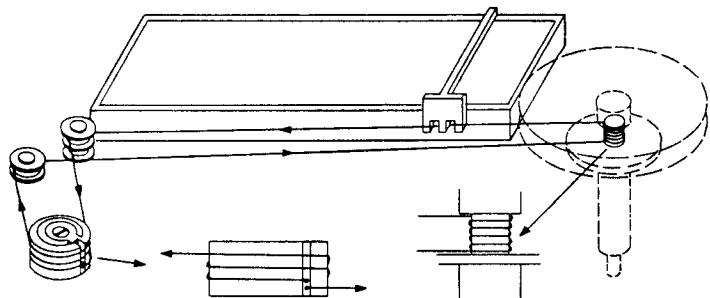
After replacement the dial housing is pushed back into its original position.

Removal of servicing hinges



If removal of the operation chassis and the record player chassis is required, the hinges can be removed by twisting with a broad and strong screwdriver under the hinge.

Dial drive

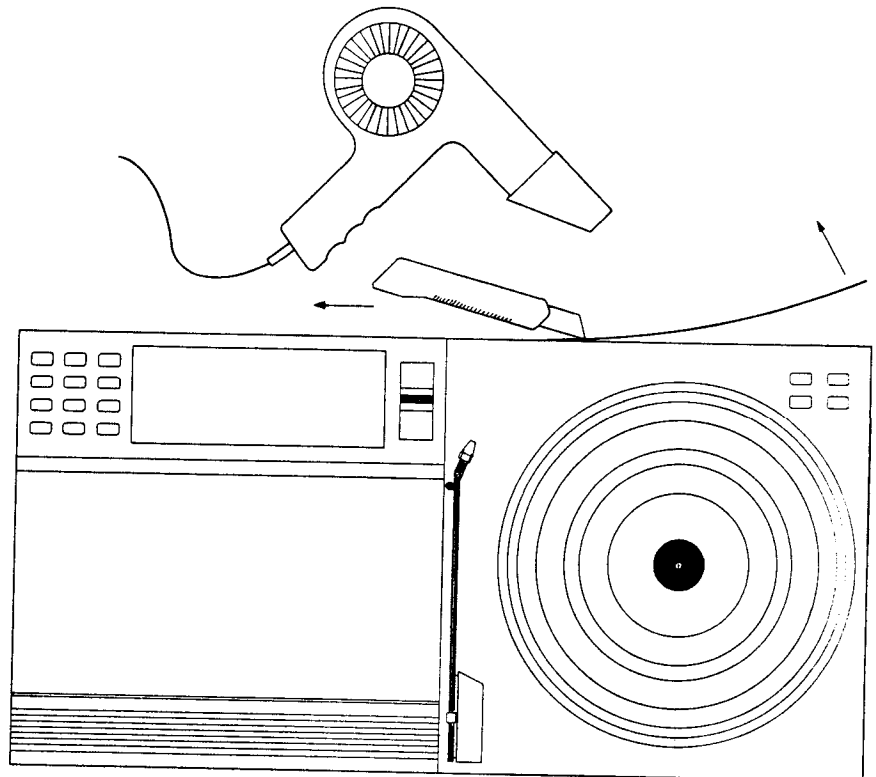


Dial cord (index No. 3955016) is cut off at a length of approx. 60 cms (23½") and knotted at both ends with 55 cm (21¾") between the knots. The tuning capacitor is turned counter clockwise and the cord is fitted as shown in the drawing.

For Service Manuals Contact
MAURITRON TECHNICAL SERVICES
 8 Cherry Tree Rd, Chinner
 Oxon OX9 4DY
 Tel: 01844-351694 Fax: 01844-352554
 Email: enquiries@mauritron.co.uk

Cabinet repairs and panel replacement

The cabinet kit consists of a set of veneer panels with a back coat of self-adhesive tape and protective paper.



For Service Manuals Contact
MAURITRON TECHNICAL SERVICES
 8 Cherry Tree Rd, Chinnor
 Oxon OX9 4QY
 Tel:- 01844-351094 Fax:- 01844-352554
 Email:- enquiries@mauritron.co.uk

The easiest way to remove the old panels is to heat them with a hot air blower (hair drier) and slowly to peel the old veneer panels off. It is advisable to follow with a Stanley-type knife along the edge of the foam chassis while peeling the veneer off.

If the adhesive coat is intact after panel removal the new panels may be fitted direct on top of the old coat of adhesive. If, however, the old coat is rough it must be removed with benzine prior to the fitting of the new panels.

The side panels must be stuck on first and in such a way that they flush with the front edge. The front panel must be stuck on so that one corner fits the side panel after the mounting, the second corner must be cut flush by using a sharp Stanley-type knife or a mortise chisel.

Wow frequencies

Frequency	Source of Failure	pos. No.
1,1 Hz	Thrust roller	12049
1,3 Hz	Take-up reel	12044
4,3 Hz	Drive belt	12162
4,5 Hz	Take up belt	12140
5,2 Hz	Idler wheel	12041
6,0 Hz	Flywheel	12161
11,8 Hz	Cluth	12135
36,5 Hz	Pulley	12101

INSULATION TEST

Insulation test for Beocenter 5000

Each set **must** be insulation tested after dismantling. The test is to be performed when the set has been re-assembled and is ready for delivery to the customer.

Make the insulation test as follows:

Short-circuit the two plug pins of the mains plug and connect one of the terminals of the insulation tester. Connect the other terminal of the insulation tester to the chassis pin of one of headphone sockets.

N.B.!

To avoid rouining the set, it is essential that both insulator test terminals are in really good mechanical contact.

Now turn slowly the voltage control of the insulation tester until a voltage of 1.5 – 2 kV is obtained. Hold it there for 1 second, then turn slowly the voltage down again.

At no point during the testing procedure any flash-over are permissible.

For Service Manuals Contact
MAURITRON TECHNICAL SERVICES
8 Cherry Tree Rd, Chinnor
Oxon OX9 4QY
Tel: 01844-351634 Fax: 01844-352654
Email: enquiries@mauritron.co.uk